



Chipsmall Limited consists of a professional team with an average of over 10 year of expertise in the distribution of electronic components. Based in Hongkong, we have already established firm and mutual-benefit business relationships with customers from,Europe,America and south Asia,supplying obsolete and hard-to-find components to meet their specific needs.

With the principle of “Quality Parts,Customers Priority,Honest Operation,and Considerate Service”,our business mainly focus on the distribution of electronic components. Line cards we deal with include Microchip,ALPS,ROHM,Xilinx,Pulse,ON,Everlight and Freescale. Main products comprise IC,Modules,Potentiometer,IC Socket,Relay,Connector.Our parts cover such applications as commercial,industrial, and automotives areas.

We are looking forward to setting up business relationship with you and hope to provide you with the best service and solution. Let us make a better world for our industry!



Contact us

Tel: +86-755-8981 8866 Fax: +86-755-8427 6832

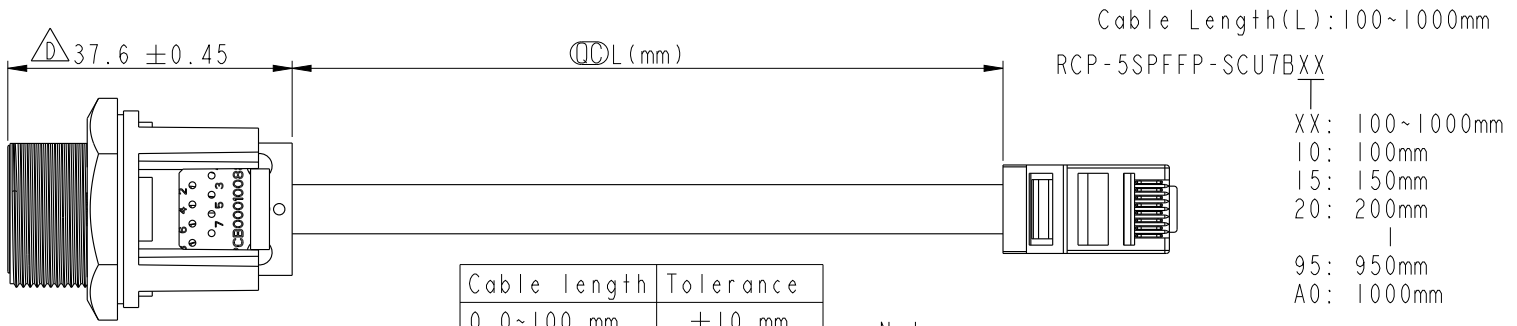
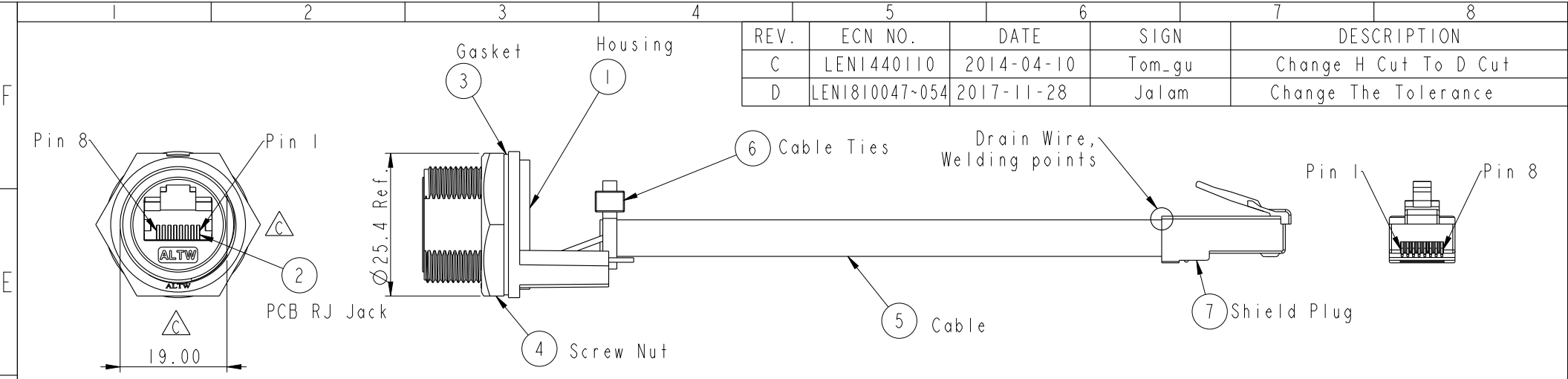
Email & Skype: info@chipsmall.com Web: www.chipsmall.com

Address: A1208, Overseas Decoration Building, #122 Zhenhua RD., Futian, Shenzhen, China



THIS DOCUMENT IS SUBJECT TO CHANGE WITHOUT NOTICE. IT IS CONFIDENTIAL AND A PROPERTY OF Amphenol LTW. DISCLOSURE TO THIRD PARTY HAS TO BE AUTHORIZED BY Amphenol LTW.

REV.	ECN NO.	DATE	SIGN	DESCRIPTION
C	LEN1440110	2014-04-10	Tom_gu	Change H Cut To D Cut
D	LEN1810047~054	2017-11-28	Jalam	Change The Tolerance



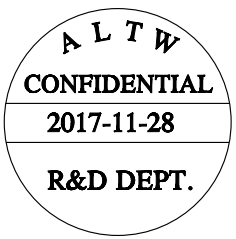
Cable Length(L): 100~1000mm

RCP-5SPFFP-SCU7BXX

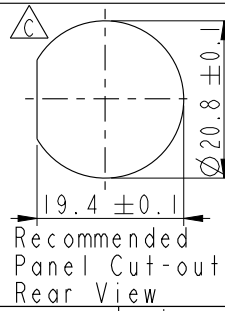
XX: 100~1000mm
10: 100mm
15: 150mm
20: 200mm
95: 950mm
A0: 1000mm

Cable length	Tolerance
0.0~100 mm	±10 mm
101~300 mm	±15 mm
301~1000 mm	±20 mm

- Note:
- * \varnothing Important Dimension
 - * Waterproof Rate : IP67 Unmated
 - * Housing : Nylon+GF, UL 94V-0, BLACK
 - * Screw Nut : Nylon+GF, BLACK
 - * Gasket : Silicone, UL 94V-0, Gray.
 - * PCB: FR-4
 - * Jack : PBT Polyester UL 94V-0
 - * Use without Waterproof cap or Dust cap
For Panel Thickness Max: 4.2mm
 - * Use with Waterproof cap or Dust cap
For Panel Thickness Max: 3.0mm
 - * Screw torsion value range: 8~12kgf-cm



Shield	Drain Wire	接地線	Shield	
8	Brown	棕	8	Twist
7	White/Brown	白/棕	7	
6	Green	綠	6	Twist
5	White/Blue	白/藍	5	
4	Blue	藍	4	Twist
3	White/Green	白/綠	3	
2	Orange	橘	2	Twist
1	White/Orange	白/橘	1	
Jack	Wire Color	Plug		
Pin Out				



UNIT: mm TOLERANCE .X ±0.25 .XX ±0.1 .XXX ±0.05 ANGLES ±1°	TITLE RJ45, C SIZE, UNMATED WATERPROOF			<h1 style="text-align: center;">Amphenol LTW</h1> <h2 style="text-align: center;">安費諾亮泰企業股份有限公司</h2>		ITEM NO	DRAWN BY	DATE	
	SCALE	SIZE	SHEET			OF	DWG NO	CHECKED BY	DATE
	REV.	WC-REV.	\varnothing : Inspection item			CUSTOMER	APPROVED BY	DATE	
						ALTW	Jalam	2017-11-28	
							Feng_Li	2017-11-28	
							Jerry	2017-11-28	