



Chipsmall Limited consists of a professional team with an average of over 10 year of expertise in the distribution of electronic components. Based in Hongkong, we have already established firm and mutual-benefit business relationships with customers from,Europe,America and south Asia,supplying obsolete and hard-to-find components to meet their specific needs.

With the principle of “Quality Parts,Customers Priority,Honest Operation,and Considerate Service”,our business mainly focus on the distribution of electronic components. Line cards we deal with include Microchip,ALPS,ROHM,Xilinx,Pulse,ON,Everlight and Freescale. Main products comprise IC,Modules,Potentiometer,IC Socket,Relay,Connector.Our parts cover such applications as commercial,industrial, and automotives areas.

We are looking forward to setting up business relationship with you and hope to provide you with the best service and solution. Let us make a better world for our industry!



## Contact us

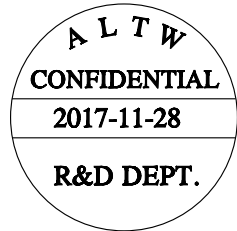
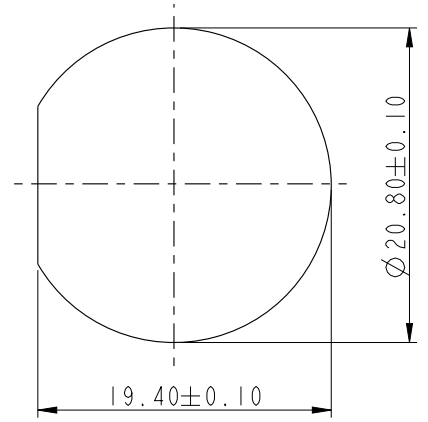
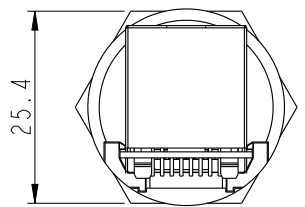
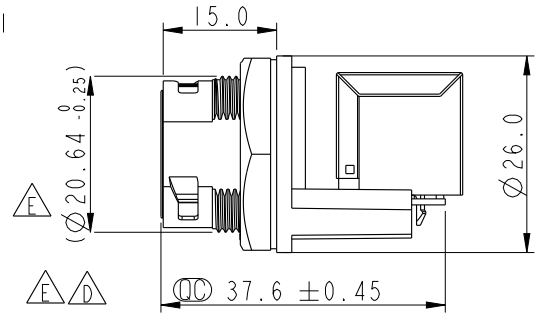
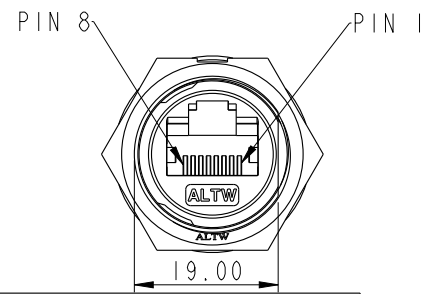
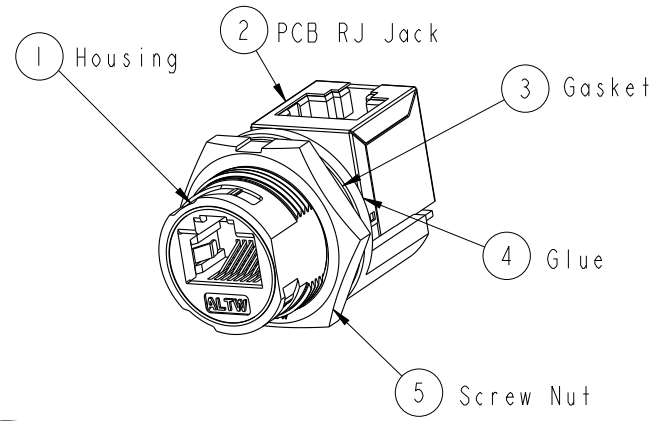
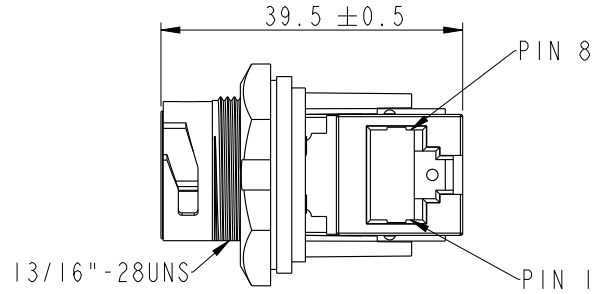
Tel: +86-755-8981 8866 Fax: +86-755-8427 6832

Email & Skype: info@chipsmall.com Web: www.chipsmall.com

Address: A1208, Overseas Decoration Building, #122 Zhenhua RD., Futian, Shenzhen, China



REV.	ECN NO.	DATE	SIGN	DESCRIPTION
D	LEN1490061	2014-08-07	Feng_Li	Change Size
E	LEN1810039	2017-11-28	Jalam	Change The Tolerance



- Note:
- \*  $\text{CC}$  Important Dimension
  - \* Waterproof Rate : IP67 Unmated
  - \* Housing : Nylon+GF,UL 94V-0,BLACK
  - \* Screw Nut : Nylon+GF,BLACK
  - \* Gasket : Silicone,UL 94V-0,Gray.
  - \* PCB: FR-4
  - \* Jack : PBT Polyester UL 94V-0
  - \* Use without Waterproof cap or Dust cap  
For Panel Thickness Max: 3.0mm
  - \* Use with Waterproof cap or Dust cap  
For Panel Thickness Max: 1.8mm
  - \* Screw torsion value range: 8~12kgf-cm

UNIT : mm		
TOLERANCE	.X ±0.25	
.XX	±0.1	
.XXX	±0.05	
ANGLES	±1°	

TITLE RJ45,C SIZE,WATERPROOF			
SCALE 1:1	SIZE A4	SHEET 1 OF 1	
REV. E	WC-REV. B.4	$\text{CC}$ : Inspection item	

**Amphenol LTW**  
安費諾亮泰企業股份有限公司

ITEM NO RCP-5SPFFV-TCU7001	DRAWN BY Jalam	DATE 2017-11-28
DWG NO RCP-5SPFFV-TCU7001	CHECKED BY Feng_Li	DATE 2017-11-28
CUSTOMER ALTW	APPROVED BY Jerry	DATE 2017-11-28

THIS DOCUMENT IS SUBJECT TO CHANGE WITHOUT NOTICE. IT IS CONFIDENTIAL AND A PROPERTY OF AMPHENOL LTW. DISCLOSURE TO THIRD PARTY HAS TO BE AUTHORIZED BY AMPHENOL LTW.