



Chipsmall Limited consists of a professional team with an average of over 10 year of expertise in the distribution of electronic components. Based in Hongkong, we have already established firm and mutual-benefit business relationships with customers from,Europe,America and south Asia,supplying obsolete and hard-to-find components to meet their specific needs.

With the principle of “Quality Parts,Customers Priority,Honest Operation,and Considerate Service”,our business mainly focus on the distribution of electronic components. Line cards we deal with include Microchip,ALPS,ROHM,Xilinx,Pulse,ON,Everlight and Freescale. Main products comprise IC,Modules,Potentiometer,IC Socket,Relay,Connector.Our parts cover such applications as commercial,industrial, and automotives areas.

We are looking forward to setting up business relationship with you and hope to provide you with the best service and solution. Let us make a better world for our industry!



Contact us

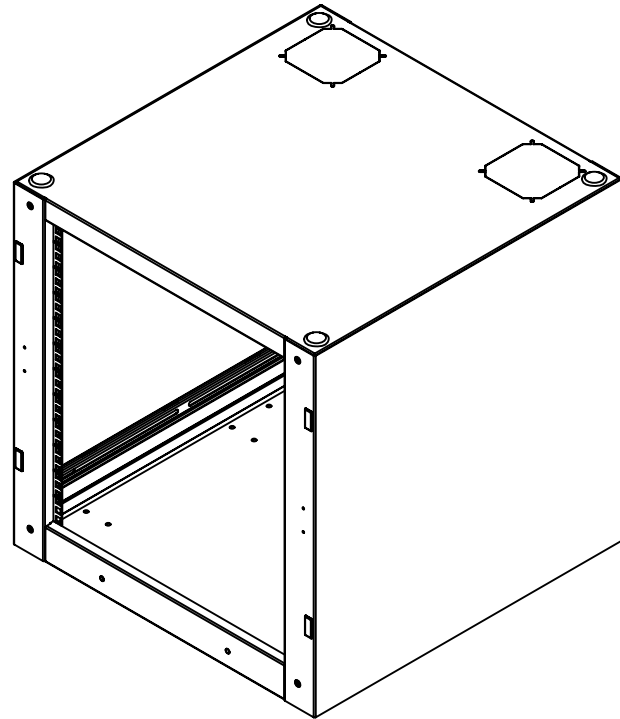
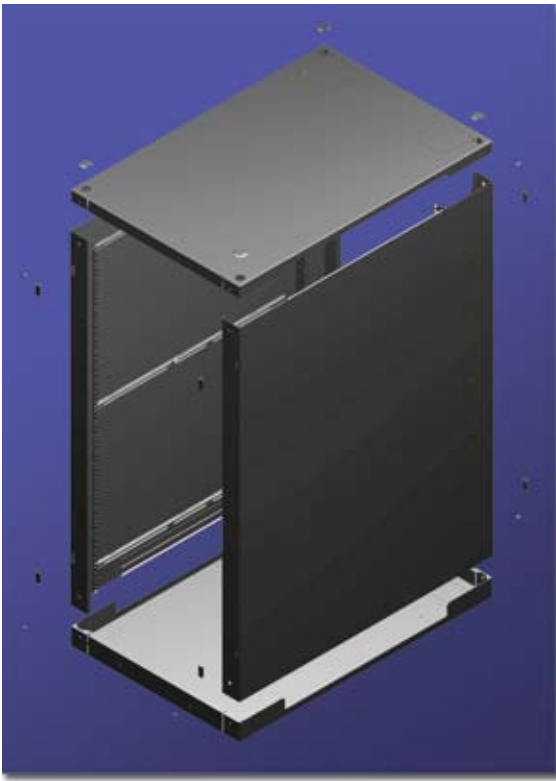
Tel: +86-755-8981 8866 Fax: +86-755-8427 6832

Email & Skype: info@chipsmall.com Web: www.chipsmall.com

Address: A1208, Overseas Decoration Building, #122 Zhenhua RD., Futian, Shenzhen, China



SOHO Rack Cabinet (RCSC Series)



[For complete drawing information link here to our website covering this series.](#)

FEATURES

Knockdown

- Perfect for SOHO (Small Office, Home Office) applications for servers, storage & networking.
- Supplied unassembled (four cabinet pieces & four rails), requires only a phillips screwdriver to assemble.
- Simple assembly using one bolt in each corner to lock the sides to the top and bottom (hardware included) - see assembly instructions.
- Shipped in a flat pack container for handling ease & protection (see photo below).
- Heavy duty construction, 16-gauge steel, 19" rack mount cabinet.
- Choice of two panel heights 21" (12U) or 42" (24U) panel height.
- The 21" 12U version is 25" high overall (no casters) and is designed to fit under most desks.
- Expandable in the future - easily stacks and/or gangs to other RCSC units (see accessories). Requires buying kit (RCSCBAY) to lock cabinets together.
- Panel rails are custom made, 14 gauge steel - infinitely adjustable (front to back), square hole punched for cage-nuts to full EIA hole centers (5/8 - 5/8 - 1/2 inch spacing), painted with smooth black powder paint.
- Includes two pairs of panel rails (for rear support of heavier equipment), a starter pack of (50) 10-32 cagenuts & matching 1421ABK black screws.
- Overall width of 24" (610 mm) provides ample space for most cabling requirements.
- Generous cable-entry "punch-outs" with gasket strip material included.
- Optional doors (three versions available), fans and casters (see accessories).
- Perforated door suggested for most server applications. Perforated doors meet server manufacturer Free-Air-Ratio (FAR) requirements of 65%.
- Front & back lip is .75" (19.1 mm) so usable depth is reduced by 1.5" (38.1 mm).
- Recommended maximum weight - 1,500 pounds (682 kg).
- Rugged textured black powder paint finish.

SOHO Rack Cabinet (RCSC Series)

24.5" (622 mm) Deep Usable Mounting Depth = 23" (584 mm)

Part Number	Panel Height		Overall Dimensions			Weight
	Inches	Units	Height (No Casters)	Width	Depth	
RCSC1902124BK1	21.00	12U	25.28" (642 mm)	24.0" (610 mm)	24.5" (622 mm)	86# (39.1 kg)
RCSC1904224BK1	42.00	24U	46.28" (1,176 mm)	24.0" (610 mm)	24.5" (622 mm)	120# (54.5 kg)

31.5" (800 mm) Deep Usable Mounting Depth = 30.0" (762 mm)

Part Number	Panel Height		Overall Dimensions			Weight
	Inches	Units	Height (No Casters)	Width	Depth	
RCSC1902131BK1	21.00	12U	25.28" (642 mm)	24.0" (610 mm)	31.5" (800 mm)	100# (45.5 kg)
RCSC1904231BK1	42.00	24U	46.28" (1,176 mm)	24.0" (610 mm)	31.5" (800 mm)	145# (65.9 kg)

36" (914 mm) Deep - Extended Rear Cable Space Version Usable Mounting Depth = 30.0" (762 mm)

Part Number	Panel Height		Overall Dimensions			Weight
	Inches	Units	Height (No Casters)	Width	Depth	
RCSC1902136BK1	21.00	12U	25.28" (642 mm)	24.0" (610 mm)	36.0" (914 mm)	110# (50.0 kg)
RCSC1904236BK1	42.00	24U	46.28" (1,176 mm)	24.0" (610 mm)	36.0" (914 mm)	135# (61.4 kg)

RCSC SERIES ACCESSORIES

Locking Doors

- Doors are available in three versions. Perforated (to meet server manufacturer Free-Air-Ratio (FAR) requirements of 65%), solid and vented versions.
- Doors can be added later even if rack is fully loaded - as mounting uses a unique "snap-in" secure hinge mount from the outside.
- Rack assembly screws are behind the door for complete security.
- 16-gauge steel construction.
- Front & back of "RCSC" rack cabinet is pre-punched to accept these doors. Includes mounting hardware.
- Mounts either right or left hand hinge (door & cabinet are symmetrical).
- Includes installed lock and two keys
- Finished in rugged textured black powder paint.

Part Number	Description
RCSC19021PDBK1	12U Perforated Door & lock
RCSC19021SDBK1	12U Solid Door & lock
RCSC19021VDBK1	12U Vented Door & lock
RCSC19042PDBK1	24U Perforated Door & lock
RCSC19042SDBK1	24U Solid Door & lock
RCSC19042VDBK1	24U Vented Door & lock

Castors (Sold in sets of four)

Part Number	Rated Weight Load	Description
1425P	400# (182 kg)	Light Duty (stem mount)
1425BH	1,050# (477 kg)	Heavy Duty (four bolt mount)

RSRC Option Kits

Part Number	Description
RCSCATIP	Anti-Tip brackets - mount to front (or back) of unit
RCSCBAY	Required to connect two RCSC units together - allows units to be stacked vertically or ganged horizontally.
RCSCFAN	2 (two) 115 VAC fan kit with power cord

UNIVERSAL ACCESSORIES

- Rack panels [Page 90](#)
- Ventilated rack panels [Page 92](#)
- Panel mount doors & chassis [Page 94](#)
- Shelves & slides [Page 95](#)
- Drawers [Page 101](#)
- Cable management [Page 102](#)
- Cooling & ventilating [Page 105](#)
- Rack mount outlet strips [Page 110](#)
- Hardware [Page 127](#)
- Visit our web site for our most [recent accessories](#)

EUROPE

Basingstoke, UK 01256 812812

AUSTRALIA

Queenstown SA, Australia 61-8-8240-2244



CANADA

Guelph, Ontario (519) 822-2960
St. Laurent, Quebec (514) 343-9010

USA

Cheektowaga, NY (716) 630-7030

