



Chipsmall Limited consists of a professional team with an average of over 10 year of expertise in the distribution of electronic components. Based in Hongkong, we have already established firm and mutual-benefit business relationships with customers from,Europe,America and south Asia,supplying obsolete and hard-to-find components to meet their specific needs.

With the principle of “Quality Parts,Customers Priority,Honest Operation,and Considerate Service”,our business mainly focus on the distribution of electronic components. Line cards we deal with include Microchip,ALPS,ROHM,Xilinx,Pulse,ON,Everlight and Freescale. Main products comprise IC,Modules,Potentiometer,IC Socket,Relay,Connector.Our parts cover such applications as commercial,industrial, and automotives areas.

We are looking forward to setting up business relationship with you and hope to provide you with the best service and solution. Let us make a better world for our industry!



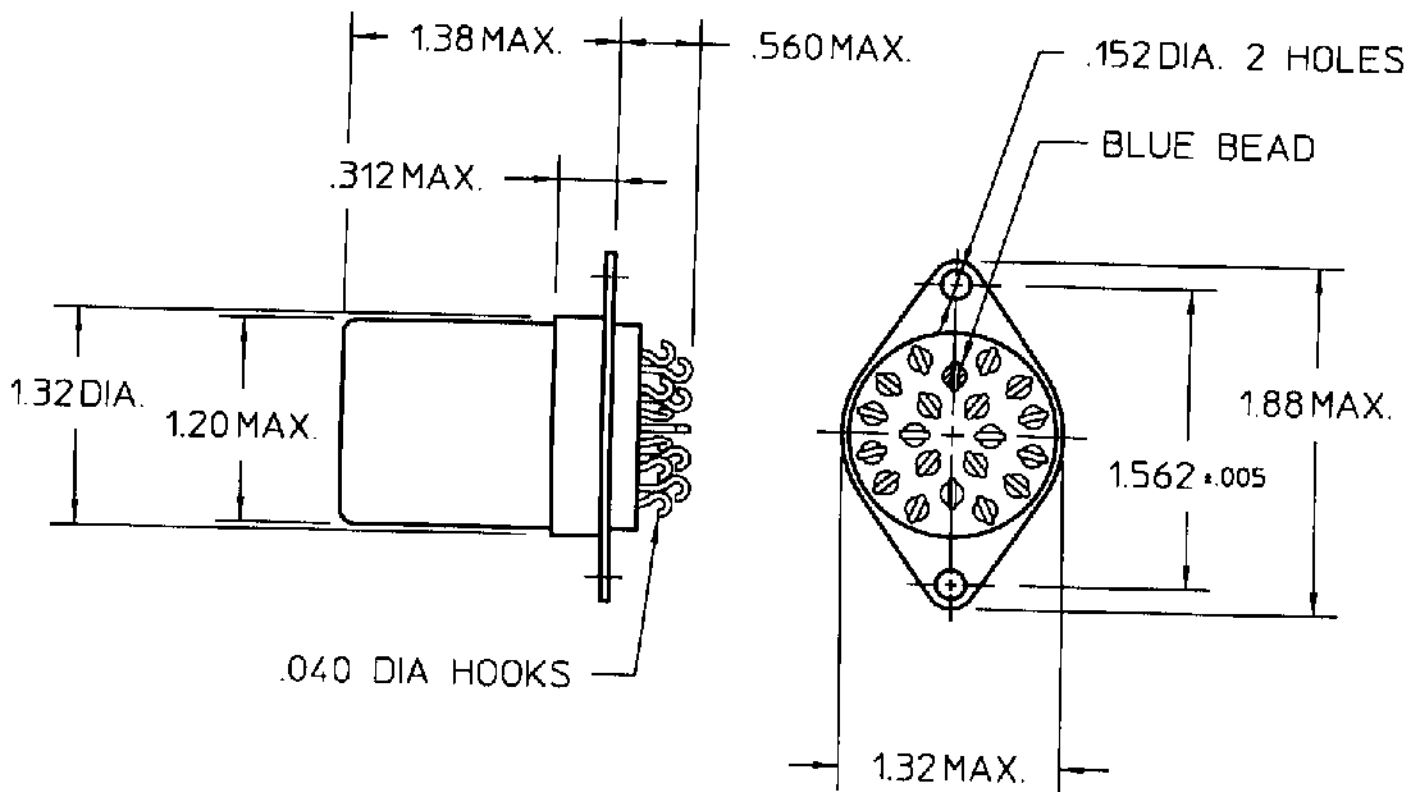
Contact us

Tel: +86-755-8981 8866 Fax: +86-755-8427 6832

Email & Skype: info@chipsmall.com Web: www.chipsmall.com

Address: A1208, Overseas Decoration Building, #122 Zhenhua RD., Futian, Shenzhen, China



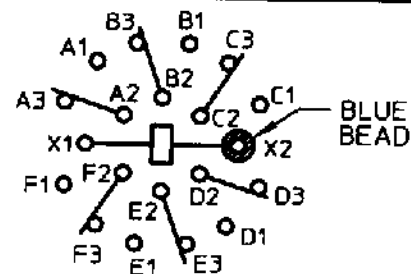


TOL = ± .010

REV. 2 1/20/98

COIL: @ 25°C	
RESISTANCE	200 OHMS ± 10%
NOMINAL VOLTAGE	26.5 VDC
MUST OPERATE	13.0 VDC
MUST RELEASE	10.1 VDC MAX, 2.3 VDC MIN.

CUSTOMER DATA SHEET



ENVIRONMENT:

VIBRATION 10 Hz TO 2000 Hz @ 20 g's
 SHOCK 100 g's 6 MS. DURATION
 TEMPERATURE -65 °C TO +125 °C

CONTACT RATING: 30 MICROAMPS
30 MILLIVOLTS DC OR PEAK AC
100,000 OPERATIONS MIN.

NOTES: OPERATE & RELEASE 15 MS MAX.
CONTACT BOUNCE 5 MS MAX.

DR. R.B. 8/8/90 CK/V2 JRB/gms

COMMUNICATIONS INSTRUMENTS, INC.

CUST. OPL
 CUST. NO. M5757/1-021

TYPE "RD" RELAY

RD6CAH2600