



Chipsmall Limited consists of a professional team with an average of over 10 year of expertise in the distribution of electronic components. Based in Hongkong, we have already established firm and mutual-benefit business relationships with customers from,Europe,America and south Asia,supplying obsolete and hard-to-find components to meet their specific needs.

With the principle of “Quality Parts,Customers Priority,Honest Operation,and Considerate Service”,our business mainly focus on the distribution of electronic components. Line cards we deal with include Microchip,ALPS,ROHM,Xilinx,Pulse,ON,Everlight and Freescale. Main products comprise IC,Modules,Potentiometer,IC Socket,Relay,Connector.Our parts cover such applications as commercial,industrial, and automotives areas.

We are looking forward to setting up business relationship with you and hope to provide you with the best service and solution. Let us make a better world for our industry!



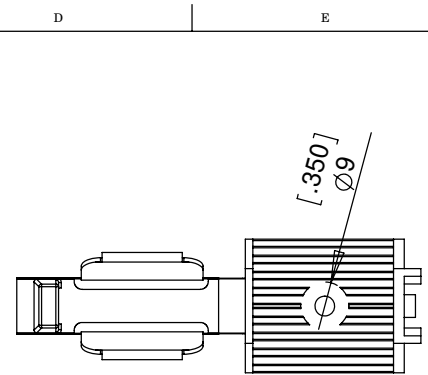
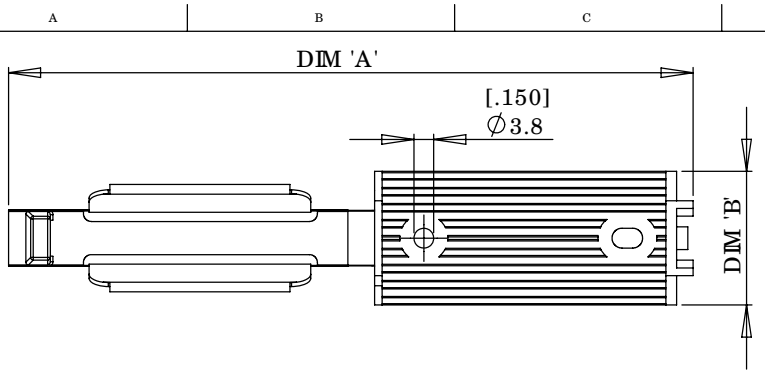
Contact us

Tel: +86-755-8981 8866 Fax: +86-755-8427 6832

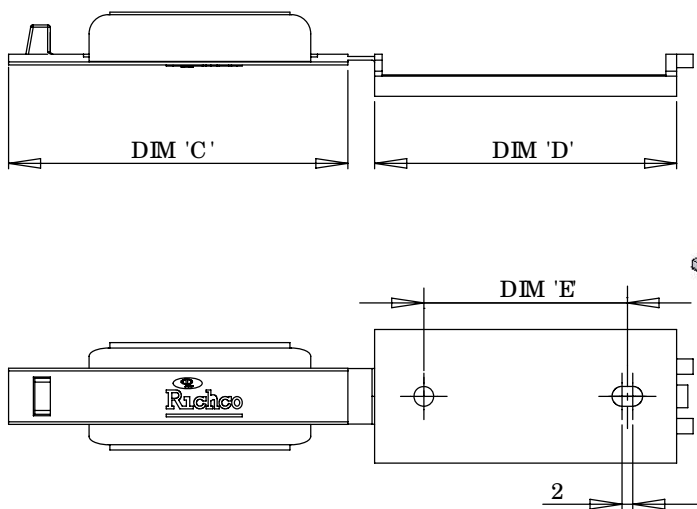
Email & Skype: info@chipsmall.com Web: www.chipsmall.com

Address: A1208, Overseas Decoration Building, #122 Zhenhua RD., Futian, Shenzhen, China





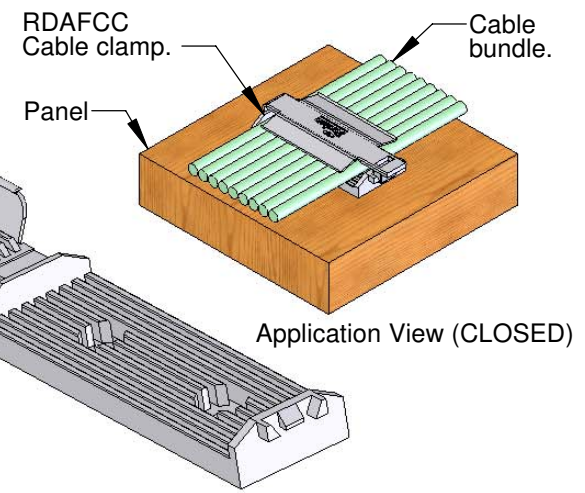
Plan View of RDAFCC-25 showing single fixing hole location.



RDAFCC-25 With single fixing hole.

RDAFCC-50, With double fixing holes.

RDAFCC-82, With double fixing holes.



Application View (CLOSED)

NOTES:

- 1a) Metric Primary units:mm.
- 1b) Imperial secondary units: [inches].
- 2) For mounting hole method with adhesive tape, (RMS-324), add 'A' to the end of the part number.
- 3) Recommended Max cable thickness: 5mm.
- 4) Recommended mounting screw - #6 (M3).
- 5) 'FLAME RETARDANT NYLON (RMS-19)' available by special order.

RDAFCC-82	179.4 [7.062]	25.4 [1.000]	88.5 [3.484]	82.8 [3.259]	38.0 [1.496]	76.2 [3.000]
RDAFCC-50	128.5 [5.059]	25.0 [.984]	63.5 [2.500]	56.5 [2.224]	38.0 [1.496]	50.8 [2.000]
RDAFCC-25	75.8 [2.984]	25.0 [.984]	37.9 [1.492]	29.7 [1.169]	N/A	25.4 [1.000]
PART No.	DIM 'A' (REF)	DIM 'B' (REF)	DIM 'C' (REF)	DIM 'D' (REF)	DIM 'E' C-C	MAXIMUM CABLE WIDTH

REV.	MODIFICATION.	DATE	DRN
A	NEW DRAWING	19/07/05	NJB
B	RDAFCC-50 & 82 DIM 'E' WERE 38.0 & 38.4	25/08/05	NJB
C	MAX CABLE THICKNESS & RECOMMENDED SCREW SIZE ADDED	11/10/05	NJB
D	FILLET RADS ADDED TO HINGE	16/03/06	NJB
E	RDAFCC-82 ISOMETRIC VIEW ADDED	15/05/06	NJB
F	RDAFCC-82 DIMS CORRECTED. TOLERANCE ADDED TO Ø9 DIM.	30/08/06	NJB
01	PRODUCTION RELEASE	21/11/06	NJB
02	ECR/ECN - 2008-013	22/01/08	PH

<small>INFORMATION CONTAINED IN THIS DOCUMENT IS CONFIDENTIAL TO RICHCO INTERNATIONAL Co. Ltd. AND MAY NOT BE DISCLOSED OR REPRODUCED IN WHOLE OR PART WITHOUT THEIR WRITTEN CONSENT.</small>			
<small>GENERAL TOLERANCES ±0.25 [0.010] UNLESS OTHERWISE SPECIFIED 1 DECIMAL PLACES ± 2 DECIMAL PLACES ± ANGULAR ±1°</small>		<small>THIRD ANGLE</small> 	
Richco		<small>MATERIAL:</small> NYLON 6/6 UL94 V2 (RMS-01)	
<small>DESCRIPTION:</small> RDAFCC SERIES CABLE CLAMPS		<small>PART No.:</small> SEE TABLE	
<small>DRG No.:</small> 06-144	<small>NPR No.:</small> 2005-130	<small>Mass(g)</small>	<small>SHEET SIZE</small> A3
<small>DRN</small> NJB	<small>DATE</small> 19/07/05	<small>CHKD</small> NBR	<small>DATE</small> 29/07/05
<small>SCALE</small> NTS		<small>SHEET No.</small> 1 OF 1	