



Chipsmall Limited consists of a professional team with an average of over 10 year of expertise in the distribution of electronic components. Based in Hongkong, we have already established firm and mutual-benefit business relationships with customers from,Europe,America and south Asia,supplying obsolete and hard-to-find components to meet their specific needs.

With the principle of “Quality Parts,Customers Priority,Honest Operation,and Considerate Service”,our business mainly focus on the distribution of electronic components. Line cards we deal with include Microchip,ALPS,ROHM,Xilinx,Pulse,ON,Everlight and Freescale. Main products comprise IC,Modules,Potentiometer,IC Socket,Relay,Connector.Our parts cover such applications as commercial,industrial, and automotives areas.

We are looking forward to setting up business relationship with you and hope to provide you with the best service and solution. Let us make a better world for our industry!



Contact us

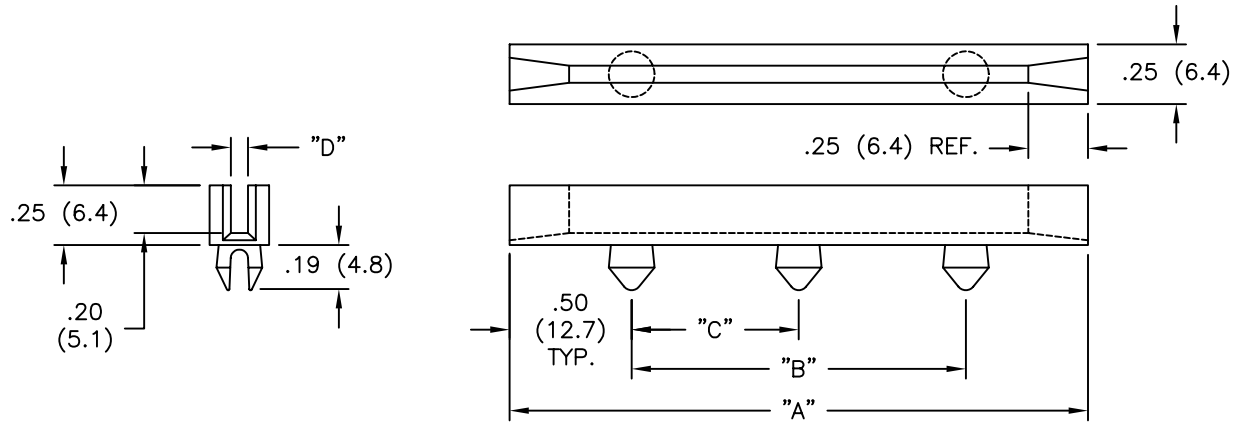
Tel: +86-755-8981 8866 Fax: +86-755-8427 6832

Email & Skype: info@chipsmall.com Web: www.chipsmall.com

Address: A1208, Overseas Decoration Building, #122 Zhenhua RD., Futian, Shenzhen, China

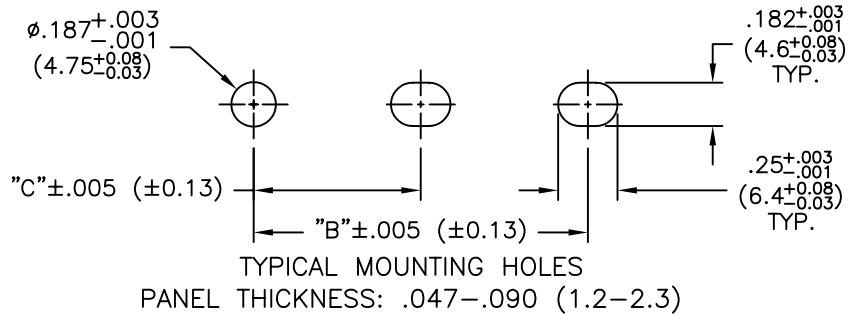


PART NO.	"A" REF.	"B"±.025 (±0.63)	"C"±.015 (±0.38)	NOMINAL BD. THKS.	"D"±.005 (±0.13)
RDC-250	2.50 (63.5)	1.50 (38.1)	-	1/16 (1.6)	.080 (2.0)
RDC-450	4.50 (114.3)	3.50 (88.9)	-		
RDC-600	6.00 (152.4)	5.00 (127.0)	-		
RDC-800	8.00 (203.2)	7.00 (177.8)	3.50 (88.9)	3/32 (2.4)	.102 (2.6)
RDC-450-102	4.50 (114.3)	3.50 (88.9)	-		
RDC-600-102	6.00 (152.4)	5.00 (127.0)	-		
RDC-800-102	8.00 (203.2)	7.00 (177.8)	3.50 (88.9)	1/8 (3.2)	.132 (3.4)
RDC-450-130	4.50 (114.3)	3.50 (88.9)	-		
RDC-600-130	6.00 (152.4)	5.00 (127.0)	-		
RDC-800-130	8.00 (203.2)	7.00 (177.8)	3.50 (88.9)		



NOTES:

1. MATERIAL: GLASS-FILLED NYLON (RMS-66).
2. COLOR: BLACK.
3. SLOTTING OR ELONGATING OF 2ND AND 3RD MOUNTING HOLE IS RECOMMENDED TO ALLOW FOR LENGTH VARIATIONS IN MOLDING AND ASSEMBLY EASE.



H	SEE ECN #1073 FOR CHANGES	SK 10.11.05
G	SEE ECN #839 FOR CHANGES	SM 08.24.04
F	CHANGED FILE NUMBER AND UPDATED PRINT	SM 01.31.02
E	-130 SERIES ADDED	PB 050994
D	MOUNTING INSTRUCTIONS MODIFIED	PB 042994
C	DIM .05(1.3) ADDED MOUNTING INSTRUCTIONS MODIFIED, CHANGED TABLE	RS 021694
B	NEW P/N'S ADDED	RS 012494
A	METRIC DIMS., TOL. CORRECTED	RS 081892
REV	DESCRIPTION	ENGR DATE

TITLE: DEEP CHANNEL CARD GUIDE (RDC)				DWG IN IN(mm)	FINAL
TOLERANCES UNLESS NOTED .XX=±.010 .XXX=±.005 FRAC=1/64 ANG=1°	FILE # RDC	DWN: J.B.	APP:	PART # SEE TABLE	PRINT TYPE CA
	MAT'L: SEE NOTES	DT: 04-08-97	DT:		
	RE: RICHCO, INC.	RICHCO INC. PO BOX 804238, CHICAGO, 60680 (773) 539-4060			