



Chipsmall Limited consists of a professional team with an average of over 10 year of expertise in the distribution of electronic components. Based in Hongkong, we have already established firm and mutual-benefit business relationships with customers from,Europe,America and south Asia,supplying obsolete and hard-to-find components to meet their specific needs.

With the principle of "Quality Parts,Customers Priority,Honest Operation,and Considerate Service",our business mainly focus on the distribution of electronic components. Line cards we deal with include Microchip,ALPS,ROHM,Xilinx,Pulse,ON,Everlight and Freescale. Main products comprise IC,Modules,Potentiometer,IC Socket,Relay,Connector.Our parts cover such applications as commercial,industrial, and automotives areas.

We are looking forward to setting up business relationship with you and hope to provide you with the best service and solution. Let us make a better world for our industry!



Contact us

Tel: +86-755-8981 8866 Fax: +86-755-8427 6832

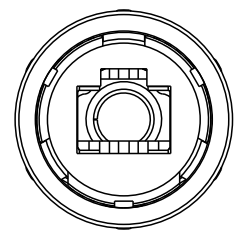
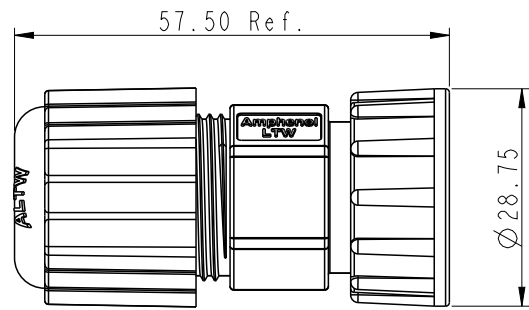
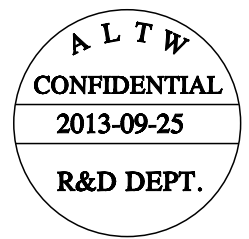
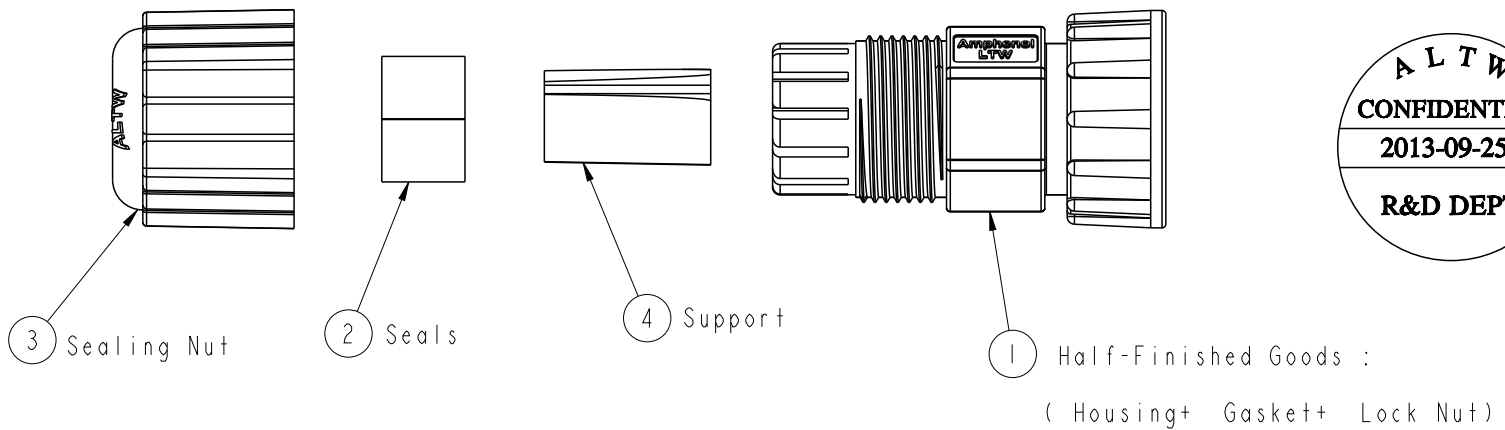
Email & Skype: info@chipsmall.com Web: www.chipsmall.com

Address: A1208, Overseas Decoration Building, #122 Zhenhua RD., Futian, Shenzhen, China



THIS DOCUMENT IS SUBJECT TO CHANGE WITHOUT NOTICE. IT IS CONFIDENTIAL AND A PROPERTY OF Amphenol LTW. DISCLOSURE TO THIRD PARTY HAS TO BE AUTHORIZED BY Amphenol LTW.

REV.	ECN NO.	DATE	SIGN	DESCRIPTION



- Note:
- * \varnothing Important Dimension
 - * Waterproof Rate : IP67 (Mated)
 - * Half-Finished Goods: ,UL 94V-0
 - Housing : Nylon,Black
 - Gasket : Silicon,Dgray
 - Screw Nut : Nylon,Black
 - * Support: Black,TPU
 - * Sealing Nut: Nylon+GF,Black
 - * Seals: Silicon,Dgray.
 - * Cable OD Range : 5.0~6.5mm
 - * Sealing Nut Torsion Value Range: 8~15kgf-cm
 - * One Set Unassembled in One PE Bag.

UNIT : mm		
TOLERANCE	±0.25	
.X	±0.1	
.XX	±0.05	
.XXX	±0.05	
ANGLES	±1°	

TITLE RJ45 FEED-THRU, 3T LOCK, DSIZE			
SCALE 1:1	SIZE A4	SHEET 1 OF 1	
REV. A	WC-REV. A.2	Ⓞ: Inspection item	

Amphenol LTW
安費諾亮泰企業股份有限公司

ITEM NO. RDP-00BMMS-TLM7001	DRAWN BY Raison_liao	DATE 2013-09-25
DWG NO. RDP-00BMMS-TLM7001	CHECKED BY TONY	DATE 2013-09-25
CUSTOMER ALTW	APPROVED BY VICTOR	DATE 2013-09-25

F
E
D
C
B
A