



Chipsmall Limited consists of a professional team with an average of over 10 year of expertise in the distribution of electronic components. Based in Hongkong, we have already established firm and mutual-benefit business relationships with customers from,Europe,America and south Asia,supplying obsolete and hard-to-find components to meet their specific needs.

With the principle of “Quality Parts,Customers Priority,Honest Operation,and Considerate Service”,our business mainly focus on the distribution of electronic components. Line cards we deal with include Microchip,ALPS,ROHM,Xilinx,Pulse,ON,Everlight and Freescale. Main products comprise IC,Modules,Potentiometer,IC Socket,Relay,Connector.Our parts cover such applications as commercial,industrial, and automotives areas.

We are looking forward to setting up business relationship with you and hope to provide you with the best service and solution. Let us make a better world for our industry!



## Contact us

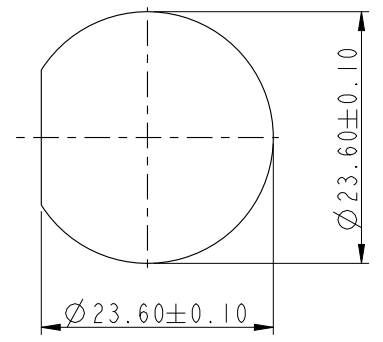
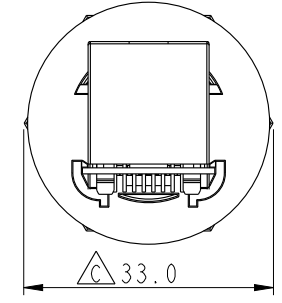
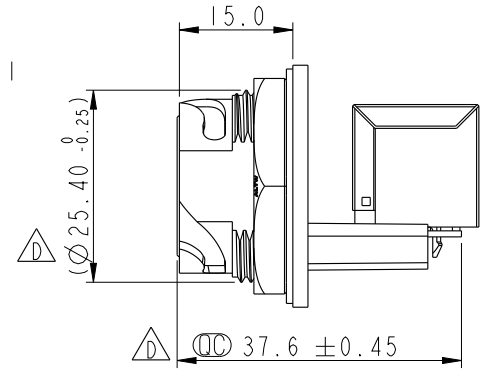
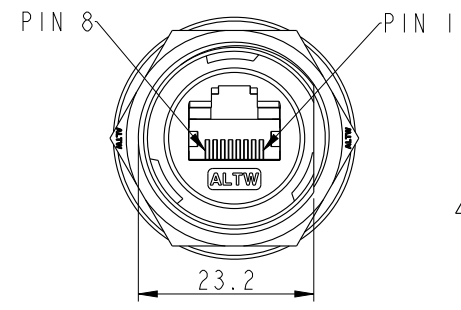
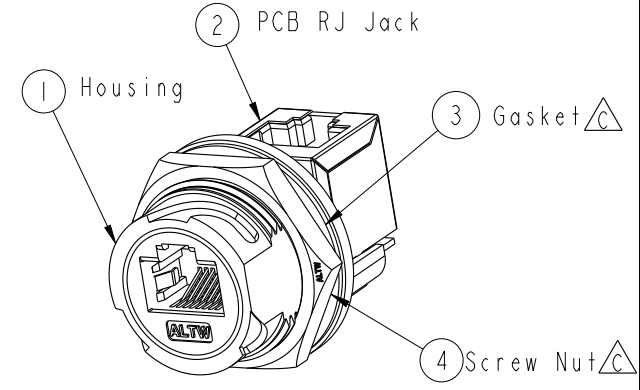
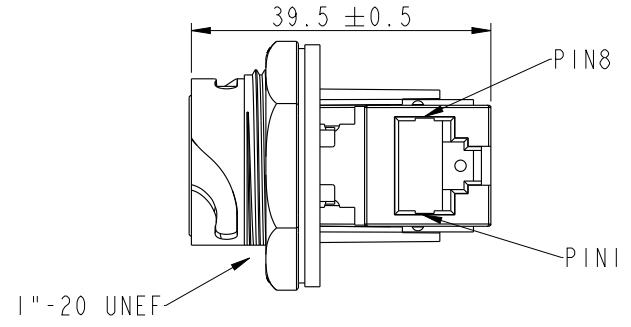
Tel: +86-755-8981 8866 Fax: +86-755-8427 6832

Email & Skype: info@chipsmall.com Web: www.chipsmall.com

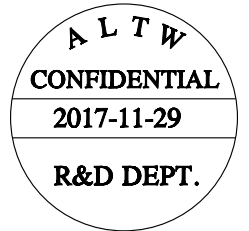
Address: A1208, Overseas Decoration Building, #122 Zhenhua RD., Futian, Shenzhen, China



REV.	ECN NO.	DATE	SIGN	DESCRIPTION
C	LE31490113	2014-08-26	Feng-Li	Change Nut and Gasket
D	LEN1810063	2017-11-29	Jalam	Change The Tolerance



Recommended Panel Cut-out Rear View



- Note:
- \*  $\text{⌀}$  Important Dimension
  - \* Waterproof Rate : IP67 Unmated
  - \* Housing : Nylon+GF, BLACK
  - \* Screw Nut : Nylon+GF, BLACK
  - \* Gasket : Silicone, Gray
  - \* PCB: FR-4
  - \* Jack : PBT Polyester, BLACK
  - \* Use with waterproof cap or dust cap for Panel Thickness Max: 1.3mm
  - \* Use without waterproof cap or dust cap for Panel Thickness Max: 2.5mm
  - \* Screw torsion value range: 8-15kgf-cm

UNIT : mm		TITLE		ITEM NO	DRAWN BY	DATE
		RJ45, D SIZE, WATERPROOF		RDP-5SPFFV-TCU7001	Jalam	2017-11-29
TOLERANCE		SCALE	SIZE	DWG NO	CHECKED BY	DATE
.X ±0.25		1:1	A4	RDP-5SPFFV-TCU7001	Feng-Li	2017-11-29
.XX ±0.1		REV.	WC-REV.	CUSTOMER	APPROVED BY	DATE
.XXX ±0.05		D	A.7	ALTW	Jerry	2017-11-29
ANGLES ±1°		: Inspection item				

**Amphenol LTW**  
安費諾亮泰企業股份有限公司

THIS DOCUMENT IS SUBJECT TO CHANGE WITHOUT NOTICE. IT IS CONFIDENTIAL AND A PROPERTY OF Amphenol LTW. DISCLOSURE TO THIRD PARTY HAS TO BE AUTHORIZED BY Amphenol LTW.