



Chipsmall Limited consists of a professional team with an average of over 10 year of expertise in the distribution of electronic components. Based in Hongkong, we have already established firm and mutual-benefit business relationships with customers from,Europe,America and south Asia,supplying obsolete and hard-to-find components to meet their specific needs.

With the principle of “Quality Parts,Customers Priority,Honest Operation,and Considerate Service”,our business mainly focus on the distribution of electronic components. Line cards we deal with include Microchip,ALPS,ROHM,Xilinx,Pulse,ON,Everlight and Freescale. Main products comprise IC,Modules,Potentiometer,IC Socket,Relay,Connector.Our parts cover such applications as commercial,industrial, and automotives areas.

We are looking forward to setting up business relationship with you and hope to provide you with the best service and solution. Let us make a better world for our industry!



Contact us

Tel: +86-755-8981 8866 Fax: +86-755-8427 6832

Email & Skype: info@chipsmall.com Web: www.chipsmall.com

Address: A1208, Overseas Decoration Building, #122 Zhenhua RD., Futian, Shenzhen, China



RDT SERIES ROTARY DIP SWITCH

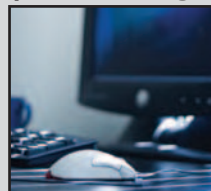
ANTI-VANDAL SWITCHES
 DETECTOR SWITCHES
 DIP SWITCHES
 KEYLOCK SWITCHES
 NAVIGATION SWITCHES
 PUSHBUTTON SWITCHES
 ROCKER SWITCHES
 ROTARY SWITCHES
 SLIDE SWITCHES
 SNAP ACTION SWITCHES
 TACTILE SWITCHES
 TOGGLE SWITCHES
 CAP OPTIONS



APPLICATIONS / MARKETS



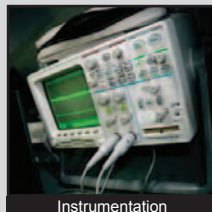
Audio / Visual



Computer Peripherals



Consumer Electronics



Instrumentation



Telecommunication



Medical Equipment

RoHS

SPECIFICATIONS

Electrical Rating:
 Switching: 42VDC, 150mA
 Non-Switching: 42VDC, 200mA
Life Expectancy: 10,000 steps
Contact Resistance: 80mΩ Max.
Insulation Resistance: 100 MΩ Min. at 250VDC
Dielectric Strength: 250VAC
Operating Temperature:
 -40°C to 85°C (Thru Hole)
 -60°C to 125°C (SMT)
Actuation Force: 700 gf
Travel: dependent upon individual switch positions

FEATURES & BENEFITS

- Offers IP67 sealing protection
- Available in 4, 6, 8, 10 and 16 positions
- Right angle or vertical options
- SMT or thru hole options
- Gold contacts

PART NUMBER CONFIGURATOR

Series	Actuator	Code	Positions	Terminals	Packaging
<input type="text" value="RDT"/>	<input type="text" value="A"/>	<input type="text" value="R"/>	<input type="text" value="04"/>	<input type="text" value="P1"/>	<input type="text" value="T"/>
	A - Arrow Flush	R - Real	04	P1 - TH 3x3 terminals	T - Tube
	B - Arrow Shaft	C - Complementary	06	P2 - TH 3x2 terminals	R - Tape & Reel
	C - Cross		08	S1 - SM 3x3 terminals	
	D - Arrow .1 High		10	S2 - SM 3x2 terminals	
			16	R1 - Angled 5.08 spacing	
				R2 - Angled 2.54 spacing	

Specifications subject to change without notice



E-SWITCH®

www.e-switch.com

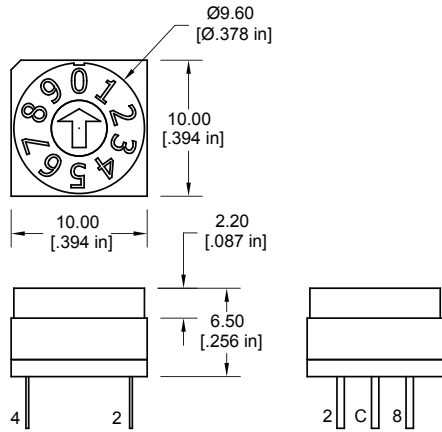
800.867.2717

2

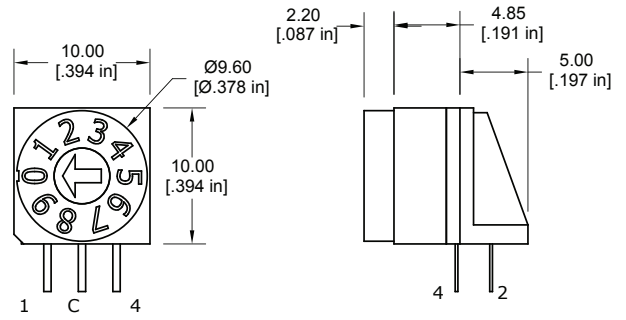
RDT SERIES ROTARY DIP SWITCH

BODY DIMENSIONS

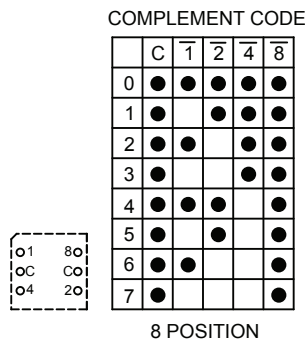
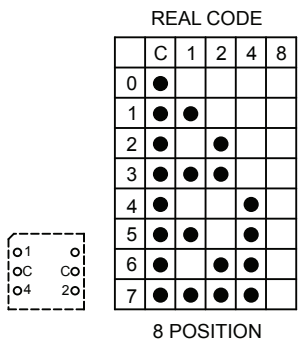
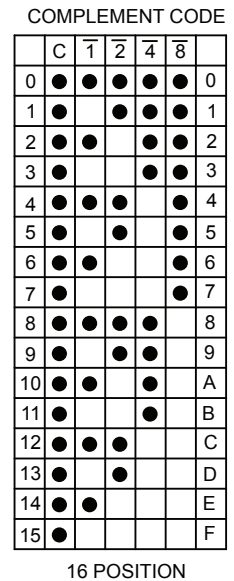
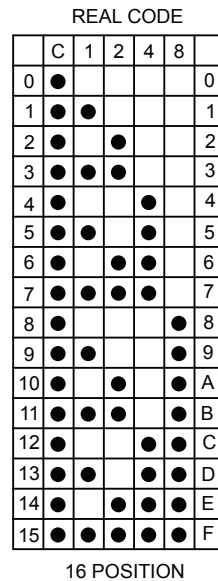
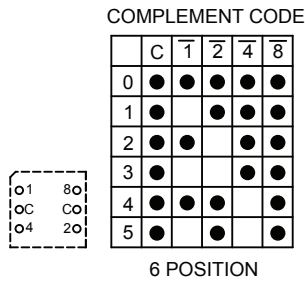
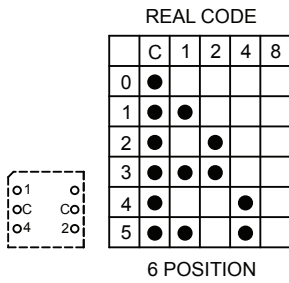
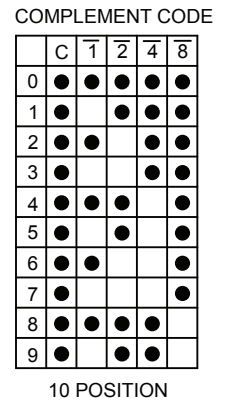
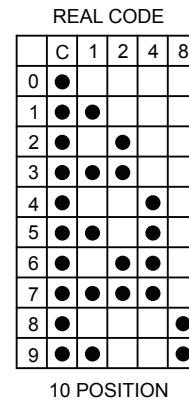
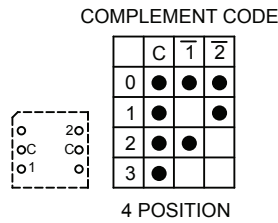
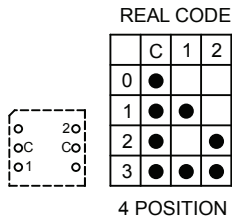
VERTICAL



RIGHT ANGLE



GENERAL CODES



ANTI-VANDAL SWITCHES
DETECTOR SWITCHES
DIP SWITCHES
KEYLOCK SWITCHES
NAVIGATION SWITCHES
PUSHBUTTON SWITCHES
ROCKER SWITCHES
ROTARY SWITCHES
SLIDE SWITCHES
SNAP ACTION SWITCHES
TACTILE SWITCHES
TOGGLE SWITCHES
CAP OPTIONS

RDT SERIES ROTARY DIP SWITCH

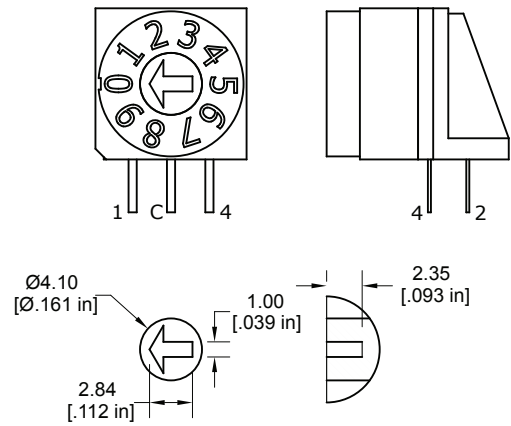
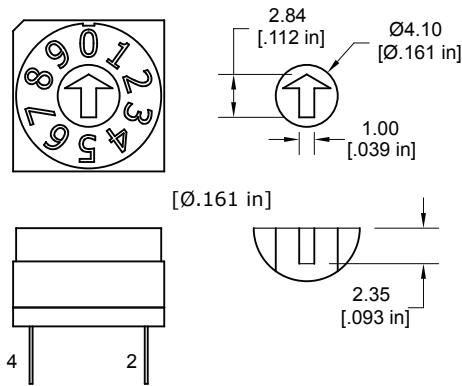
ACTUATOR OPTIONS

ANTI-VANDAL SWITCHES
DETECTOR SWITCHES
DIP SWITCHES
KEYLOCK SWITCHES
NAVIGATION SWITCHES
PUSHBUTTON SWITCHES
ROCKER SWITCHES
ROTARY SWITCHES
SLIDE SWITCHES
SNAP ACTION SWITCHES
TACTILE SWITCHES
TOGGLE SWITCHES
CAP OPTIONS

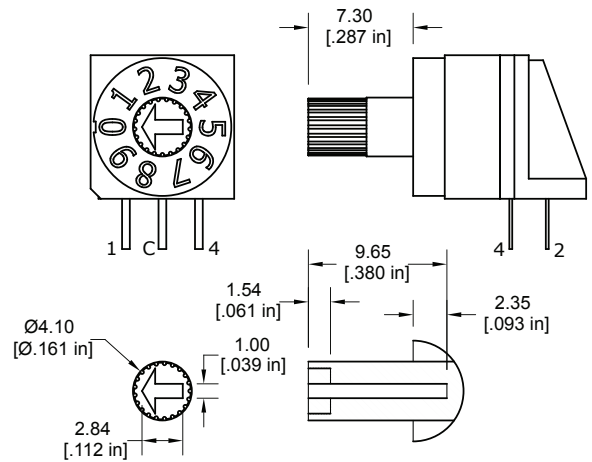
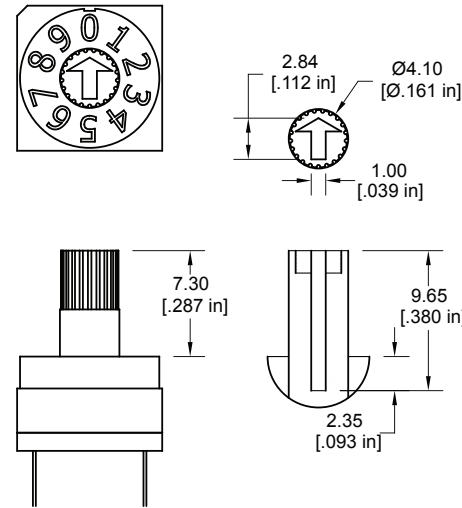
VERTICAL

RIGHT ANGLE

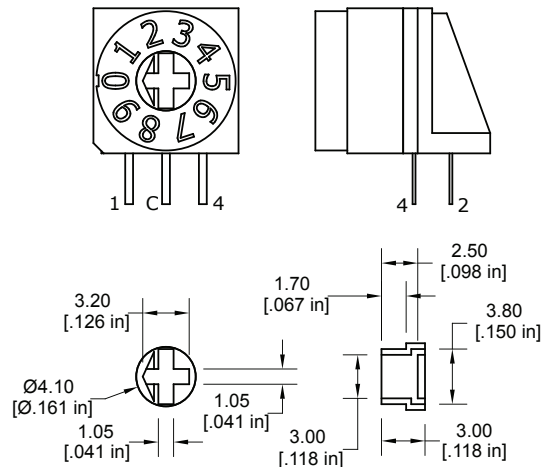
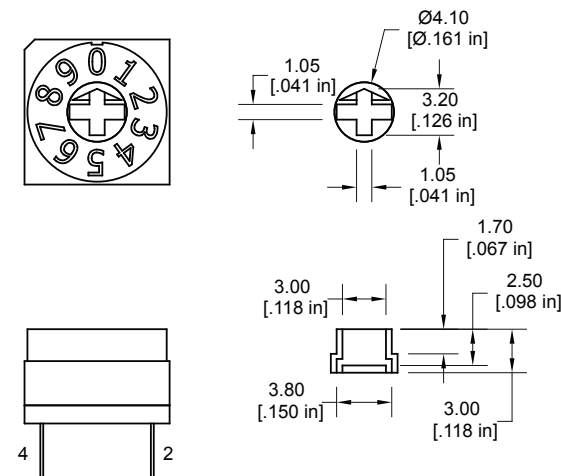
"A" ACTUATOR



"B" ACTUATOR



"C" ACTUATOR

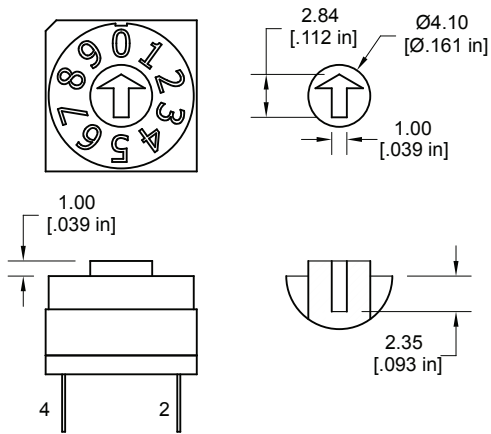


RDT SERIES ROTARY DIP SWITCH

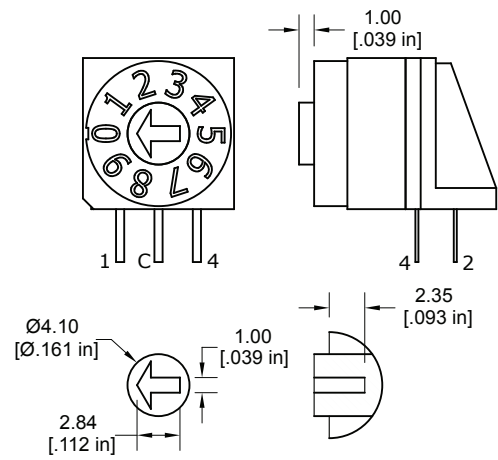
ACTUATOR OPTIONS (CONT.)

VERTICAL

"D" ACTUATOR

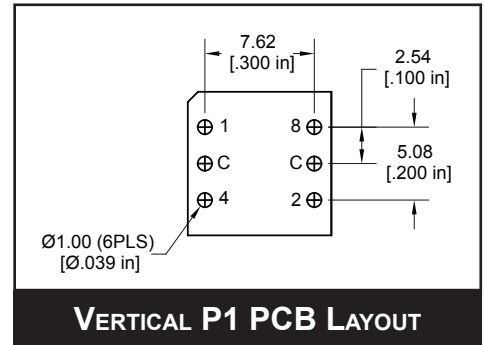
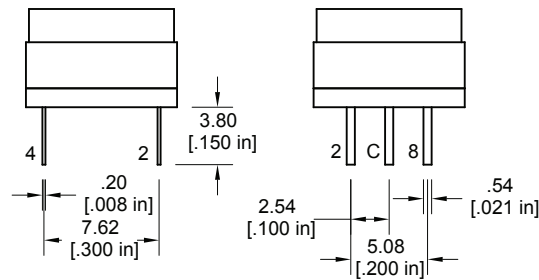


RIGHT ANGLE

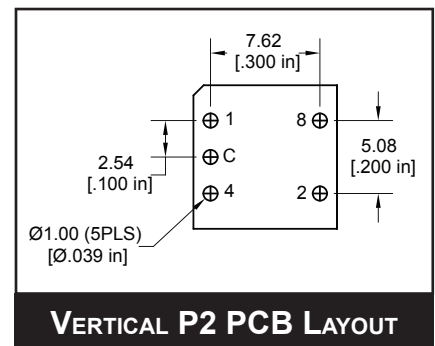
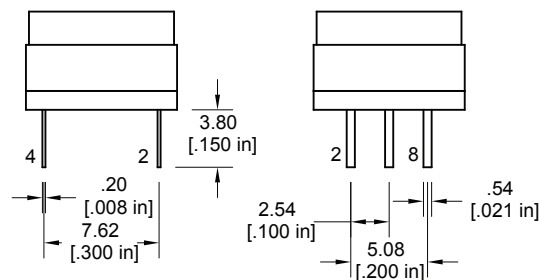


TERMINATION OPTIONS

P1 - VERTICAL



P2 - VERTICAL

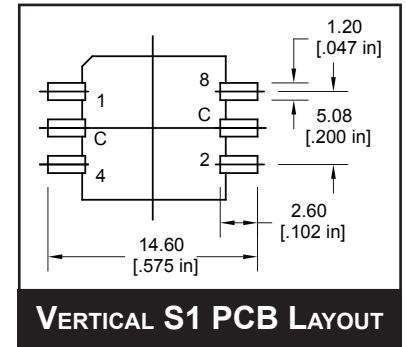
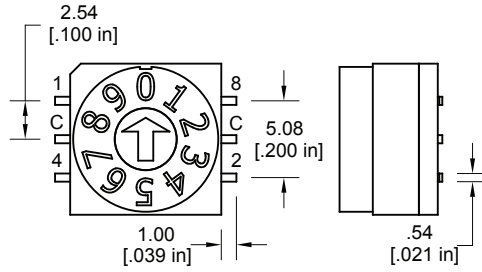


ANTI-VANDAL SWITCHES
DETECTOR SWITCHES
DIP SWITCHES
KEYLOCK SWITCHES
NAVIGATION SWITCHES
PUSHBUTTON SWITCHES
ROCKER SWITCHES
ROTARY SWITCHES
SLIDE SWITCHES
SNAP ACTION SWITCHES
TACTILE SWITCHES
TOGGLE SWITCHES
CAP OPTIONS

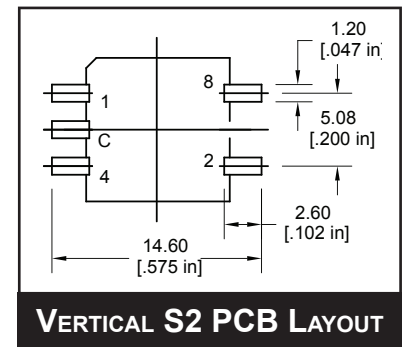
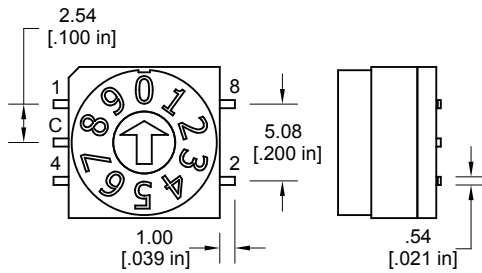
RDT SERIES ROTARY DIP SWITCH

TERMINATION OPTIONS (CONT.)

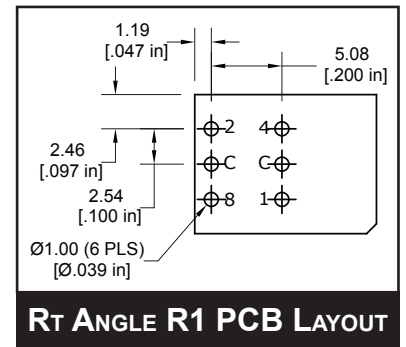
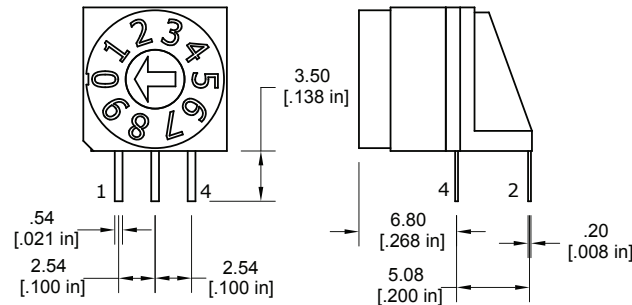
S1 - VERTICAL



S2 - VERTICAL



R1 - RIGHT ANGLE



R2 - RIGHT ANGLE

