



Chipsmall Limited consists of a professional team with an average of over 10 year of expertise in the distribution of electronic components. Based in Hongkong, we have already established firm and mutual-benefit business relationships with customers from,Europe,America and south Asia,supplying obsolete and hard-to-find components to meet their specific needs.

With the principle of “Quality Parts,Customers Priority,Honest Operation,and Considerate Service”,our business mainly focus on the distribution of electronic components. Line cards we deal with include Microchip,ALPS,ROHM,Xilinx,Pulse,ON,Everlight and Freescale. Main products comprise IC,Modules,Potentiometer,IC Socket,Relay,Connector.Our parts cover such applications as commercial,industrial, and automotives areas.

We are looking forward to setting up business relationship with you and hope to provide you with the best service and solution. Let us make a better world for our industry!



Contact us

Tel: +86-755-8981 8866 Fax: +86-755-8427 6832

Email & Skype: info@chipsmall.com Web: www.chipsmall.com

Address: A1208, Overseas Decoration Building, #122 Zhenhua RD., Futian, Shenzhen, China





R&E International

A Subsidiary of Microchip Technology Inc.

RE46C126

CMOS Ionization Smoke Detector ASIC with Interconnect
Product Specification

General Description

The RE46C126 is low power CMOS ionization type smoke detector IC. With few external components this circuit will provide all the required features for an ionization type smoke detector.

An internal oscillator strobes power to the smoke detection circuitry for 10.5mS every 1.66 seconds to keep standby current to a minimum. A check for a low battery condition is performed every 40 seconds when in standby. A 2/3 duty cycle continuous horn pattern is used for the alarm condition.

An interconnect pin allows multiple detectors to be connected such that when one unit alarms all units will sound.

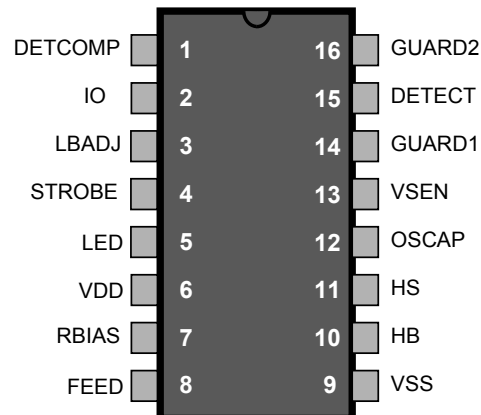
Although this device was designed for smoke detection utilizing an ionization chamber it can be used in a variety of security applications.

The RE46C126 is recognized by Underwriters Laboratories for use in smoke detectors that comply with specification UL217 and UL268.

Features

- Guard Outputs for Ion Detector Input
- +/-0.75pA Detect Input Current
- Internal Reverse Battery Protection
- Internal Low Battery Detection
- Low Quiescent Current Consumption (<6.5uA)
- Available in 16L PDIP or 16L N SOIC
- ESD Protection on all Pins
- Interconnect up to 40 Detectors
- Compatible with MC14468
- UL Recognized per File S24036
- Available in Standard Packaging or RoHS Complaint Pb Free Packaging

Pin Configuration



ABSOLUTE MAXIMUM RATINGS

| PARAMETER | SYMBOL | VALUE | UNITS |
|-------------------------------------|------------|------------------------|-------|
| Supply Voltage | V_{DD} | 15 | V |
| Input Voltage Range Except FEED, IO | V_{in} | -0.3 to $V_{dd} + 0.3$ | V |
| FEED Input Voltage Range | V_{infd} | -10 to +22 | V |
| IO Input Voltage Range | V_{io1} | -0.3 to 17 | V |
| Reverse Battery Time | T_{RB} | 5 | S |
| Input Current except FEED | I_{in} | 10 | mA |
| Operating Temperature | T_A | -10 to 60 | °C |
| Storage Temperature | T_{STG} | -55 to 125 | °C |
| Maximum Junction Temperature | T_J | 150 | °C |

Stresses beyond those listed under Absolute Maximum Ratings may cause permanent damage to the device. These are stress ratings only and operation at these conditions for extended periods may affect device reliability.

This product utilizes CMOS technology with static protection; however proper ESD prevention procedures should be used when handling this product. Damage can occur when exposed to extremely high static electrical charge

RE46C126

CMOS Ionization Smoke Detector ASIC
Product Specification



R&E International
A Subsidiary of Microchip Technology Inc.

DC Electrical Characteristics at TA = 25°C, VDD=9V, OSCAP=.1uF, RBIAS=8.2MΩ, VSS=0V (unless otherwise noted)

| Parameter | Symbol | Test Pin | Test Conditions | Limits | | | |
|----------------------------------|--------------------|----------|---|--------|------|--------------------|------------------|
| | | | | Min | Typ | Max | Units |
| Supply Voltage | V _{DD} | 6 | Operating | 6 | | 12 | V |
| Supply Current | I _{DD1} | 6 | RBIAS=8.2MΩ, OSCAP=.1uF | | 4.5 | 6.5 | uA |
| | I _{DD2} | 6 | RBIAS=8.2MΩ, OSCAP=.1uF; Vdd=12V | | | 9 | uA |
| Input Voltage High | V _{IH1} | 8 | | 6.2 | 4.5 | | V |
| | V _{IH2} | 2 | No Local Alarm, IO as an Input | 3 | | | V |
| Input Voltage Low | V _{IL1} | 8 | | | 4.5 | 2.7 | V |
| | V _{IL2} | 2 | No Local Alarm, IO as an Input | | | 1 | V |
| Input Leakage Low | I _{LDET1} | 15 | VDD=9V, DETECT=VSS, 0-40% RH | | | -0.75 | pA |
| | I _{LDET2} | 15 | VDD=9V, DETECT=VSS, 85% RH Note 1 | | | -1.50 | pA |
| | I _{LFD} | 8 | FEED=-10V | | | -50 | uA |
| Input Leakage High | I _{HDET1} | 15 | VDD=9V, DETECT=VDD, 0-40% RH | | | 0.75 | pA |
| | I _{HDET2} | 15 | VDD=9V, DETECT=VDD, 85% RH Note 1 | | | 1.50 | pA |
| | I _{HFD} | 8 | FEED=22V | | | 50 | uA |
| | I _{IOL1} | 2 | No Alarm, Vio=Vdd-2V | 25 | | 100 | uA |
| | I _{IOL2} | 2 | No Alarm, Vio=17V | | | 150 | uA |
| Output Off Leakage High | I _{IOHZ} | 4,5 | Output Off | | | 1 | uA |
| Output Voltage High | V _{OH1} | 10,11 | IOH=-16mA, VDD=7.2V | 6.3 | | | V |
| | V _{OH2} | 1 | IOH=-30ua | 8.5 | | | V |
| Output Voltage Low | V _{OL1} | 10,11 | IOL=16mA, VDD=7.2V | | | .9 | V |
| | V _{OL2} | 1,4 | IOL=30ua | | | .5 | V |
| | V _{OL3} | 5 | IOL=10mA, VDD=7.2V | | | 3 | V |
| Output Current | I _{IOH1} | 2 | Alarm, Vio=Vdd-2V or Vio=0V | -4 | | -16 | mA |
| | I _{IODMP} | 2 | At Conclusion of Local Alarm or Test, Vio=1V | 5 | | | mA |
| Low Battery Voltage | V _{LB} | 6 | T _A =-10 to 60°C, Note 3 | 7.2 | 7.5 | 7.8 | V |
| Internal Sensitivity Set Voltage | V _{SET1} | 13 | | 47 | 50 | 53 | %V _{DD} |
| | V _{SET2} | 3 | | | 65.5 | | %V _{DD} |
| Offset Voltage | V _{GOS1} | 14,15 | Guard Amplifier | -50 | | 50 | mV |
| | V _{GOS2} | 15,16 | Guard Amplifier | -50 | | 50 | mV |
| | V _{GOS3} | 13,15 | Smoke Comparator | -50 | | 50 | mV |
| Common Mode Voltage | V _{CM1} | 14,15 | Guard Amplifier, Note 2 | 2 | | V _{DD} -5 | V |
| | V _{CM2} | 13,15 | Smoke Comparator, Note 2 | .5 | | V _{DD} -2 | V |
| Output Impedance | Z _{OUT} | 14,16 | Guard Amplifier Outputs, Note 2 | | 10 | | kΩ |
| Hysteresis | V _{HYS} | 13 | No Alarm to Alarm Condition | 90 | 130 | 170 | mV |

Note 1: Sample test only

Note 2: Not 100% production tested

Note 3: Production test at room with temperature guardbanded limits.

RE46C126

CMOS Ionization Smoke Detector ASIC with Interconnect
Product Specification



R&E International
A Subsidiary of Microchip Technology Inc.

AC Electrical Characteristics at TA = 25°C, VDD=9V, OSCAP=.1uF, RBIAS=8.2MΩ, VSS=0V (unless otherwise noted)

| Parameter | Symbol | Test Pin | Test Conditions | Limits | | | |
|-------------------------|---------------------|----------|--|--------|------|------|-------|
| | | | | Min | Typ | Max | Units |
| Oscillator Period | T _{PER1} | 12 | No Alarm Condition | 1.34 | 1.67 | 2 | S |
| | T _{PER2} | 12 | Alarm Condition | 37.5 | 41.5 | 45.8 | mS |
| Oscillator Pulse Width | T _{PW} | 5 | Operating | 9.1 | 10.5 | 12.9 | mS |
| LED On Time | T _{LOn} | 5 | Operating | 9.1 | 10.5 | 12.9 | mS |
| LED Off Time | T _{LOF1} | 5 | Standby, No Alarm | 32 | 40 | 48 | S |
| | T _{LOF2} | 5 | Alarm Condition | .9 | 1 | 1.1 | S |
| Horn On Time | T _{HON1} | 10,11 | Operating, Alarm Condition, Note 4 | 141 | 166 | 190 | mS |
| | T _{HON2} | 10,11 | Low Battery, No Alarm | 9.4 | 10.5 | 12.9 | mS |
| Horn Off Time | T _{HOF1} | 10,11 | Operating, Alarm Condition, Note 4 | 71 | 83 | 95 | mS |
| | T _{HOF3} | 10,11 | Low Battery, No Alarm | 32 | 40 | 48 | S |
| IO Charge Dump Duration | T _{IODMP} | 2 | At Conclusion of Local Alarm or Test | 1.34 | 1.67 | 2.0 | S |
| IO Delay | T _{IODLY1} | 2 | From Start of Local Alarm to IO Active | | 3 | | S |
| IO Filter | T _{IOFILT} | 2 | IO pulse width guaranteed to be filtered. IO as Input, No Local Alarm | | | 450 | mS |
| Remote Alarm Delay | T _{IODLY2} | 2 | No Local Alarm, IO as input, From IO active to Horn Active | .450 | | 2.2 | S |

Note 4 – See the timing diagram for the horn 2/3 duty cycle pattern.

RE46C126

CMOS Ionization Smoke Detector ASIC with Interconnect
Product Specification



R&E International
A Subsidiary of Microchip Technology Inc.

Functional Block Diagram

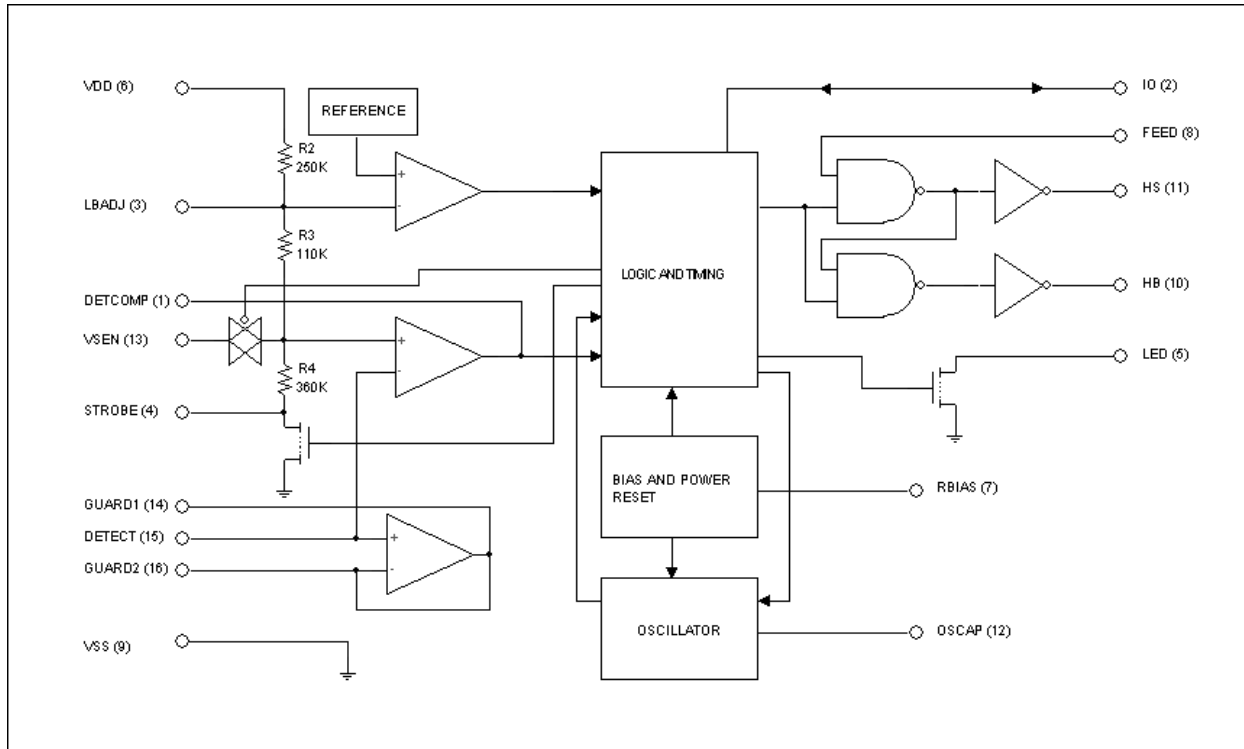


Figure 1



DEVICE DESCRIPTION and APPLICATION NOTES

Note: All timing references are nominal values. Refer to the electrical specifications for limits

Internal Timing – With external components as indicated on the application drawing the period of the oscillator is nominally 1.67 seconds in standby. Every 1.66 seconds the detection circuitry is powered up for 10.5mS and the status of the smoke comparator is latched. In addition every 40 seconds the LED driver is turned on for 10.5mS and the status of the low battery comparator is latched. The smoke comparator status is not checked during the low battery test, during the low battery horn warning chirp, or when the horn is on due to an alarm condition.

If an alarm condition is detected the oscillator period increases to 41.5mS.

Due to the low currents used in the oscillator the capacitor on pin 12 should be a low leakage type. Oscillator accuracy will depend mainly on the tolerance of the RBIAS resistor and OSCAP capacitor.

Smoke Detection Circuit – The smoke comparator compares the ionization chamber voltage to a voltage derived from a resistor divider across VDD. This divider voltage is available externally on pin 13 (VSEN).

Pin 13 (VSEN) can be used to modify the internal set point for the smoke comparator by using external resistors to VDD or VSS. Nominal values for the internal resistor divider are indicated on the block diagram. These internal resistor values can vary by up to $\pm 20\%$ but the resistor matching will be $< 2\%$ on any one device. A transmission switch on pin 13 isolates this pin during the low battery test so that the low battery set point will not be affected if external resistors are used to modify the smoke sensitivity set point.

The guard amplifier and outputs are always active and will be within 50mV of the DETECT input to reduce surface leakage. The guard outputs also allow for measurement of the DETECT input without loading the ionization chamber.

Low Battery Detection - An internal reference is compared to the voltage divided VDD supply. The battery can be checked under load via the LED low side driver output since low battery status is latched at the end of the 11mS LED pulse. Pin 3 (LBADJ) can be used to modify the low battery set point by placing a resistor to VDD or VSS. Note that the internal resistor string is common to both pin 3 and pin 13 so there will be some interaction between the two. Modification of the low battery set point may affect the smoke sensitivity setting.

LED Pulse – The LED is pulsed on for 10.5mS every 40S in standby. In alarm the LED is pulsed on for 10.5mS every 1S. For a remote alarm condition the LED is always off.

Interconnect – Pin 2 (IO) provides the capability to common many detectors in a single system. If a single unit goes into alarm the IO pin is driven high. This high signal causes the interconnected units to alarm. The LED flashes every 1S for 10.5mS on the signaling unit and is inhibited on the units that are in alarm due to the IO signal. An internal sink device on the IO pin helps to discharge the interconnect line. This dump device is active for 1 clock cycle after the unit exits the alarm condition (1.67S).

The interconnect input has a 500mS nominal digital filter. This allows for interconnection to other types of alarms (carbon monoxide for example) that may have a pulsed interconnect signal.

Testing - By holding pin 12 (OSCAP) low the internal power strobe is active and pin1 (DETCOMP) can be used to check for smoke. Please refer to the timing diagrams.

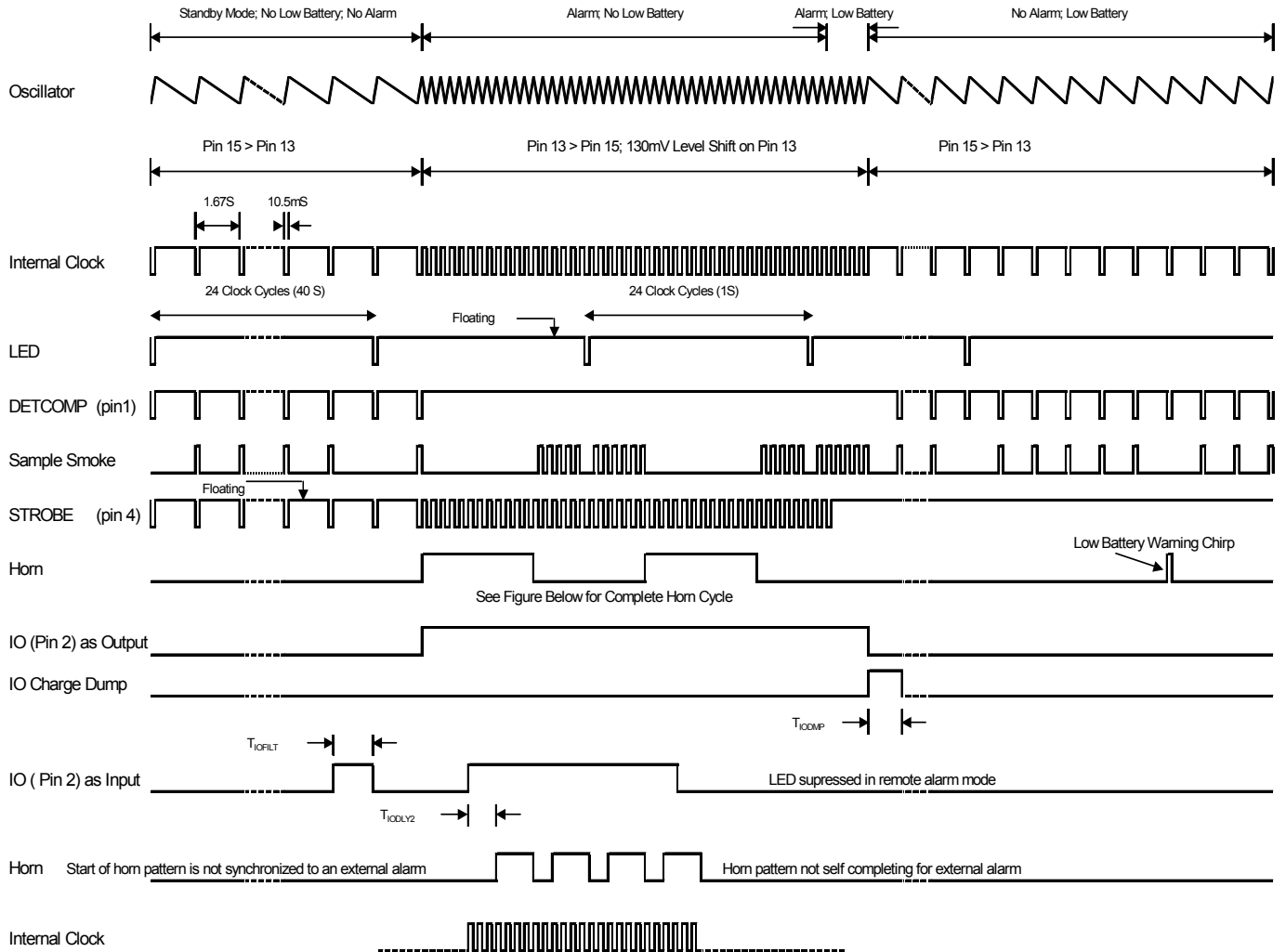
RE46C126

CMOS Ionization Smoke Detector ASIC with Interconnect
Product Specification



R&E International
A Subsidiary of Microchip Technology Inc.

Timing Diagram



Notes:

1. Smoke is not sampled when the horn is active. Horn cycle is self completing in local alarm
2. Low battery warning chirp is suppressed in alarm
3. IO Dump active only in local alarm, inactive if external alarm

RE46C126

CMOS Ionization Smoke Detector ASIC with Interconnect Product Specification



R&E International
A Subsidiary of Microchip Technology Inc.

Information contained in this publication regarding device applications and the like is provided only for your convenience and may be superseded by updates. It is your responsibility to ensure that your application meets with your specifications. MICROCHIP MAKES NO REPRESENTATIONS OR WARRANTIES OF ANY KIND WHETHER EXPRESS OR IMPLIED, WRITTEN OR ORAL, STATUTORY OR OTHERWISE, RELATED TO THE INFORMATION, INCLUDING BUT NOT LIMITED TO ITS CONDITION, QUALITY, PERFORMANCE, MERCHANTABILITY OR FITNESS FOR PURPOSE. Microchip disclaims all liability arising from this information and its use. Use of Microchip devices in life support and/or safety applications is entirely at the buyer's risk, and the buyer agrees to defend, indemnify and hold harmless Microchip from any and all damages, claims, suits, or expenses resulting from such use. No licenses are conveyed, implicitly or otherwise, under any Microchip intellectual property rights.

Trademarks

The Microchip name and logo, the Microchip logo, Accuron, dsPIC, KEELOQ, KEELOQ logo, MPLAB, PIC, PICmicro, PICSTART, rPIC, SmartShunt and UNI/O are registered trademarks of Microchip Technology Incorporated in the U.S.A. and other countries.


FilterLab, Hampshire, Linear Active Thermistor, MXDEV, MXLAB, SEEVAL, SmartSensor and The Embedded Control Solutions Company are registered trademarks of Microchip Technology Incorporated in the U.S.A.

Analog-for-the-Digital Age, Application Maestro, CodeGuard, dsPICDEM, dsPICDEM.net, dsPICworks, dsSPEAK, ECAN, ECONOMONITOR, FanSense, In-Circuit Serial Programming, ICSP, ICEPIC, Mindi, MiWi, MPASM, MPLAB Certified logo, MPLIB, MPLINK, mTouch, nanoWatt XLP, PICkit, PICDEM, PICDEM.net, PICtail, PIC³² logo, PowerCal, PowerInfo, PowerMate, PowerTool, REAL ICE, rLAB, Select Mode, Total Endurance, TSHARC, WiperLock and ZENA are trademarks of Microchip Technology Incorporated in the U.S.A. and other countries.

SQTP is a service mark of Microchip Technology Incorporated in the U.S.A.

All other trademarks mentioned herein are property of their respective companies.

© 2009, Microchip Technology Incorporated, Printed in the U.S.A., All Rights Reserved.

 Printed on recycled paper.

**QUALITY MANAGEMENT SYSTEM
CERTIFIED BY DNV**

== ISO/TS 16949:2002 ==

Microchip received ISO/TS-16949:2002 certification for its worldwide headquarters, design and wafer fabrication facilities in Chandler and Tempe, Arizona; Gresham, Oregon and design centers in California and India. The Company's quality system processes and procedures are for its PIC[®] MCUs and dsPIC[®] DSCs, KEELOQ[®] code hopping devices, Serial EEPROMs, microperipherals, nonvolatile memory and analog products. In addition, Microchip's quality system for the design and manufacture of development systems is ISO 9001:2000 certified.