



Chipsmall Limited consists of a professional team with an average of over 10 year of expertise in the distribution of electronic components. Based in Hongkong, we have already established firm and mutual-benefit business relationships with customers from,Europe,America and south Asia,supplying obsolete and hard-to-find components to meet their specific needs.

With the principle of “Quality Parts,Customers Priority,Honest Operation,and Considerate Service”,our business mainly focus on the distribution of electronic components. Line cards we deal with include Microchip,ALPS,ROHM,Xilinx,Pulse,ON,Everlight and Freescale. Main products comprise IC,Modules,Potentiometer,IC Socket,Relay,Connector.Our parts cover such applications as commercial,industrial, and automotives areas.

We are looking forward to setting up business relationship with you and hope to provide you with the best service and solution. Let us make a better world for our industry!



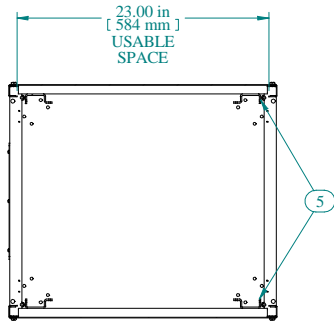
## Contact us

Tel: +86-755-8981 8866 Fax: +86-755-8427 6832

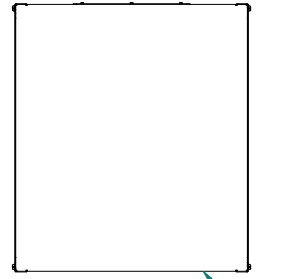
Email & Skype: info@chipsmall.com Web: www.chipsmall.com

Address: A1208, Overseas Decoration Building, #122 Zhenhua RD., Futian, Shenzhen, China

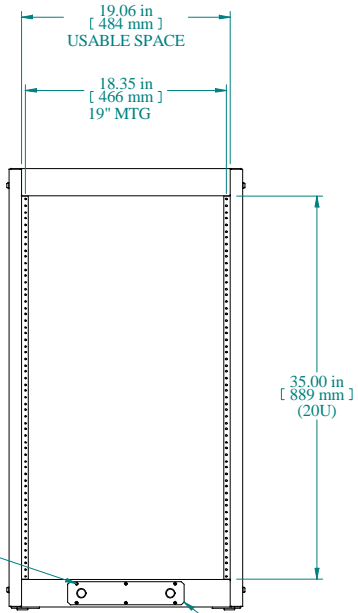




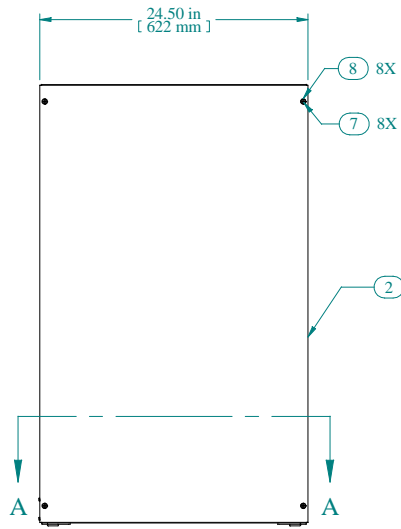
SECTION A-A



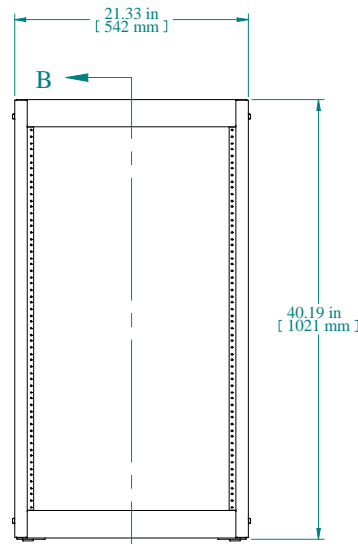
TOP VIEW



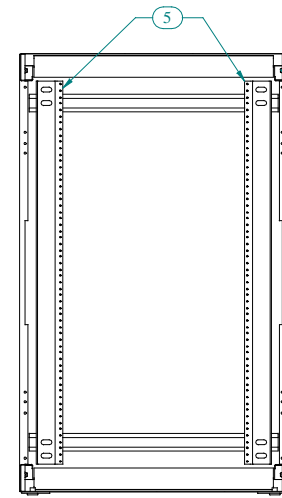
REAR VIEW



L.S. VIEW



FRONT VIEW



SECTION B-B

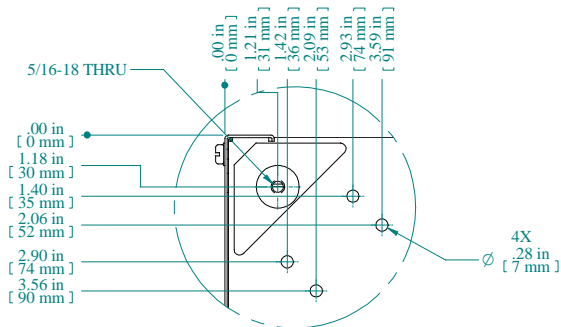
Item Number	Title	Quantity
1	REFK - TOP PANEL	1
2	REFK - SIDE PANEL	2
3	REFK - BOTTOM PANEL	1
4	REFK - GLAND PLATE	1
5	COMBINATION RAILS TAPPED (PAIR)	2
6	NUT 1/4-20 KEP	8
7	SCREW 1/4-20 X 1/2	8
8	FLAT NYLON WASHER 1/4" ID.	8
9	SCREW 6-32X1/4 SELF TAPPING	6

**PART NUMBERS**

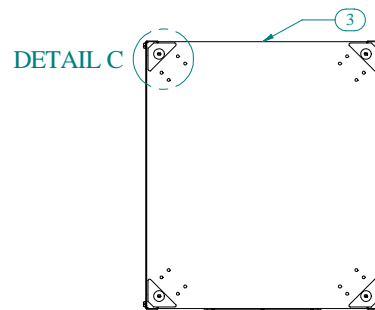
REFK1903524BK1	PAINTED BLACK TEXTURED
REFK1903524CG1	PAINTED CONT. GRAY TEXTURED
REFK1903524LG1	PAINTED RAL7035 TEXTURED

**NOTES**

Shipped knockdown for handling ease & protection.

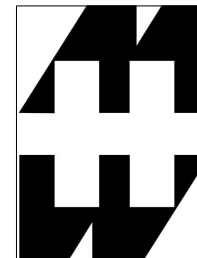


DETAIL C



BOTTOM VIEW

Data subject to change without notice. Isometric drawing not to scale.



**HAMMOND  
MANUFACTURING™**

www.hammondmfg.com

PART NO. REFK1903524