



Chipsmall Limited consists of a professional team with an average of over 10 year of expertise in the distribution of electronic components. Based in Hongkong, we have already established firm and mutual-benefit business relationships with customers from,Europe,America and south Asia,supplying obsolete and hard-to-find components to meet their specific needs.

With the principle of “Quality Parts,Customers Priority,Honest Operation,and Considerate Service”,our business mainly focus on the distribution of electronic components. Line cards we deal with include Microchip,ALPS,ROHM,Xilinx,Pulse,ON,Everlight and Freescale. Main products comprise IC,Modules,Potentiometer,IC Socket,Relay,Connector.Our parts cover such applications as commercial,industrial, and automotives areas.

We are looking forward to setting up business relationship with you and hope to provide you with the best service and solution. Let us make a better world for our industry!



## Contact us

Tel: +86-755-8981 8866 Fax: +86-755-8427 6832

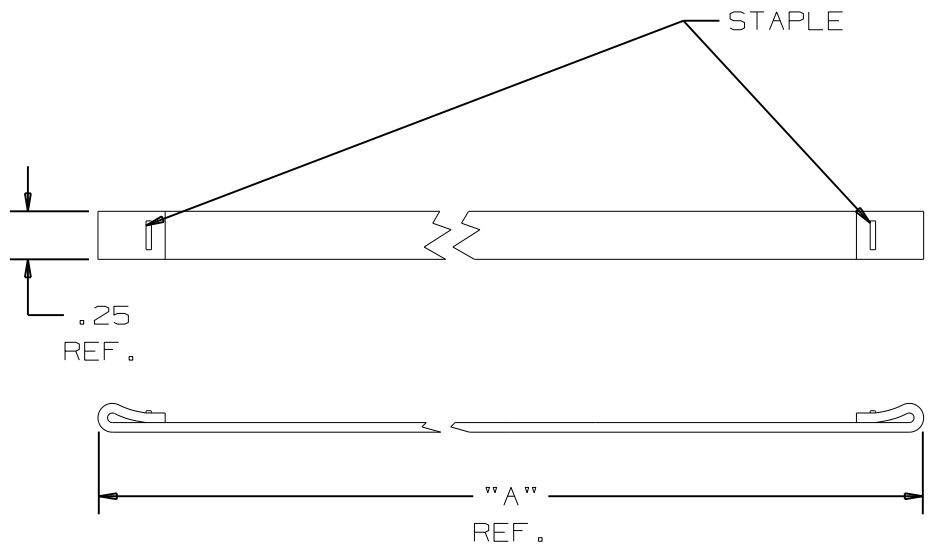
Email & Skype: info@chipsmall.com Web: www.chipsmall.com

Address: A1208, Overseas Decoration Building, #122 Zhenhua RD., Futian, Shenzhen, China



THIS COPY IS PROVIDED ON A RESTRICTED BASIS AND IS NOT TO BE USED IN ANY WAY DETRIMENTAL TO THE INTERESTS OF PANDUIT CORP.

PANDUIT PART NO.	"A" DIMENSION
RER.5E	3.15 (80.0) 3.05 (77.5)
RER.75E	4.30 (109.2) 4.20 (106.7)
RER1.25E	6.35 (161.3) 6.25 (158.8)
RER2.0E	8.72 (221.4) 8.28 (210.4)



NOTES:

- 1) DIMENSIONS ARE AS MATERIAL IS IN A RELAXED STATE.
- 2) MATERIAL COLOR: BLACK.

(DIMENSIONS IN PARENTHESIS ARE IN METRIC)

										CAD FILENAME/LAYERS		10B015EG/00	
										PANDUIT CORP. TINLEY PARK, ILLINOIS			
										RER.5, RER.75, RER1.25, RER2.0, REPLACEMENT ELASTIC STRAPS			
										UNLESS OTHERWISE SPECIFIED, DIMENSIONAL TOLERANCES ARE: (.X) ±                    (.XXX) ± (.XX) ±                    ANGLES ±		UNLESS OTHERWISE SPECIFIED, ALL DIMENSIONS ARE GIVEN IN INCHES, THIRD ANGLE PROJECTION.	
										DRAWN BY BWG		MAT'L; POLYESTER ELASTIC	
										DATE 4/11/11		SCALE FULL	
										CHK'D		DRAWING NO. 10B015EG	
R	04/11/11	BWG	MPH	DRAWING RELEASED			10B015EG	00	PBC				DWG SIZE A
REV	DATE	BY	CHK	DESCRIPTION			ECN	R	CUST	SUP			