



Chipsmall Limited consists of a professional team with an average of over 10 year of expertise in the distribution of electronic components. Based in Hongkong, we have already established firm and mutual-benefit business relationships with customers from,Europe,America and south Asia,supplying obsolete and hard-to-find components to meet their specific needs.

With the principle of “Quality Parts,Customers Priority,Honest Operation,and Considerate Service”,our business mainly focus on the distribution of electronic components. Line cards we deal with include Microchip,ALPS,ROHM,Xilinx,Pulse,ON,Everlight and Freescale. Main products comprise IC,Modules,Potentiometer,IC Socket,Relay,Connector.Our parts cover such applications as commercial,industrial, and automotives areas.

We are looking forward to setting up business relationship with you and hope to provide you with the best service and solution. Let us make a better world for our industry!



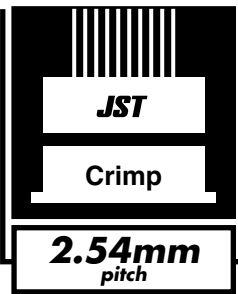
Contact us

Tel: +86-755-8981 8866 Fax: +86-755-8427 6832

Email & Skype: info@chipsmall.com Web: www.chipsmall.com

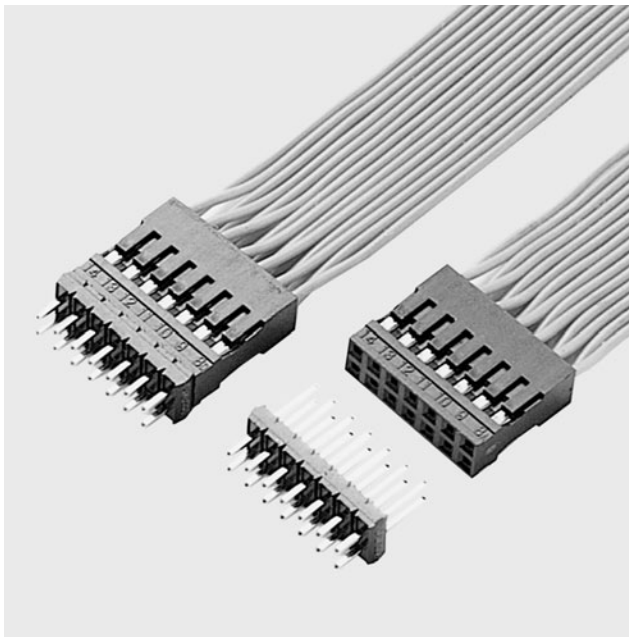
Address: A1208, Overseas Decoration Building, #122 Zhenhua RD., Futian, Shenzhen, China



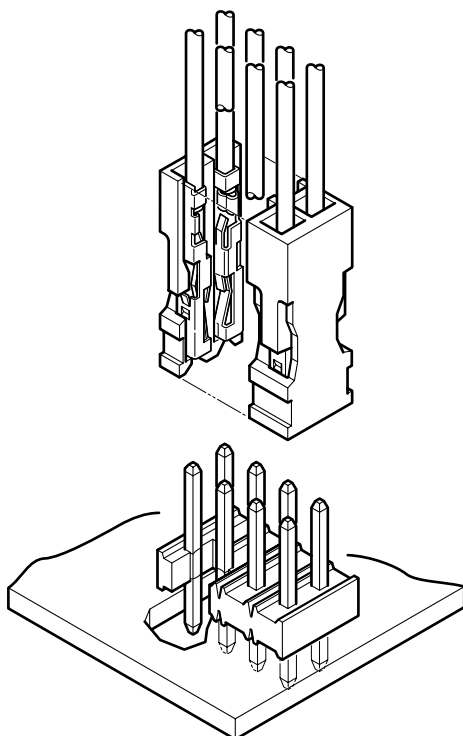


RF CONNECTOR

Disconnectable Crimp style connectors



The RF connector was developed as a highly reliable, low-cost, crimp style connector for connecting wires to printed circuit boards. Well suited for internal connections in office automation equipment, such as personal computers, office computers and their peripheral devices.



Features

• **Highly reliable, yet low in cost**

Our original double-leaf spring construction withstands the stresses caused by repeated insertions and withdrawals and ensures reliable contact performance. Depending on the application, the socket contacts and header posts can be selectively gold-plated or fully tin-plated to minimize costs.

• **Space-saving, high-density design**

The 2.54mm pitch contacts are arranged in two rows. The mated connectors can be placed side by side or end to end without a loss in pitch. This facilitates space-saving, high-density circuit designs.

• **Easy connection**

A slight force is all that is required for contact insertion because the housing has resilient lances. Furthermore, the positions of the contacts in the housing can be visually checked. This facilitates insertion of the contacts in the housing.

• **It can be cut to any length to provide a header with any number of circuits**

Notches are provided on the insulator that allow it to be cut to any length without using special tools.

Specifications

- Current rating: 2A AC, DC (AWG #24)
- Voltage rating: 250V AC, DC
- Temperature range: (including temperature rise in applying electrical current)
 - 55°C to +105°C (gold-plated)
 - 55°C to +85°C (tin-plated)
- Contact resistance: Initial value/15m Ω max.
After environmental testing/30m Ω max.
- Insulation resistance: 1,000M Ω min.
- Withstanding voltage: 1,500V AC/minute
- Applicable wire: AWG #30 to #24
- Applicable PC board thickness: 1.2 to 1.6mm
- * Compliant with RoHS.
- * Refer to "General Instruction and Notice when using Terminals and Connectors" at the end of this catalog.
- * Contact JST for details.

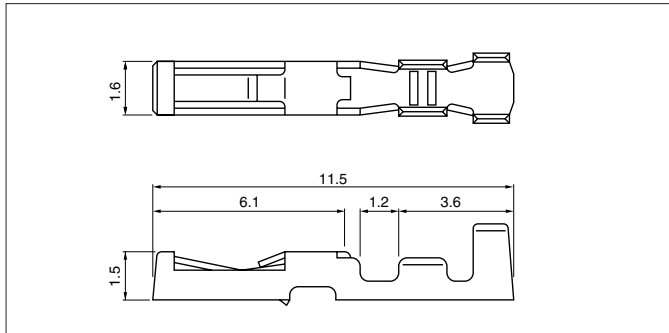
Standards

Recognized E60389

Certified LR20812

RF CONNECTOR

Contact



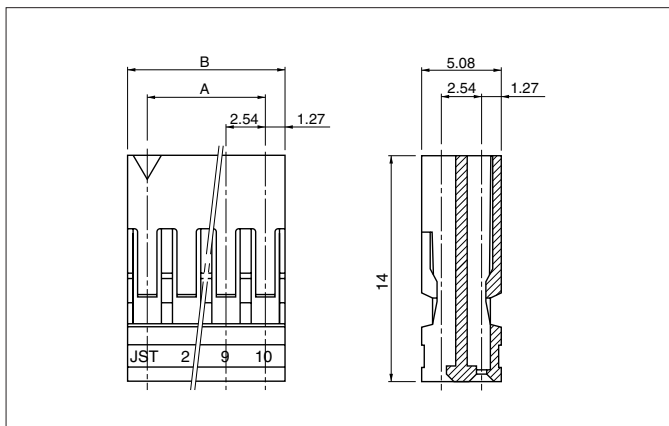
Model No.	Applicable wire			Finish	Q'ty / reel
	mm ²	AWG #	Insulation O.D. (mm)		
RF-SC2210	0.05 to 0.22	30 to 24	0.9 to 1.5	Nickel-undercoated, Mating part: gold-plated	10,000
RF-SC2290				Crimping part: tin-plated (reflow treatment)	

Material

Phosphor bronze

RoHS compliance RF-SC2210 displays (LF)(SN) on a label.

Housing



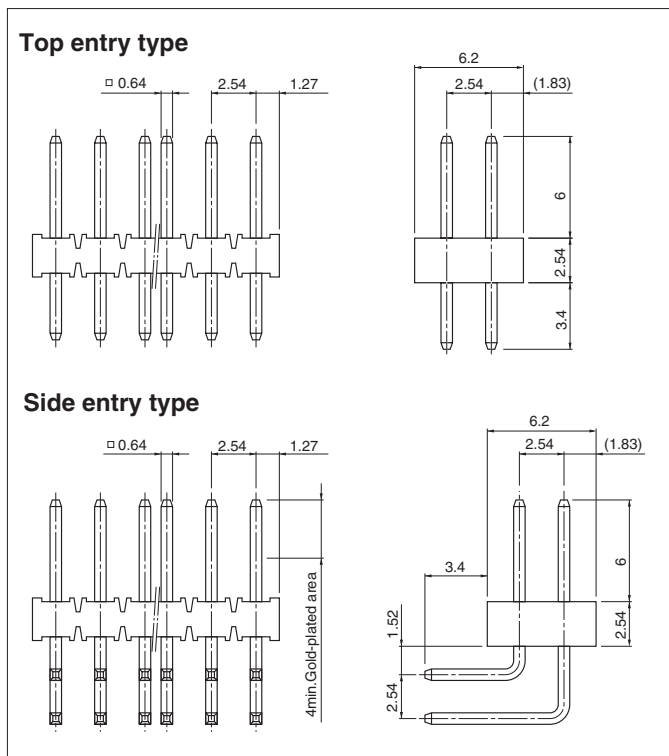
Cir- cuits	Model No.	Dimensions (mm)		Q'ty / box
		A	B	
6	RF-06	5.08	7.62	500
8	RF-08	7.62	10.16	500
10	RF-10	10.16	12.70	500
12	RF-12	12.70	15.24	500
14	RF-14	15.24	17.78	300
16	RF-16	17.78	20.32	300
20	RF-20	22.86	25.40	200
28	RF-28	33.02	35.56	200

Material

PBT, UL94V-0, black

RoHS compliance

Header



Top entry type

Model No.	Material		Finish
	Wafer	Post	
RF-H(*) 2TD-1130	PBT, UL94V-0, black (natural)	Brass	Nickel-undercoated, gold-plated
RF-H(*) 2TD-1190			Copper-undercoated, tin-plated (reflow treatment)

Side entry type

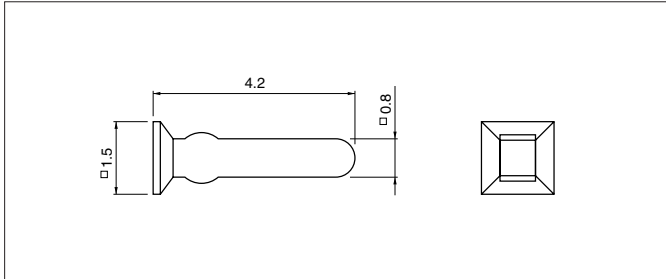
Model No.	Material		Finish
	Wafer	Post	
RF-H(*) 2SD-1110	PBT, UL94V-0, black (natural)	Brass	Nickel-undercoated, Mating part: gold-plated Solder tail: tin-plated (reflow treatment)
RF-H(*) 2SD-1190			Copper-undercoated, tin-plated (reflow treatment)

RoHS compliance Tin-plated product displays (LF)(SN) on a label.

Note:

1. A two-digit number (06 to 16 even numbers only, 20 and 28) representing the number of circuits should be inserted in (*).
2. Contact JST for special products.

Polarizing key



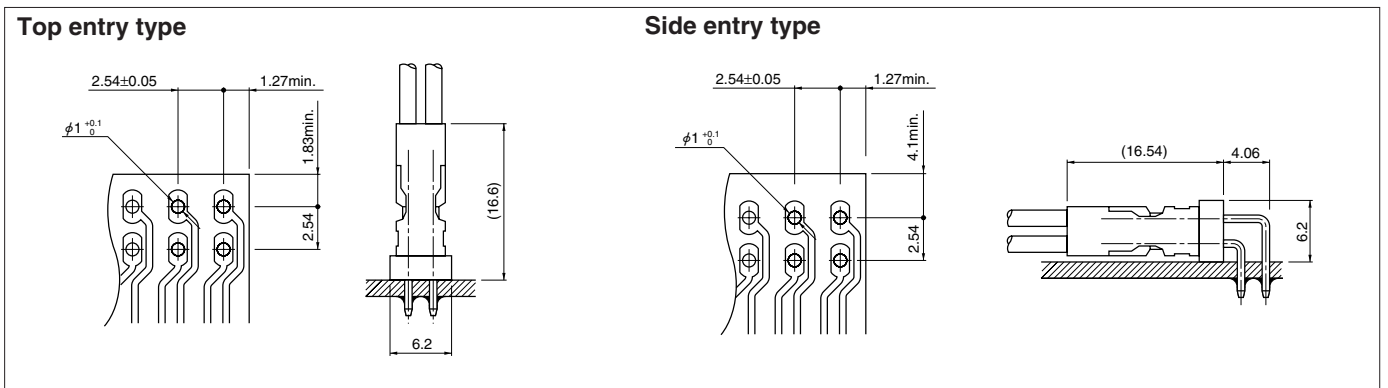
Model No.	Q'ty / bag
PK-RF-1	10,000

Material
PBT, UL94V-0, natural (white)

RoHS compliance

Polarizing key: The polarizing key in the housing prevents misinsertion of the connector to the header.

PC board layout (viewed from soldering side) and Assembly layout



Note:

1. Tolerances are non-cumulative: $\pm 0.05\text{mm}$ for all centers.
2. Hole dimensions differ according to the kind of PC board and piercing method. The dimensions above should serve as a guideline. Contact JST for details.

Crimping machine, Applicator

Contact	Crimping machine	Crimp applicator	Dies	Crimp applicator with dies
RF-SC2210 RF-SC2290	AP-K2N	MKS-L	MK/RF-SC22	APLMK RF-SC22
		—	—	—