



Chipsmall Limited consists of a professional team with an average of over 10 year of expertise in the distribution of electronic components. Based in Hongkong, we have already established firm and mutual-benefit business relationships with customers from,Europe,America and south Asia,supplying obsolete and hard-to-find components to meet their specific needs.

With the principle of “Quality Parts,Customers Priority,Honest Operation,and Considerate Service”,our business mainly focus on the distribution of electronic components. Line cards we deal with include Microchip,ALPS,ROHM,Xilinx,Pulse,ON,Everlight and Freescale. Main products comprise IC,Modules,Potentiometer,IC Socket,Relay,Connector.Our parts cover such applications as commercial,industrial, and automotives areas.

We are looking forward to setting up business relationship with you and hope to provide you with the best service and solution. Let us make a better world for our industry!



Contact us

Tel: +86-755-8981 8866 Fax: +86-755-8427 6832

Email & Skype: info@chipsmall.com Web: www.chipsmall.com

Address: A1208, Overseas Decoration Building, #122 Zhenhua RD., Futian, Shenzhen, China



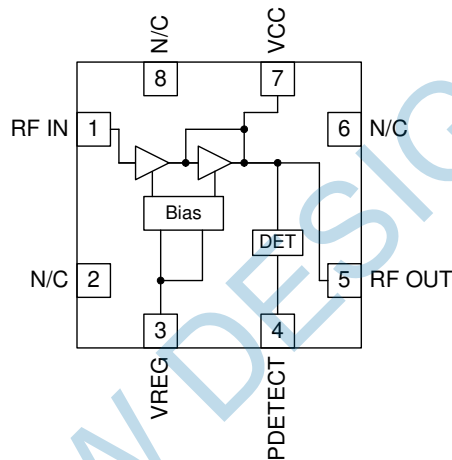


Features

- Single Power Supply 1.8V to 3.6V
- Very Low Current (see table for all modes)
- >5dBm 11g P_{OUT}@<1% and 10dBm 11g P_{OUT}@≤4%
- P_{OUT}=19dBm Meeting Class 1 BT
- Gain: 28dB Typ 11b/g/BT

Applications

- IEEE802.11b/g/n Driver/Amplifier
- General Purpose Amplification
- Class 1 Bluetooth Power Amplifier
- Driver Amplifier for TX Power Amplifier



Functional Block Diagram

Product Description

The RF5373 is a linear driver/amplifier that meets the FCC and ETSI requirements for operation in the 2.4GHz to 2.5GHz (IEEE802.11b/g/n and BT Class 1) bands. Operating from a single 1.8V to 3.6V supply, the amplifier will easily be incorporated into WiFi designs with minimal external components. The device is manufactured on an advanced InGaP Gallium Arsenide Heterojunction Bipolar Transistor (HBT) process. The device is provided in a 2.2mmx2.2mmx0.6mm, 8-pin, QFN with a backside ground.

Ordering Information

RF5373	Standard 25 piece bag
RF5373SR	Standard 100 piece reel
RF5373TR7	Standard 2500 piece reel
RF5373PCK-410	Fully assembled evaluation board tuned for 2.4GHz to 2.5GHz and 5 loose sample pieces

Optimum Technology Matching® Applied

- | | | | |
|---|--------------------------------------|-------------------------------------|-----------------------------------|
| <input type="checkbox"/> GaAs HBT | <input type="checkbox"/> SiGe BiCMOS | <input type="checkbox"/> GaAs pHEMT | <input type="checkbox"/> GaN HEMT |
| <input type="checkbox"/> GaAs MESFET | <input type="checkbox"/> Si BiCMOS | <input type="checkbox"/> Si CMOS | |
| <input checked="" type="checkbox"/> InGaP HBT | <input type="checkbox"/> SiGe HBT | <input type="checkbox"/> Si BJT | |

Absolute Maximum Ratings

Parameter	Rating	Unit
Supply Voltage	-0.5 to +3.6	V
DC Supply Current	90	mA
RF - Input Power	15	dBm
Operating Temperature	-30 to +85	°C
Storage Temperature	-40 to +100	°C
Moisture Sensitivity	JEDEC Level 3	
ESD Human Body Model (EIA/JESD22-114-A)	600	V
ESD Machine Model (EIA/JESD22-115-A)	100	V



Caution! ESD sensitive device.

Exceeding any one or a combination of the Absolute Maximum Rating conditions may cause permanent damage to the device. Extended application of Absolute Maximum Rating conditions to the device may reduce device reliability. Specified typical performance or functional operation of the device under Absolute Maximum Rating conditions is not implied.

RoHS status based on EU Directive 2002/95/EC (at time of this document revision).

The information in this publication is believed to be accurate and reliable. However, no responsibility is assumed by RF Micro Devices, Inc. ("RFMD") for its use, nor for any infringement of patents, or other rights of third parties, resulting from its use. No license is granted by implication or otherwise under any patent or patent rights of RFMD. RFMD reserves the right to change component circuitry, recommended application circuitry and specifications at any time without prior notice.

Parameter	Specification			Unit	Condition
	Min.	Typ.	Max.		
IEEE802.11b					Nominal conditions: $V_{CC}=3.1V$, $V_{REG}=1.75V$, Freq = 2.45 GHz, Temp = +25 °C, unless otherwise specified.
Frequency	2.4		2.5	GHz	
Output Power		12	16	dBm	Meeting IEEE802.11b spectral mask requirements
Gain	25	28		dB	2.4GHz to 2.5GHz
Gain Variance Over Temperature -30 °C to +85 °C		1.0		±dB	2.4GHz to 2.5GHz
Second Harmonic			-27	dBm	Fundamental frequency is between 2400MHz to 2500MHz ($RFP_{OUT}=+12dBm$), see note 2
802.11b Adjacent Channel Power		-38	-32	dBc	$P_{OUT}=12dBm$ at nominal conditions
Alternate Channel Power		-56	-52	dBc	$P_{OUT}=12dBm$ at nominal conditions
IEEE802.11b Spectral Mask per FCC Part 15.205			-43	dBm	Amplifier setup for best IEEE802.11g performance; FC = 2412MHz; $RFP_{OUT}=+12dBm$; IEEE802.11b CCK 11Mbps modulation; T = +25 °C; measured at FC - 25MHz
			-43	dBm	Amplifier setup for best IEEE802.11g performance; FC = 2462MHz; $RFP_{OUT}=+12dBm$; IEEE802.11b CCK 11Mbps modulation; T = +25 °C; measured at FC + 25MHz
Operating Current		50		mA	$P_{OUT}=12dBm$ at nominal conditions
Idle Current		45		mA	At nominal conditions with no RF
I_{REG} Current		5.5	6.5	mA	
Shutdown Current			10	µA	
Power Detector					
$P_{OUT}=+10dBm$	0.5	0.6	0.7	V	
$P_{OUT}=+12dBm$	0.52	0.65	0.75	V	
Input Capacitance		5		pF	
Bandwidth		8		MHz	

Parameter	Specification			Unit	Condition
	Min.	Typ.	Max.		
IEEE802.11g					Nominal conditions: $V_{CC}=3.1V$, $V_{REG}=1.75V$ pulsed at 1% to 100% duty cycle, Freq=2.45GHz, Temp=+25°C, unless otherwise specified.
Frequency	2.4		2.5	GHz	
Output Power		10	12	dBm	2.4GHz to 2.5GHz
EVM			4	%	
Gain	25	28		dB	2.4GHz to 2.5GHz
Gain Variance Over Temperature -30°C to +85°C		1.0		±dB	2.4GHz to 2.5GHz
Second Harmonic			-27	dBm	Fundamental frequency is between 2400MHz to 2500MHz (RFP _{OUT} =+10dBm), see note 2
IEEE802.11g Spectral Mask per FCC Part 15.205			-43	dBm	Amplifier setup for best IEEE802.11g performance; FC=2412MHz; RFP _{OUT} =+10dBm; IEEE802.11b CCK 11Mbps modulation; T=+25°C; measured at FC-25MHz
			-43	dBm	Amplifier setup for best IEEE802.11g performance; FC=2462MHz; RFP _{OUT} =+10dBm; IEEE802.11b CCK 11Mbps modulation; T=+25°C; measured at FC+25MHz
Operating Current		50		mA	P _{OUT} =+10dBm at nominal conditions
Idle Current		45		mA	At nominal conditions with no RF
I _{REG} Current		5.5		mA	
Shutdown Current			10	µA	
Power Detector					
P _{OUT} =+10dBm	0.40	0.55	0.7	V	
Input Capacitance		5		pF	
Bandwidth		8		MHz	
Turn-On Time		1.5	1.8	µS	Output stable to within 90% of final gain, see note 1.

Parameter	Specification			Unit	Condition
	Min.	Typ.	Max.		
Bluetooth Class 1					Nominal conditions: $V_{CC}=3.1V$, $V_{REG}=1.75V$, Freq=2.45GHz, Temp=+25°C, unless otherwise specified.
Frequency	2.4		2.5	GHz	
Output Power BT version 1.2		19		dBm	Meeting Class 1 Bluetooth version 1.2 specification
Output Power BT version 2.0		16			Meeting Class 1 Bluetooth version 2.0 specification
Large Signal Gain	25	28		dB	Measured at rated output power; nominal conditions
Second Harmonic			-27	dBm	Fundamental frequency is between 2400MHz to 2500MHz (RFP _{OUT} =+16dBm), see note 2
Operating Current		65		mA	P _{OUT} =16dBm at nominal conditions
Idle Current		45		mA	At nominal conditions with no RF
I _{REG} Current		5.5		mA	
Shutdown Current			10	μA	
Power Supply					
V _{CC} Supply Voltage	1.8	3.1	3.6	V	
V _{REG} Voltage	1.6	1.75	1.85	V	

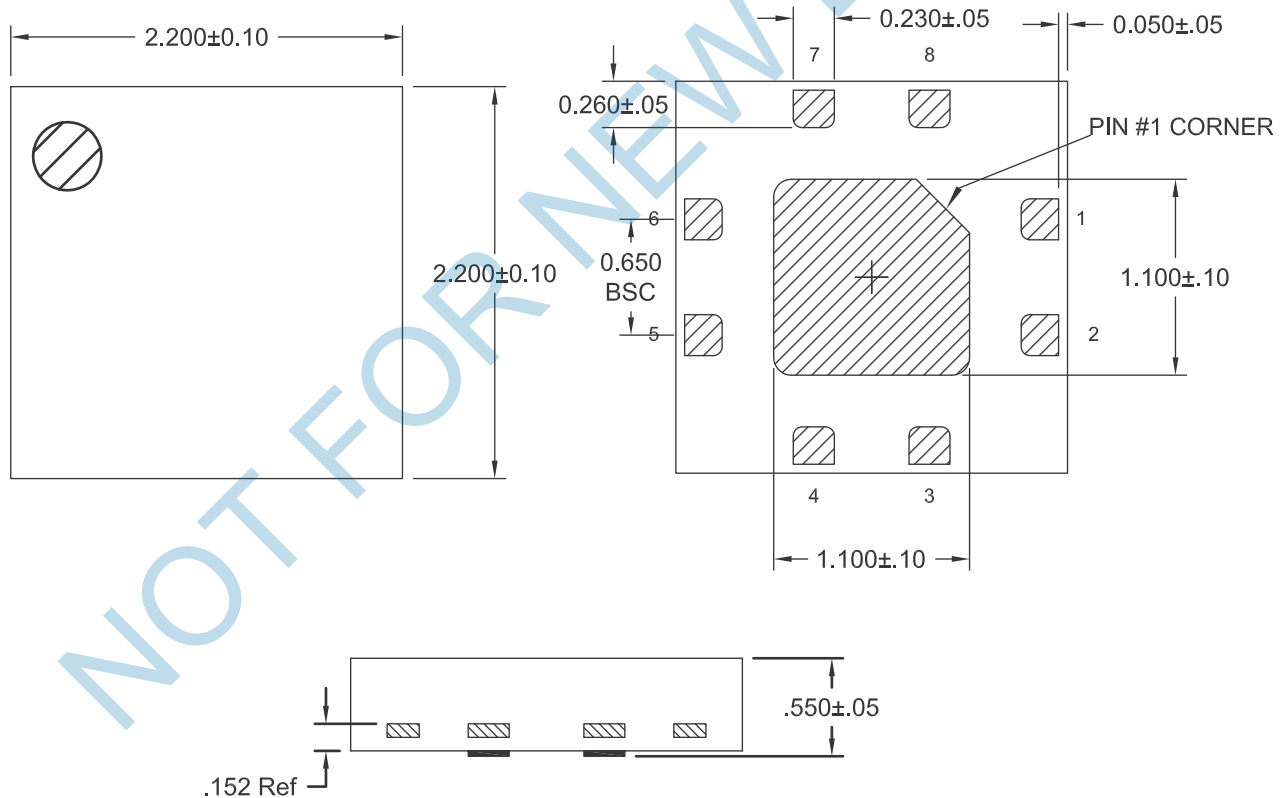
Note 1: The PA must operate with gated bias at 1% to 99% duty cycles without any EVM or other parameter degradation with R1=56Ω.

Note 2: For best harmonic rejection please refer to the harmonic rejection application schematic.

NOT FOR NEW DESIGN

Pin	Function	Description	Interface Schematic
1	RF IN	RF input pin. See evaluation board schematic for details.	
2	N/C	No Connect, this pin may be left as a no connect or connected to ground.	
3	VREG	Bias current control voltage for the first and second stages.	
4	PDETECT or NC*	Provides an output voltage proportional to the output RF level. *In applications where the P _{DETECT} is not desired, this pin may be left unconnected.	
5	RF OUT	RF output.	
6	N/C	No Connect, this pin may be left as a no connect or connected to ground.	
7	VCC	Power supply for both the first and second stage. Connect as shown on the evaluation board schematic.	
8	N/C	No Connect, this pin may be left as a no connect or connected to ground.	
Pkg Gnd	GND	Ground connection for the device "die flag". The backside of the package should be soldered to a top side ground pad which is connected to the PC board ground plane through multiple vias.	

Package Drawing



Theory of Operation

The RF5373 is a linear driver/amplifier that is designed for the 2.4GHz to 2.5GHz (IEEE802.11b/g and BT Class 1) band. Operating from a single 1.8V to 3.6V supply, the amplifier will easily be incorporated into WiFi designs with minimal external components. The device is provided in a 2.2mmx2.2mmx0.6mm, 8-pin, QFN with a backside ground.

The RF5373 is a two-stage device with a nominal gain of 28dB to 29dB in the 2.4GHz to 2.5GHz ISM band. The RF5373 is designed for multiple applications in the 2.4GHz to 2.5GHz band. The RF5373 requires only a single positive supply of 1.8V to 3.6V to operate to full specification. Power control is provided through one bias control input pin (V_{REG}) which can range from 1.6V nominal and 1.85V maximum. The PA circuit layout from the evaluation board should be copied as closely as possible, particularly the ground layout and ground vias. Other configurations may also work, but the design process is much easier and quicker if the layout is copied from the RF5373 evaluation board. Gerber files of our designs are available on request.

There are multiple applications where the RF5373 may be implemented, including IEEE802.11b/g and Bluetooth. Please review the RF5373 schematics for the optimum layout for a specific band. In order to obtain the best performance for an 802.11g application where the PA will be pulsed at <99% duty cycle, R1 must be populated with a 56 Ω resistor. For all other applications where pulsing is not needed, R1 can be substituted with a 0 Ω or a trace line.

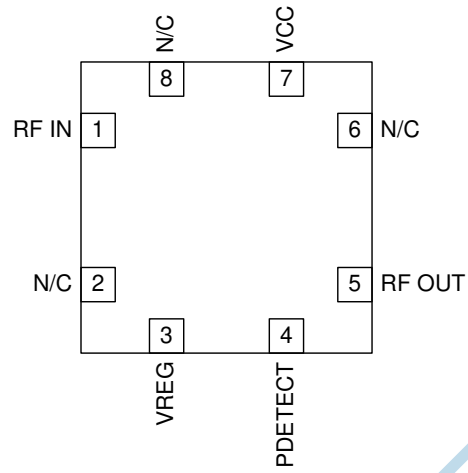
An application schematic for 2.5GHz operation is included that has two additional components, one shunt inductor, and one shunt capacitor, on the output for improved second harmonic rejection. This layout provides ~20dB rejection at 5GHz with a minimal BOM count.

The RF5373 is not a difficult part to implement, but care in circuit layout and component selection is always advisable when designing circuits to operate at 2.5GHz. The RF5373 evaluation board layout and schematic is also available using 0201 components which will help shrink the size of the total area of the power amplifier and matching components on the intended design.

Please contact RFMD Sales or Applications Engineering for additional data and guidance.

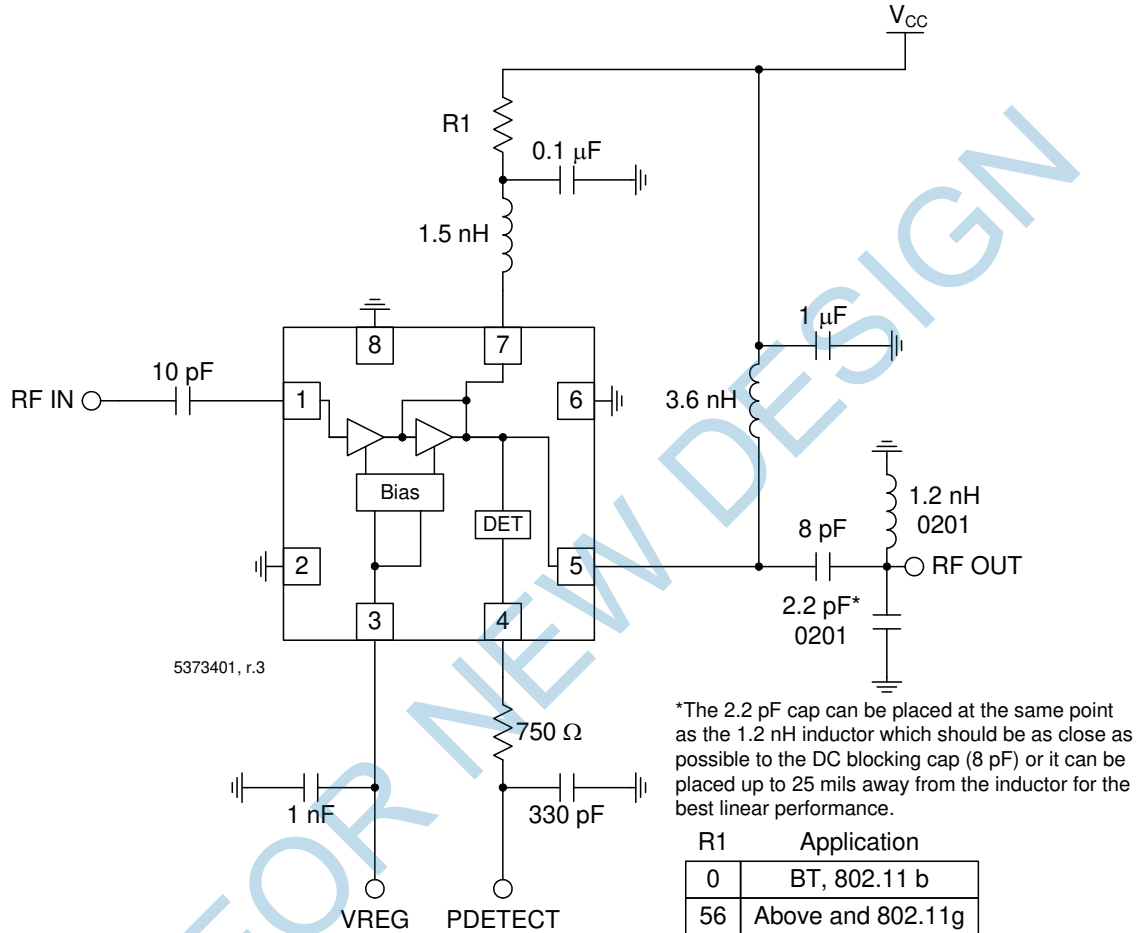
NOT FOR NEW DESIGNS

Pin Out



NOT FOR NEW DESIGN

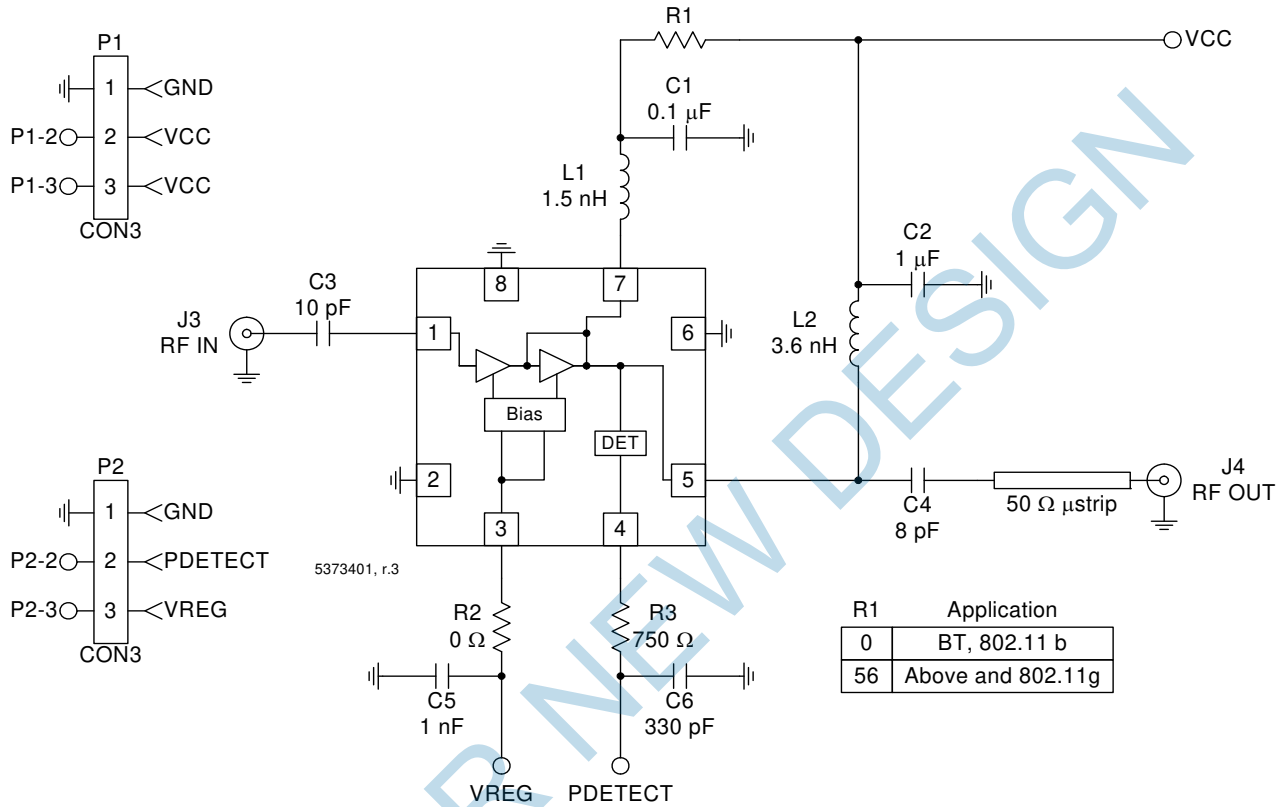
Application Schematic IEEE802.11b/g and Bluetooth Class Low Band Application Schematic for Harmonics Rejection



NOTES:

1. For VREG that is higher than the nominal voltage specified, a resistor bridge can be used to drop the voltage for VREG to the appropriate level needed at the pins.
2. This evaluation board schematic and layout are also available using 0201 components. Please contact RFMD applications engineering for more information.

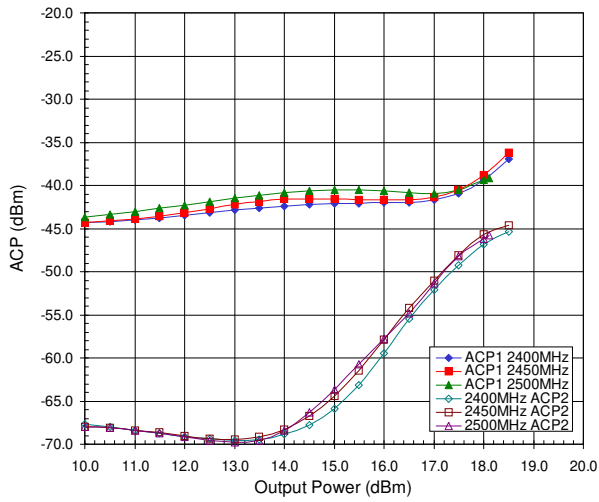
**Evaluation Board Schematic
IEEE802.11b/g and Bluetooth Class 1,
High Pass Output Match Tune**



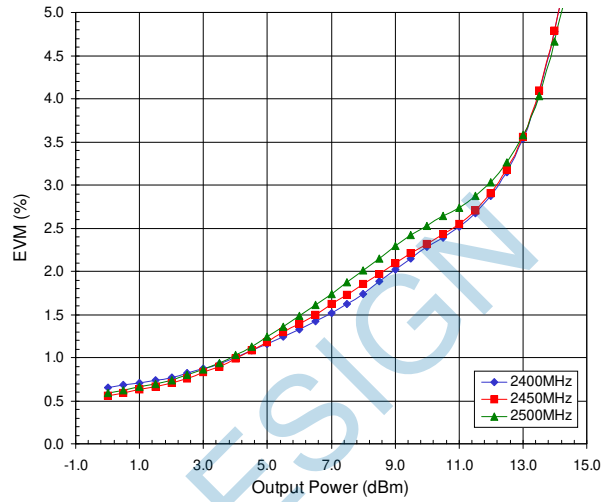
NOTES:

- For VREG that is higher than the nominal voltage specified, a resistor bridge can be used to drop the voltage for VREG to the appropriate level needed at the pins.
- This evaluation board schematic and layout are also available using 0201 components. Please contact RFMD applications engineering for more information.

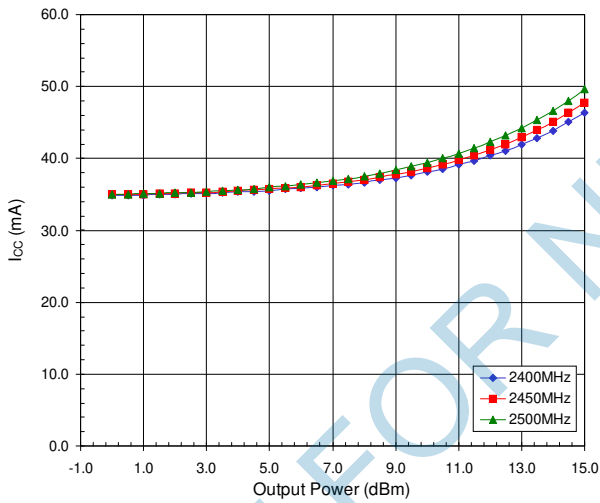
ACP versus P_{OUT}



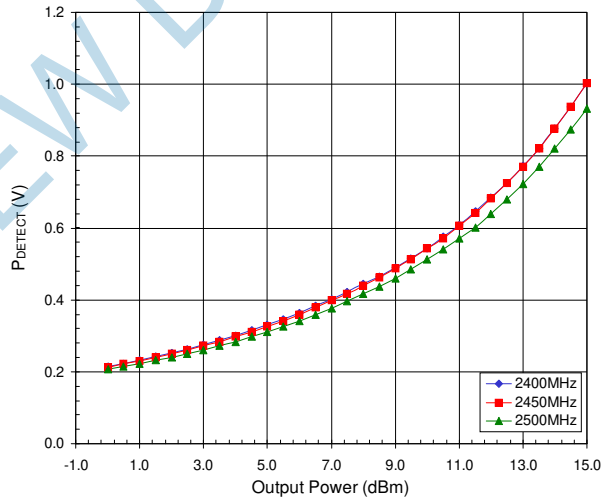
EVM versus P_{OUT}



Operating Current versus P_{OUT}



P_{DETECT} versus P_{OUT}



PCB Design Requirements

PCB Surface Finish

The PCB surface finish used for RFMD's qualification process is electroless nickel, immersion gold. Typical thickness is 3µinch to 8µinch gold over 180µinch nickel.

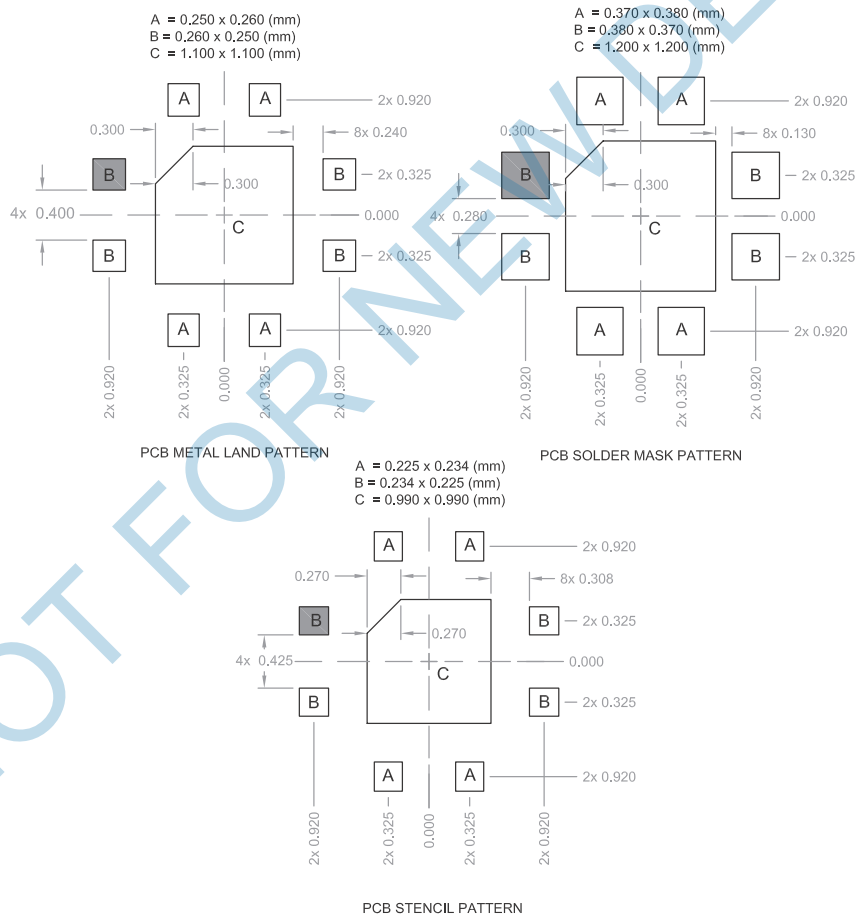
PCB Land Pattern Recommendation

PCB land patterns are based on IPC-SM-782 standards when possible. The pad pattern shown has been developed and tested for optimized assembly at RFMD; however, it may require some modifications to address company specific assembly processes. The PCB land pattern has been developed to accommodate lead and package tolerances.

PCB Solder Mask Pattern

Liquid Photo-Imageable (LPI) solder mask is recommended. The solder mask footprint will match what is shown for the PCB metal land pattern with a 2mil to 3mil expansion to accommodate solder mask registration clearance around all pads. The center-grounding pad shall also have a solder mask clearance. Expansion of the pads to create solder mask clearance can be provided in the master data or requested from the PCB fabrication supplier.

PCB Metal Land and Solder Mask Pattern



Note:
 Shaded area represents Pin 1.

Thermal vias for center slug "C" should be incorporated into the PCB design. The number and size of thermal vias will depend on the application, the power dissipation, and the electrical requirements. Example of the number and size of vias can be found on the RFMD evaluation board layout.

RoHS* Banned Material Content

RoHS Compliant: Yes
 Package total weight in grams (g): 0.008
 Compliance Date Code: N/A
 Bill of Materials Revision: A
 Pb Free Category: e3

Bill of Materials	Parts Per Million (PPM)					
	Pb	Cd	Hg	Cr VI	PBB	PBDE
Die	0	0	0	0	0	0
Molding Compound	0	0	0	0	0	0
Lead Frame	0	0	0	0	0	0
Die Attach Epoxy	0	0	0	0	0	0
Wire	0	0	0	0	0	0
Solder Plating	0	0	0	0	0	0

This RoHS banned material content declaration was prepared solely on information, including analytical data, provided to RFMD by its suppliers, and applies to the Bill of Materials (BOM) revision noted

* DIRECTIVE 2002/95/EC OF THE EUROPEAN PARLIAMENT AND OF THE COUNCIL of 27 January 2003 on the restriction of the use of certain hazardous substances in electrical and electronic equipment

NOT FOR NEW DESIGN