



Chipsmall Limited consists of a professional team with an average of over 10 year of expertise in the distribution of electronic components. Based in Hongkong, we have already established firm and mutual-benefit business relationships with customers from,Europe,America and south Asia,supplying obsolete and hard-to-find components to meet their specific needs.

With the principle of “Quality Parts,Customers Priority,Honest Operation,and Considerate Service”,our business mainly focus on the distribution of electronic components. Line cards we deal with include Microchip,ALPS,ROHM,Xilinx,Pulse,ON,Everlight and Freescale. Main products comprise IC,Modules,Potentiometer,IC Socket,Relay,Connector.Our parts cover such applications as commercial,industrial, and automotives areas.

We are looking forward to setting up business relationship with you and hope to provide you with the best service and solution. Let us make a better world for our industry!



## Contact us

Tel: +86-755-8981 8866 Fax: +86-755-8427 6832

Email & Skype: info@chipsmall.com Web: www.chipsmall.com

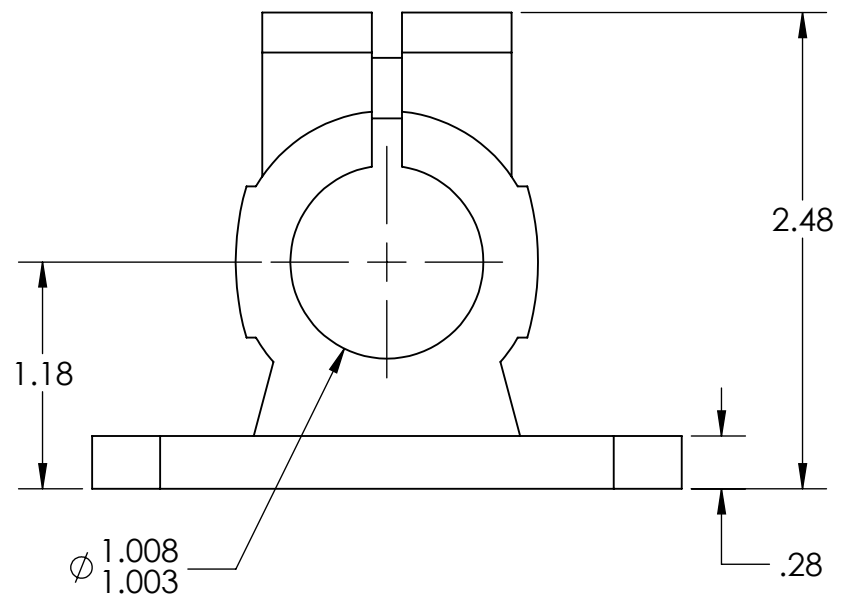
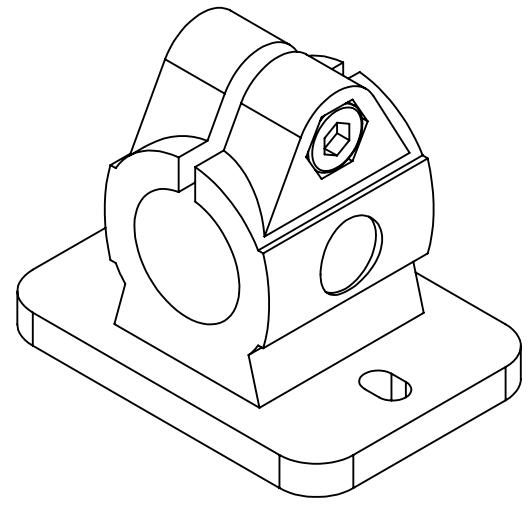
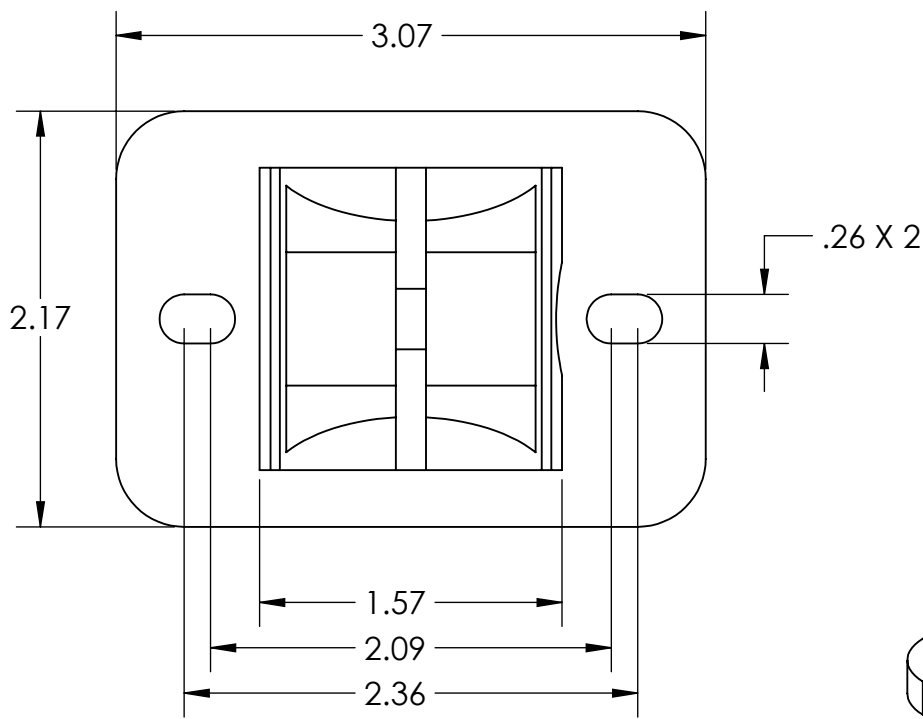
Address: A1208, Overseas Decoration Building, #122 Zhenhua RD., Futian, Shenzhen, China



REVISION HISTORY-- ALL SHEETS ARE THE SAME REVISION STATUS

REV A  
 SH 1 of 1  
 DWG NO RFA.1000

REV	DESCRIPTION	DATE	APPROVED
-----	-------------	------	----------



**CONFIDENTIAL**  
 © 2016 Phoenix Mecano Inc. This drawing is the property of Phoenix Mecano Inc. and embodies confidential information, trade secret information, and/or know-how which is the property of Phoenix Mecano Inc. By accepting this drawing, the recipient agrees not to provide, or otherwise make available, the drawing, or any information or know-how embodied therein, to any third party without prior written authorization.

UNLESS OTHERWISE SPECIFIED  
 DIM ARE IN INCHES  
 TOLERANCE:  
 ANGLE  $\pm .5^\circ$   
 1 PL  $\pm .030$   
 2 PL  $\pm .010$   
 3 PL  $\pm .005$   
 INTERPRET DIM AND TOL PER  
 ASME Y14.5M-1994

THIRD ANGLE PROJECTION

DRAWN **Chi Pong**  
 APPROVED  
 APPROVED

Phoenix Mecano Inc.  
 7330 Executive Way  
 Frederick, MD 21704  
 (301) 696-9411 voice  
 (301) 696-9494 fax

TITLE  
**RK Clamp Catalog Drawing**

SIZE <b>A</b>	CAGE CODE <b>1L9R7</b>	DWG NO <b>RFA.1000</b>	REV <b>A</b>
SCALE <b>NTS</b>	DATE <b>7/14/2016</b>	SHEET <b>1 of 1</b>	