



Chipsmall Limited consists of a professional team with an average of over 10 year of expertise in the distribution of electronic components. Based in Hongkong, we have already established firm and mutual-benefit business relationships with customers from,Europe,America and south Asia,supplying obsolete and hard-to-find components to meet their specific needs.

With the principle of “Quality Parts,Customers Priority,Honest Operation,and Considerate Service”,our business mainly focus on the distribution of electronic components. Line cards we deal with include Microchip,ALPS,ROHM,Xilinx,Pulse,ON,Everlight and Freescale. Main products comprise IC,Modules,Potentiometer,IC Socket,Relay,Connector.Our parts cover such applications as commercial,industrial, and automotives areas.

We are looking forward to setting up business relationship with you and hope to provide you with the best service and solution. Let us make a better world for our industry!



Contact us

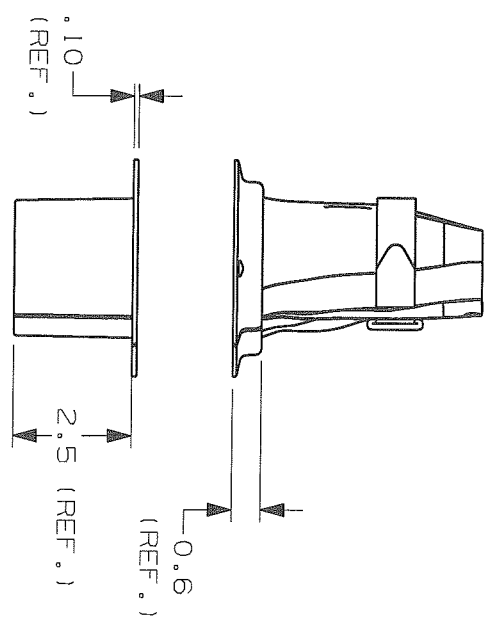
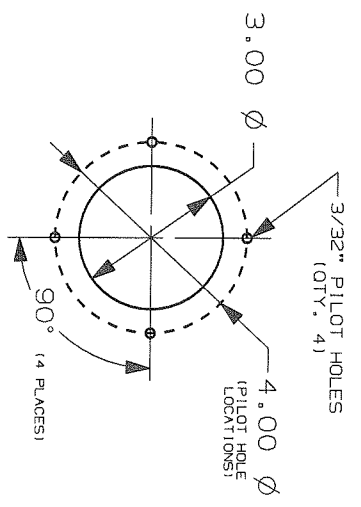
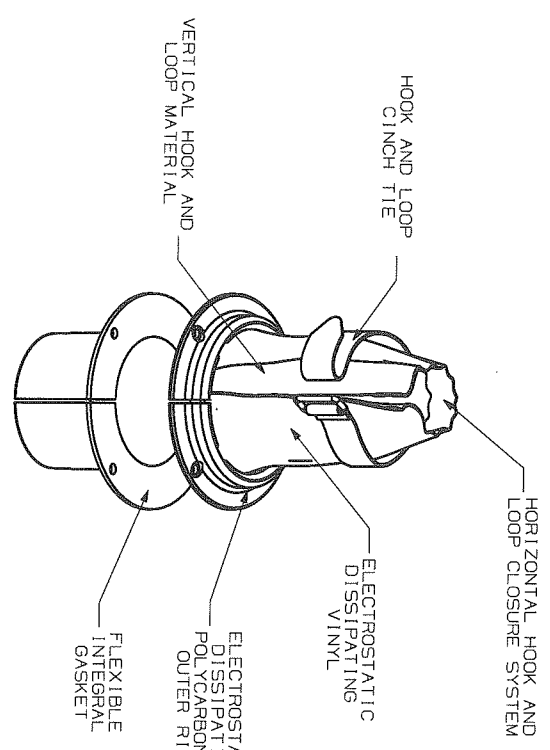
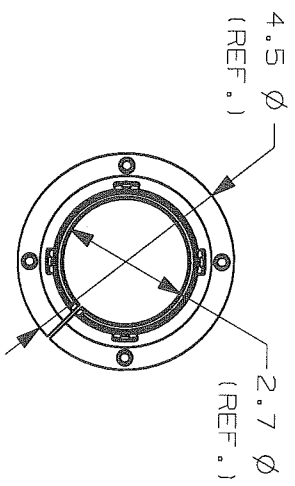
Tel: +86-755-8981 8866 Fax: +86-755-8427 6832

Email & Skype: info@chipsmall.com Web: www.chipsmall.com

Address: A1208, Overseas Decoration Building, #122 Zhenhua RD., Futian, Shenzhen, China



THIS COPY IS PROVIDED ON A RESTRICTED BASIS AND IS NOT TO BE USED IN ANY WAY DETRIMENTAL TO THE INTERESTS OF PANDUIT CORP.



NOTE:
 1) PRODUCT INCLUDES PHILLIPS PANHEAD SELF-DRILL SCREWS, #6 X 5/8", (LOTY 4).

REV	DATE	BY	CHK	DESCRIPTION	ECN	R	CUST	SUP
04B	08/15/08	ARHA		ADDED "Y" PART NUMBER: CHANGED REV. STYLE, FILENAME, AND CUT-OUT DIM'S	GB3405VM	04B		
R	01/18/08	ARHA		INITIAL RELEASE	GB3405VM	R		

PANDUIT CORP. TINLEY PARK, ILLINOIS

RF3D(Y)

RAISED FLOOR GROMMET

DIMENSIONS IN BRACKETS ARE METRIC (mm)

CAD FILENAME/LAYERS: G03405AH_DC_GB3405VM/04B

UNLESS OTHERWISE SPECIFIED, DIMENSIONAL TOLERANCES ARE:
 (XX) ±0.02 (0.51) ANGLES ±5°

UNLESS OTHERWISE SPECIFIED, ALL DIMENSIONS ARE GIVEN IN INCHES, THIRD ANGLE PROJECTION.

SCALE: 1:4

DRAWING NO.: GB3405VM

DATE: 01/18/08

BY: ARHA

CHK'D: KLN

SIZE: A