



Chipsmall Limited consists of a professional team with an average of over 10 year of expertise in the distribution of electronic components. Based in Hongkong, we have already established firm and mutual-benefit business relationships with customers from,Europe,America and south Asia,supplying obsolete and hard-to-find components to meet their specific needs.

With the principle of “Quality Parts,Customers Priority,Honest Operation,and Considerate Service”,our business mainly focus on the distribution of electronic components. Line cards we deal with include Microchip,ALPS,ROHM,Xilinx,Pulse,ON,Everlight and Freescale. Main products comprise IC,Modules,Potentiometer,IC Socket,Relay,Connector.Our parts cover such applications as commercial,industrial, and automotives areas.

We are looking forward to setting up business relationship with you and hope to provide you with the best service and solution. Let us make a better world for our industry!



Contact us

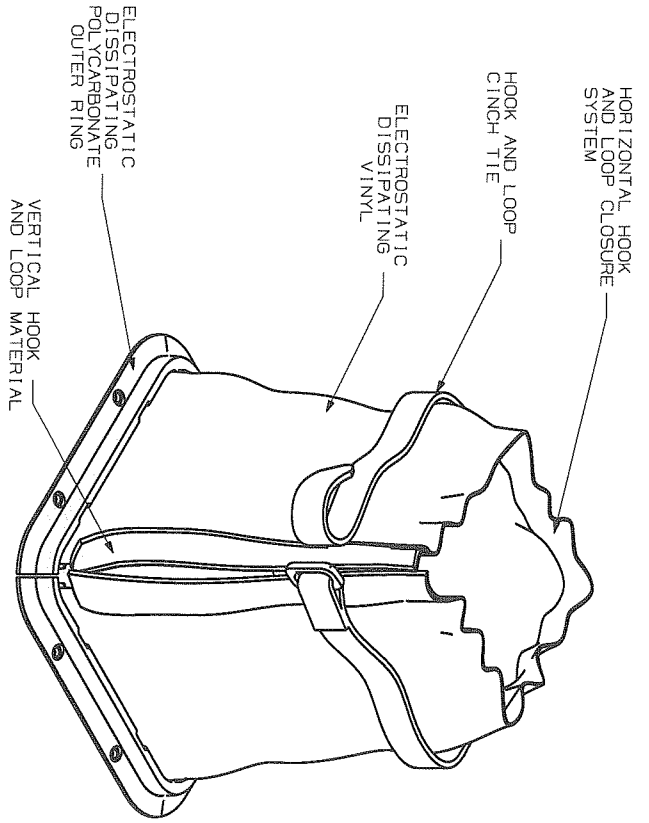
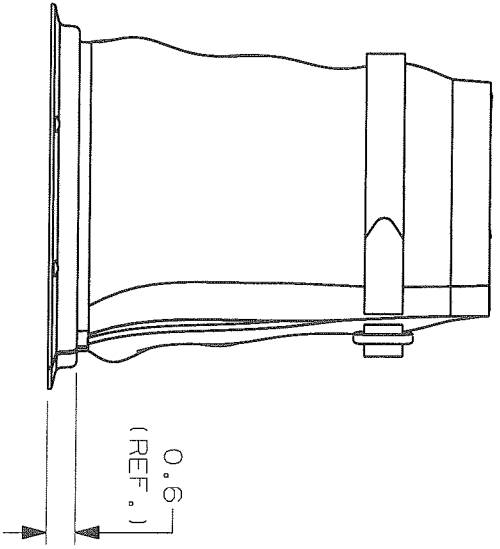
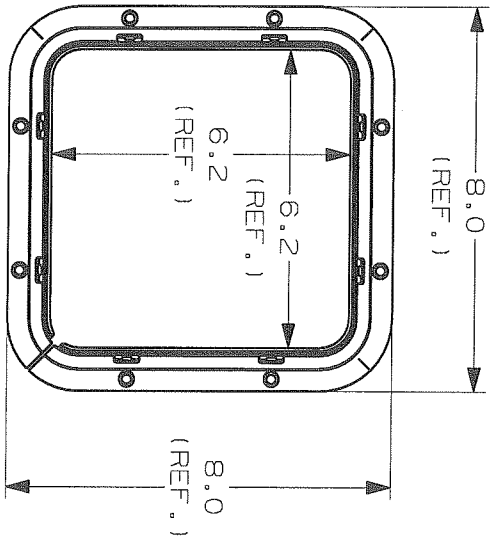
Tel: +86-755-8981 8866 Fax: +86-755-8427 6832

Email & Skype: info@chipsmall.com Web: www.chipsmall.com

Address: A1208, Overseas Decoration Building, #122 Zhenhua RD., Futian, Shenzhen, China



THIS COPY IS PROVIDED ON A RESTRICTED BASIS AND IS NOT TO BE USED IN ANY WAY DETRIMENTAL TO THE INTERESTS OF PANDUIT CORP.



NOTE:
 1) PRODUCT INCLUDES PHILLIPS PANHEAD SELF-DRILL SCREWS, #6 x 5/8", (QTY 8).

REV	DATE	BY	CHK	DESCRIPTION
00B	08/15/08	ARHA	<i>ARHA</i>	ADDED "Y" PART NUMBER: CHANGED REV. STYLE.
R	01/18/08	ARHA		INITIAL RELEASE

DIMENSIONS IN BRACKETS ARE METRIC (mm)	
CAD FILENAME/LAYERS G03405VD_DC_GB3405VD_00B	
PANDUIT CORP. TINLEY PARK, ILLINOIS	
RFGBX8SM(Y)	
RAISED FLOOR GROMMET (SURFACE MOUNT)	
UNLESS OTHERWISE SPECIFIED, DIMENSIONAL TOLERANCES ARE: (.XX) ±0.1 (2.5) (.XXX) ±0.010 (0.25) (XXX) ±0.02 (0.5) ANGLES ±5°	UNLESS OTHERWISE SPECIFIED, ALL DIMENSIONS ARE GIVEN IN INCHES, THIRD ANGLE PROJECTION.
DRAWN BY ARHA	SCALE 1:4
DATE 01/18/08 CHK'D <i>KLW</i>	DRAWING NO. GB3405VD
MAT'L: SEE TABLE	QMS A
ECN - R	SIZE
CUST	
SUP	