



Chipsmall Limited consists of a professional team with an average of over 10 year of expertise in the distribution of electronic components. Based in Hongkong, we have already established firm and mutual-benefit business relationships with customers from,Europe,America and south Asia,supplying obsolete and hard-to-find components to meet their specific needs.

With the principle of “Quality Parts,Customers Priority,Honest Operation,and Considerate Service”,our business mainly focus on the distribution of electronic components. Line cards we deal with include Microchip,ALPS,ROHM,Xilinx,Pulse,ON,Everlight and Freescale. Main products comprise IC,Modules,Potentiometer,IC Socket,Relay,Connector.Our parts cover such applications as commercial,industrial, and automotives areas.

We are looking forward to setting up business relationship with you and hope to provide you with the best service and solution. Let us make a better world for our industry!



Contact us

Tel: +86-755-8981 8866 Fax: +86-755-8427 6832

Email & Skype: info@chipsmall.com Web: www.chipsmall.com

Address: A1208, Overseas Decoration Building, #122 Zhenhua RD., Futian, Shenzhen, China



TABLE 1	
DASH NO	DESCRIPTION
-1	CAP (NO CHAIN)
-2	CAP WITH 2.5 INCH BRASS CHAIN
-3	CAP WITH 2.5 INCH NYLON CHAIN
-4	CAP WITH 3.0 INCH BRASS CHAIN
-5	CAP WITH 3.0 INCH NYLON CHAIN
-6	CAP WITH 6.0 INCH BRASS CHAIN
-7	CAP WITH 6.0 INCH NYLON CHAIN
-8	CAP WITH 4.0 INCH BRASS CHAIN
-9	CAP WITH 4.0 INCH NYLON CHAIN
-10	CAP WITH 10.0 INCH BRASS CHAIN
-11	CAP WITH 10.0 INCH NYLON CHAIN
-12	CAP WITH 2.5 INCH SST ROPE
-13	CAP WITH 3.0 INCH SST ROPE
-14	CAP WITH 6.0 INCH SST ROPE
-15	CAP WITH 4.0 INCH SST ROPE
-16	CAP WITH 7.0 INCH SST ROPE
-17	CAP WITH 4.5 INCH SST ROPE
-18	CAP WITH 12 INCH SST ROPE

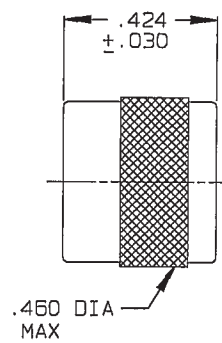
TABLE 2	
MODEL NO	TYPE
RFI55	3-LUG
RFI155	
RFI55FL	4-LUG
RFI155FL	
RFI355	THREADED
RFI3155	

TABLE 3				
DASH NO	"A" DIA	"B" DIA	"C" DIM	"D" DIM
-02	.630	.750	1.066	.450
-03	.505	.625	.941	.388
-04	.439	.562	.878	.355
-05	.380	.500	.816	.325
-06	.317	.437	.753	.295
-07	.281	.406	.722	.278
-08	.610	.750	1.066	.450
-09	.567	.687	1.003	.419
-D10	.192	.312	.628	.231
-D11	1.005	1.125	1.441	.638
-DD8	.330	.450	.766	.300

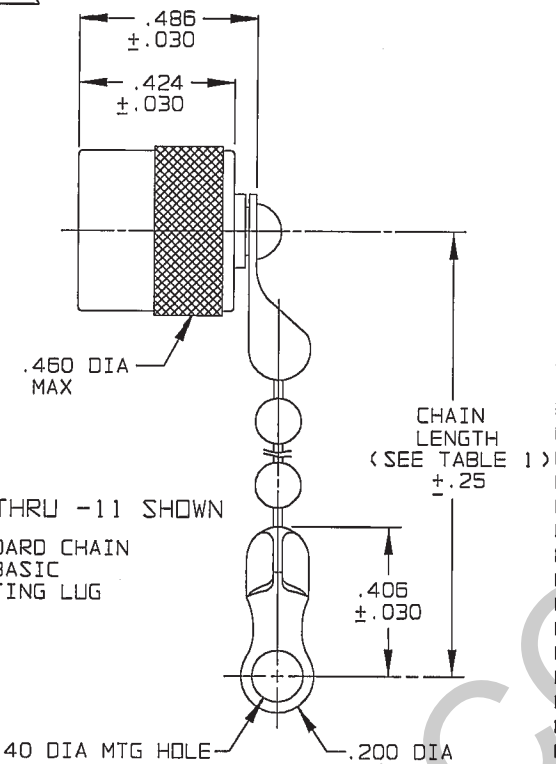
DATA CONTAINED IN THIS DOCUMENT IS PROPRIETARY TO TROMPETER ELECTRONICS INC. AND SHALL NOT BE DISCLOSED, COPIED OR USED FOR PROCUREMENT OR MANUFACTURE WITHOUT EXPRESS WRITTEN PERMISSION OF TROMPETER ELECTRONICS INC.

REVISIONS		1-0151	SH 1
REV	DESCRIPTION	DATE	APPROVED
M	REVISED PER ECO 15018	4-10-03	MM

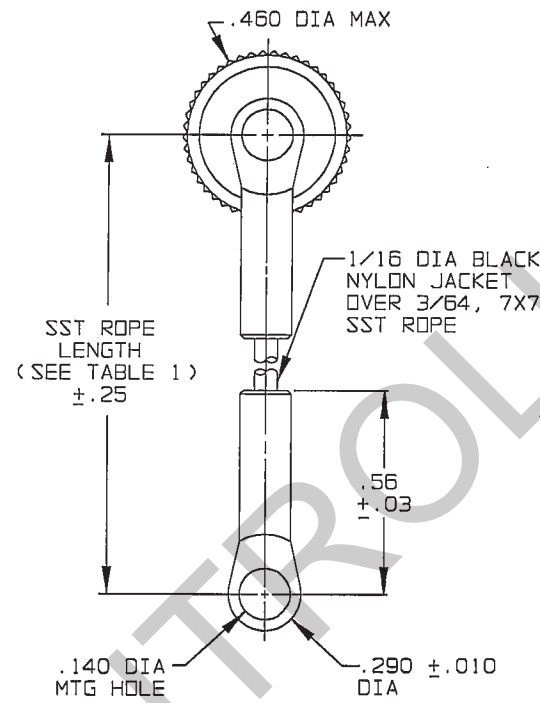
RED INDICATES ORIGINAL



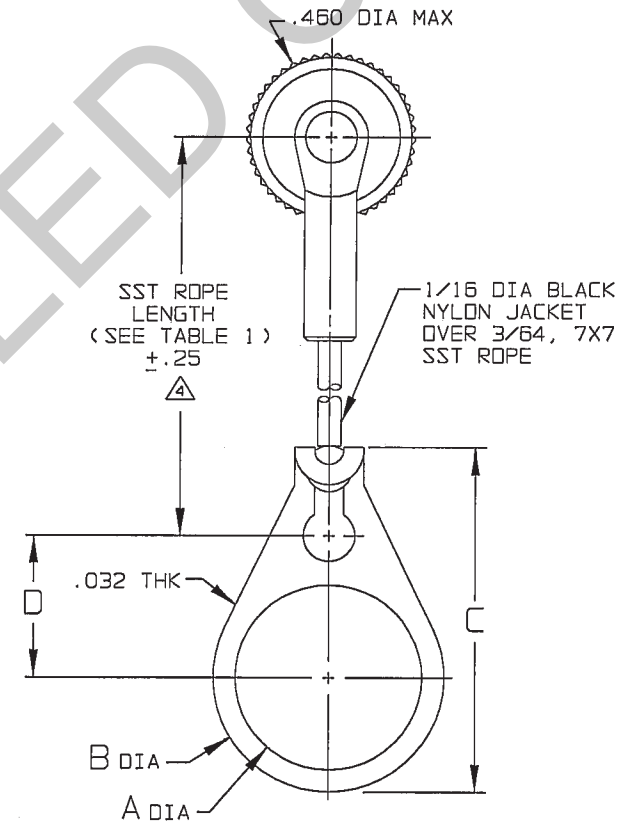
-1 SHOWN
NO STAINLESS STEEL ROPE CHAIN OR MOUNTING LUG



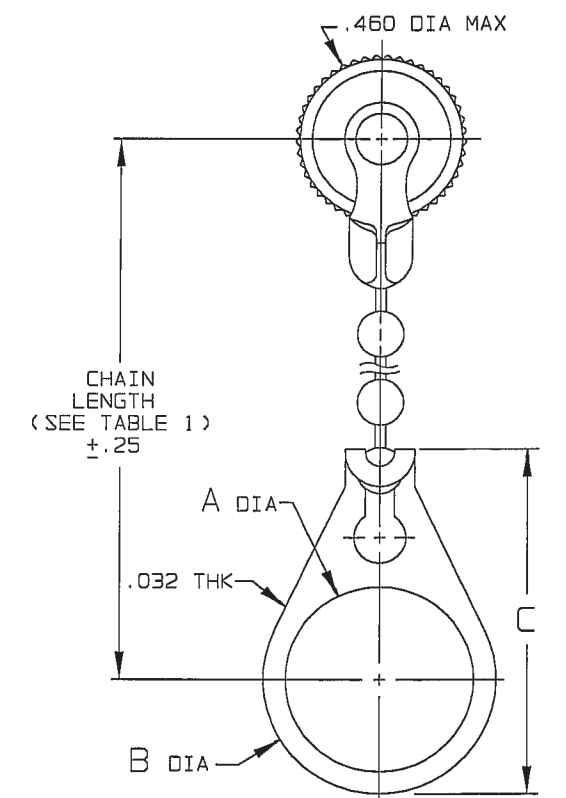
-2 THRU -11 SHOWN
STANDARD CHAIN AND BASIC MOUNTING LUG



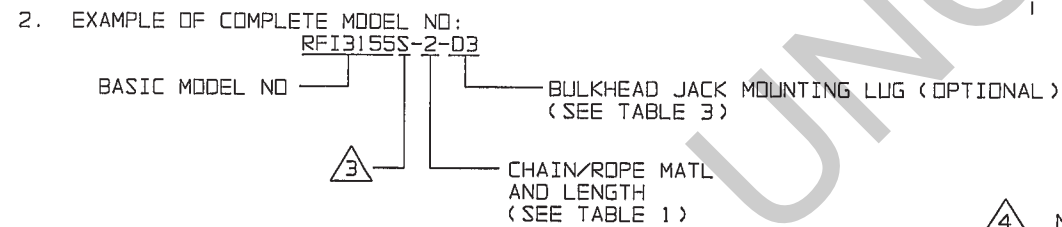
-12 THRU -18 SHOWN
STAINLESS STEEL ROPE AND BASIC MOUNTING LUG



-12-02 THRU -18-DD8 SHOWN
STAINLESS STEEL ROPE AND BULKHEAD JACK MOUNTING LUG



-2-02 THRU -11-DD8 SHOWN
STANDARD CHAIN AND BULKHEAD JACK MOUNTING LUG



- NOTE THAT CHAIN LENGTH FOR SST ROPE WITH MOUNTING LUG OPTION IS NOT MEASURED TO CENTER OF BULKHEAD MOUNTING LUG
- IF SAFETY WIRE REQUIRED ADD SUFFIX "S" TO MODEL NO. (i.e. RFI3155S)

1. MALE 3 & 4-LUG & THREADED STYLE SUBMINIATURE RFI DUST CAP WITH OR WITHOUT CHAIN OR JACKETED STAINLESS STEEL ROPE AND MOUNTING OPTION

INTERPRET DRAWING PER MIL-STD-100 DIMENSIONS ARE IN INCHES AND INCLUDE FINISH THICKNESS UNLESS OTHERWISE SPECIFIED		TOL.: UNLESS SPECIFIED .XX .XXX ±.005 .XXXX		TROMPETER RF connectivity <small>a cinch connectivity solutions brand</small>			
DATE	4-9-03	TITLE:	RFI55/RFI155/ RFI55FL/RFI155FL/ RFI355/RFI3155				
DRAWN	AAH	MATERIAL:		SIZE	CAGE CODE	DRAWING NO.	REV.
CHECKED	JD	FINISH:		B	14949	1-0151	M
QUALITY	4/10/03	DO NOT SCALE DWG	SCALE	2/1	DATE:	2-22-77	SHEET
MANAGER	4/10/03						1C
APPROVED	MM						
CAD FILE NO	1-0151M						

NEXT ASSY