



Chipsmall Limited consists of a professional team with an average of over 10 year of expertise in the distribution of electronic components. Based in Hongkong, we have already established firm and mutual-benefit business relationships with customers from,Europe,America and south Asia,supplying obsolete and hard-to-find components to meet their specific needs.

With the principle of “Quality Parts,Customers Priority,Honest Operation,and Considerate Service”,our business mainly focus on the distribution of electronic components. Line cards we deal with include Microchip,ALPS,ROHM,Xilinx,Pulse,ON,Everlight and Freescale. Main products comprise IC,Modules,Potentiometer,IC Socket,Relay,Connector.Our parts cover such applications as commercial,industrial, and automotives areas.

We are looking forward to setting up business relationship with you and hope to provide you with the best service and solution. Let us make a better world for our industry!



Contact us

Tel: +86-755-8981 8866 Fax: +86-755-8427 6832

Email & Skype: info@chipsmall.com Web: www.chipsmall.com

Address: A1208, Overseas Decoration Building, #122 Zhenhua RD., Futian, Shenzhen, China



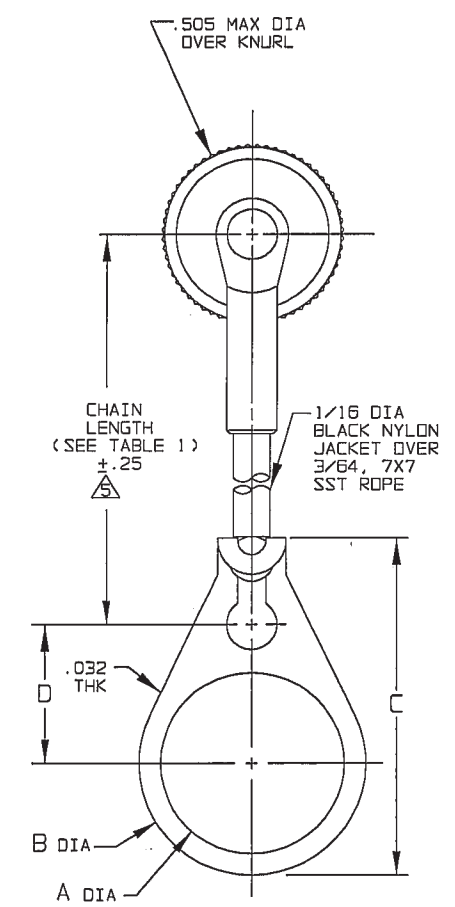
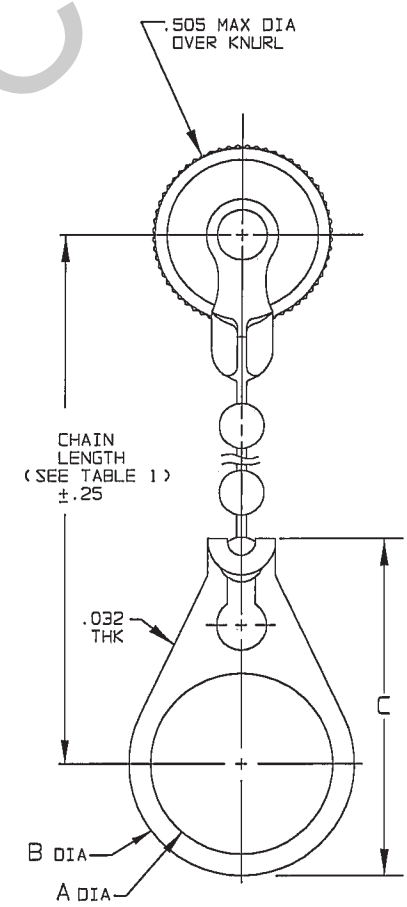
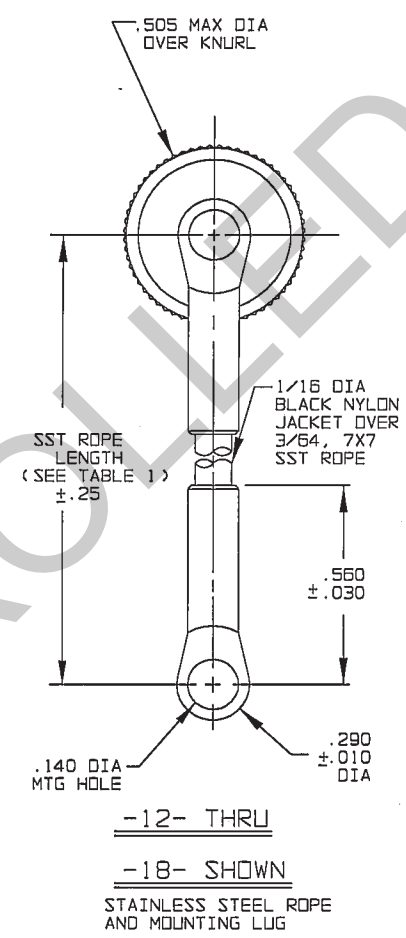
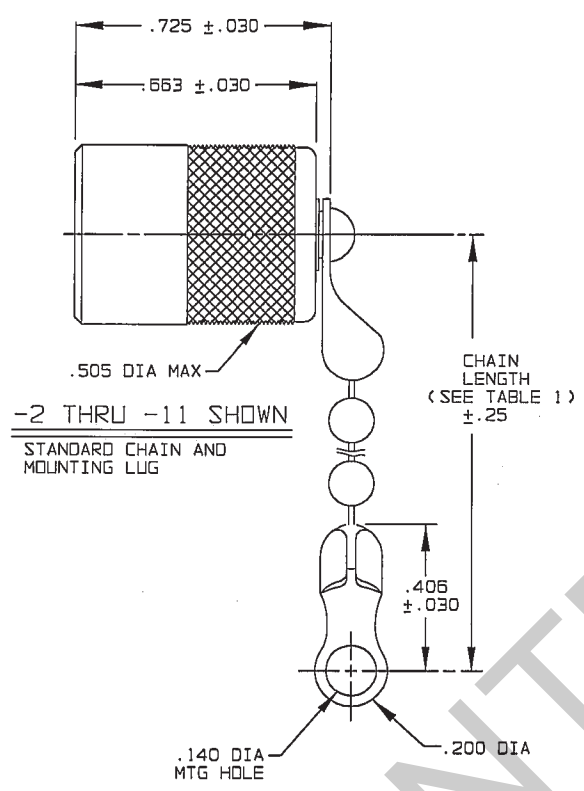
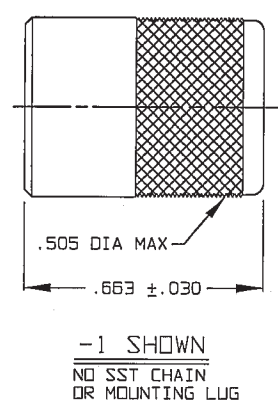
TABLE 1	
DASH NO	DESCRIPTION
-1	CAP (NO CHAIN)
-2	CAP WITH 2.50 BRASS CHAIN
-3	CAP WITH 2.50 NYLON CHAIN
-4	CAP WITH 3.00 BRASS CHAIN
-5	CAP WITH 3.00 NYLON CHAIN
-6	CAP WITH 6.00 BRASS CHAIN
-7	CAP WITH 6.00 NYLON CHAIN
-8	CAP WITH 4.00 BRASS CHAIN
-9	CAP WITH 4.00 NYLON CHAIN
-10	CAP WITH 10.00 BRASS CHAIN
-11	CAP WITH 10.00 NYLON CHAIN
-12	CAP WITH 2.50 JACKETED SST ROPE
-13	CAP WITH 3.00 JACKETED SST ROPE
-14	CAP WITH 6.00 JACKETED SST ROPE
-15	CAP WITH 4.00 JACKETED SST ROPE
-16	CAP WITH 7.00 JACKETED SST ROPE
-17	CAP WITH 4.50 JACKETED SST ROPE
-18	CAP WITH 18.0 JACKETED SST ROPE

TABLE 2				
DASH NO	"A" DIA	"B" DIA	"C" DIM	"D" DIM
-01	.755	.875	1.191	.513
-02	.630	.750	1.066	.450
-03	.505	.625	.941	.388
-04	.439	.562	.878	.356
-05	.380	.500	.816	.325
-06	.317	.437	.753	.294
-07	.281	.406	.722	.278
-08	.610	.750	1.066	.450
-09	.567	.687	1.003	.419
-010	.192	.312	.628	.231
-011	1.005	1.125	1.441	.638
-008	.330	.450	.766	.300

DATA CONTAINED IN THIS DOCUMENT IS PROPRIETARY TO TROMPETER ELECTRONICS INC. AND SHALL NOT BE DISCLOSED, COPIED OR USED FOR PROCUREMENT OR MANUFACTURE WITHOUT EXPRESS WRITTEN PERMISSION OF TROMPETER ELECTRONICS INC.

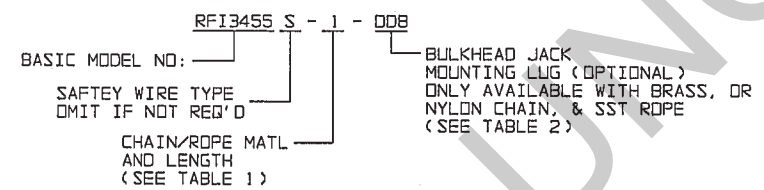
REVISIONS		1-0071	SH 1
REV	DESCRIPTION	DATE	APPROVED
E	REVISED PER ECO 15103	7/1/03	USJ

RED INDICATES ORIGINAL



NOTE THAT LENGTH FOR SST ROPE WITH MOUNTING LUG OPTION IS NOT MEASURED TO CENTER OF BULKHEAD MOUNTING LUG

4. EXAMPLE OF COMPLETE MODEL NO:



3. THREADED RFI CAP WITH & WITHOUT CHAIN, JACKETED STAINLESS STEEL ROPE OR SAFETY WIRE HOLES AND MOUNTING LUG OPTION
2. FINISH: TFS-1U (500 HRS SALT SPRAY)
1. ALL DIM ARE IN INCHES

INTERPRET DRAWING PER MIL-STD-100 DIMENSIONS ARE IN INCHES AND INCLUDE FINISH THICKNESS UNLESS OTHERWISE SPECIFIED		TOL: UNLESS SPECIFIED .XX .XXX ± .005 .XXXX ANGLES	
DRAWN: AAH	DATE: 6-27-03	MATERIAL:	TITLE: RFI3455/S
CHECKED: JSD	DATE: 6/30/03	FINISH:	SIZE: A
QUANTITY: 100	DATE: 7/1/03	SCALE: 4/1	CAGE CODE: 14949
HAND: USJ	DATE: 7/1/03	DATE: 1-28-88	DRAWING NO: 1-0071
APPROVED: USJ	DATE: 7/1/03	SCALE: 4/1	REV: E
CAD FILE NO: 1-0071E	DO NOT SCALE DWG	DATE: 1-28-88	SHEET 1C

NEXT ASSY