



Chipsmall Limited consists of a professional team with an average of over 10 year of expertise in the distribution of electronic components. Based in Hongkong, we have already established firm and mutual-benefit business relationships with customers from,Europe,America and south Asia,supplying obsolete and hard-to-find components to meet their specific needs.

With the principle of "Quality Parts,Customers Priority,Honest Operation,and Considerate Service",our business mainly focus on the distribution of electronic components. Line cards we deal with include Microchip,ALPS,ROHM,Xilinx,Pulse,ON,Everlight and Freescale. Main products comprise IC,Modules,Potentiometer,IC Socket,Relay,Connector.Our parts cover such applications as commercial,industrial, and automotives areas.

We are looking forward to setting up business relationship with you and hope to provide you with the best service and solution. Let us make a better world for our industry!



Contact us

Tel: +86-755-8981 8866 Fax: +86-755-8427 6832

Email & Skype: info@chipsmall.com Web: www.chipsmall.com

Address: A1208, Overseas Decoration Building, #122 Zhenhua RD., Futian, Shenzhen, China



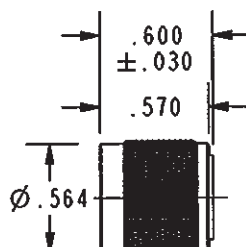
| TABLE 1 | |
|---------|------------------|
| DASH NO | DESCRIPTION |
| -1 | NO CHAIN |
| -2 | 2.5 BRASS CHAIN |
| -3 | 2.5 NYLON CHAIN |
| -4 | 3.0 BRASS CHAIN |
| -5 | 3.0 NYLON CHAIN |
| -6 | 6.0 BRASS CHAIN |
| -7 | 6.0 NYLON CHAIN |
| -8 | 4.0 BRASS CHAIN |
| -9 | 4.0 NYLON CHAIN |
| -10 | 10.0 BRASS CHAIN |
| -11 | 10.0 NYLON CHAIN |
| -12 | 2.5 SST ROPE |
| -13 | 3.0 SST ROPE |
| -14 | 6.0 SST ROPE |
| -15 | 4.0 SST ROPE |
| -16 | 7.0 SST ROPE |
| -17 | 4.5 SST ROPE |
| -18 | 12.0 SST ROPE |
| -19 | 18.0 SST ROPE |

| TABLE 2 | | | | | |
|---------|------|------|-------|-------|--|
| DASH NO | ØA | ØB | C DIM | D DIM | |
| -D2 | .630 | .750 | 1.066 | .450 | |
| -D3 | .505 | .625 | .941 | .388 | |
| -D4 | .439 | .562 | .878 | .355 | |
| -D5 | .380 | .500 | .816 | .325 | |
| -D6 | .317 | .437 | .753 | .295 | |
| -D7 | .281 | .406 | .722 | .278 | |
| -D8 | .610 | .750 | 1.066 | .450 | |
| -D9 | .567 | .687 | 1.003 | .419 | |
| -D10 | .192 | .312 | .628 | .231 | |
| -DD8 | .330 | .450 | .766 | .300 | |

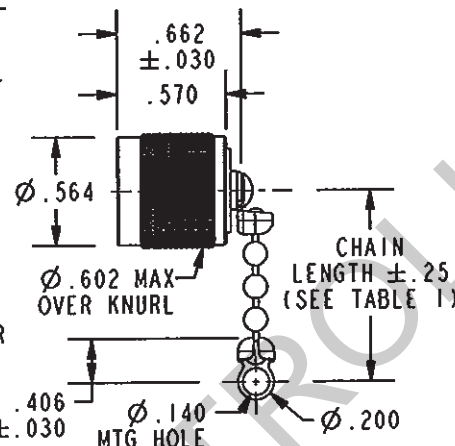
| TABLE 3 | |
|--------------|--|
| MODEL NUMBER | |
| RF145 | |
| RF1375 | |
| RFIS45 | |
| RFIS375 | |

DATA CONTAINED IN THIS DOCUMENT IS PROPRIETARY TO TROMPETER ELECTRONICS INC. AND SHALL NOT BE DISCLOSED, COPIED OR USED FOR PROCUREMENT OR MANUFACTURE WITHOUT EXPRESS WRITTEN PERMISSION.

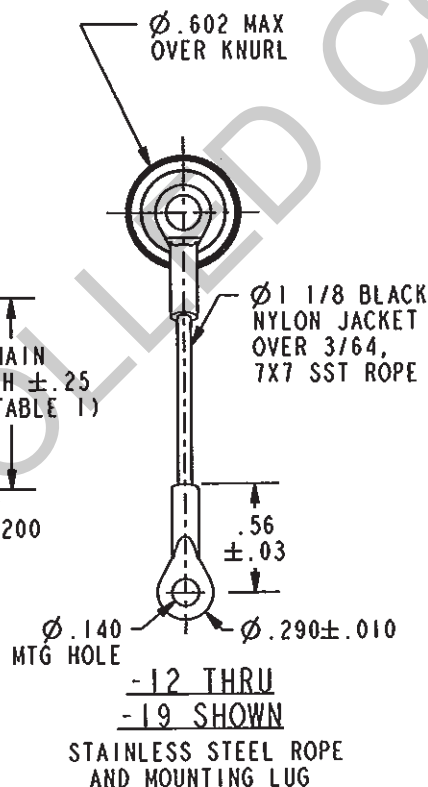
| REVISIONS | | | |
|-----------|-------------------------|----------|--------------------|
| REV | DESCRIPTIONS | DATE | APPROVED |
| J | REVISED PER ECO # 16768 | 10/14/08 | <i>[Signature]</i> |



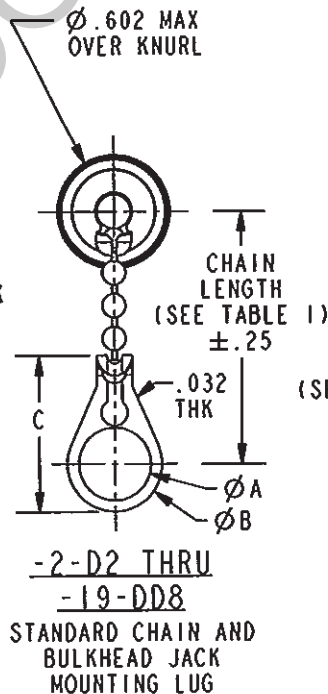
Ø.602 MAX OVER KNURL
-1 SHOWN
NO CHAIN/ROPE OR MOUNTING LUG



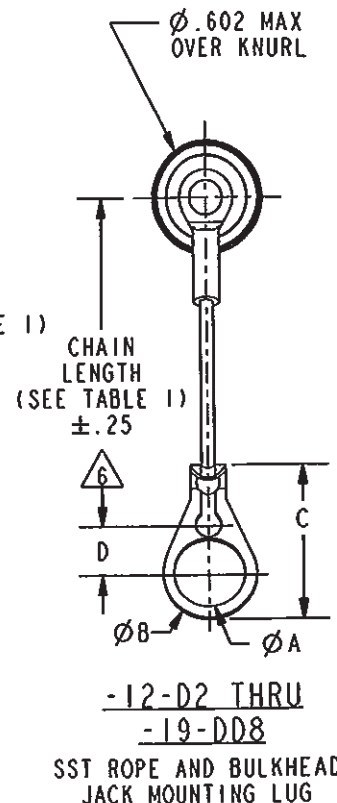
-2 THRU -11 SHOWN
STANDARD CHAIN AND MOUNTING LUG



-12 THRU -19 SHOWN
STAINLESS STEEL ROPE AND MOUNTING LUG



-2-D2 THRU -19-DD8
STANDARD CHAIN AND BULKHEAD JACK MOUNTING LUG



-12-D2 THRU -19-DD8
SST ROPE AND BULKHEAD JACK MOUNTING LUG

NOTE THAT CHAIN LENGTH FOR SST ROPE WITH MOUNTING OPTION IS NOT MEASURED TO CENTER OF BULKHEAD MOUNTING LUG

EXAMPLE OF COMPLETE MODEL NUMBER:

3 4 RF175 -2 -D2
BASIC MODEL NO (SEE TABLE 3)
DASH NO FOR CHAIN/ROPE MATL AND LENGTH (SEE TABLE 1)

BULKHEAD JACK MOUNTING LUG (OPTIONAL) ONLY AVAILABLE WITH BRASS, NYLON CHAIN OR SST ROPE (SEE TABLE 2)

RED INDICATES ORIGINAL

IF SAFETY WIRE TYPE IS REQUIRED, ADD SUFFIX "S" TO MODEL NUMBER. (E.G. RFIS)

MODEL NUMBER. RF1375-N WHEN USED FOR TE1 370 (TRT) SERIES CONNECTORS

FINISH: TFS-1A (NICKEL)

TNC RF1/DUST CAP WITH OR WITHOUT CHAIN OR JACKETED STAINLESS STEEL ROPE AND MOUNTING LUG OPTION

NOTES: UNLESS OTHERWISE SPECIFIED.

| | |
|--|--|
| INTERPRET DRAWING PER MIL-STD-100. DIMENSIONS ARE IN INCHES AND INCLUDE FINISH UNLESS OTHERWISE SPECIFIED. | TOL: UNLESS SPECIFIED. .XX ± .02 .XXX ± .010 ANGLE ± 1° |
| APP'D J. CARPENTER 09-24-08 | MATERIAL: |
| CHK M.J. 10-13-08 | FINISH: |
| APPROVED [Signature] 10-13-08 | |
| DATE FILE NO. 105-0600 | DO NOT SCALE DWG |

| | | | |
|------------------------------------|-----------------|----------------------|--------|
| | | | |
| TITLE: RF145/RF1375/RFIS45/RFIS375 | | | |
| SIZE A | CAGE CODE 14949 | DRAWING NO. 105-0600 | REV. J |
| SCALE 2/1 | DATE 11-11-74 | SHEET 1C | |