



Chipsmall Limited consists of a professional team with an average of over 10 year of expertise in the distribution of electronic components. Based in Hongkong, we have already established firm and mutual-benefit business relationships with customers from,Europe,America and south Asia,supplying obsolete and hard-to-find components to meet their specific needs.

With the principle of "Quality Parts,Customers Priority,Honest Operation,and Considerate Service",our business mainly focus on the distribution of electronic components. Line cards we deal with include Microchip,ALPS,ROHM,Xilinx,Pulse,ON,Everlight and Freescale. Main products comprise IC,Modules,Potentiometer,IC Socket,Relay,Connector.Our parts cover such applications as commercial,industrial, and automotives areas.

We are looking forward to setting up business relationship with you and hope to provide you with the best service and solution. Let us make a better world for our industry!



## Contact us

Tel: +86-755-8981 8866 Fax: +86-755-8427 6832

Email & Skype: info@chipsmall.com Web: www.chipsmall.com

Address: A1208, Overseas Decoration Building, #122 Zhenhua RD., Futian, Shenzhen, China

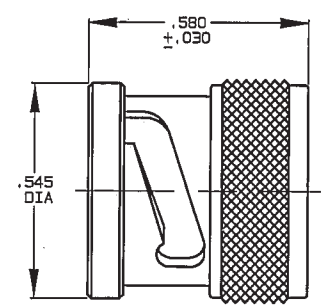


DATA CONTAINED IN THIS DOCUMENT IS PROPRIETARY TO TROMPETER ELECTRONICS INC. AND SHALL NOT BE DISCLOSED, COPIED OR USED FOR PROCUREMENT OR MANUFACTURE WITHOUT EXPRESS WRITTEN PERMISSION OF TROMPETER ELECTRONICS INC.

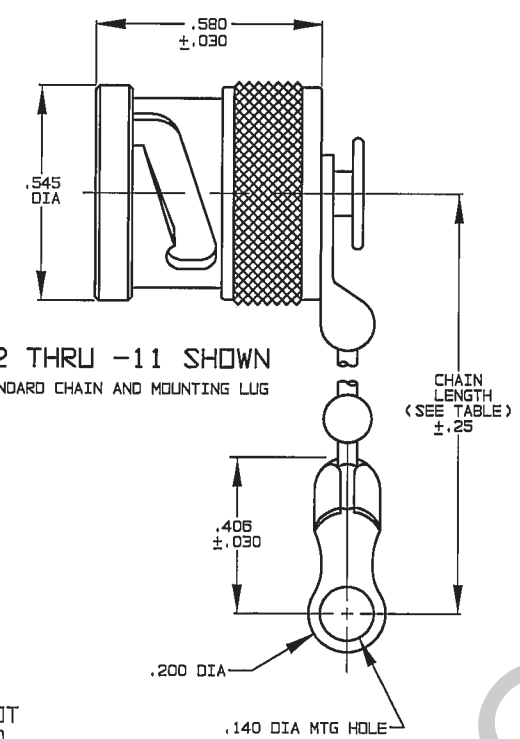
REVISIONS		305-0029	SH 1C
REV	DESCRIPTION	DATE	APPROVED
L	REVISED PER ECO #13616	11/6/00	[Signature]

DASH NO	DESCRIPTION
-1	TERM (NO CHAIN)
-2	TERM WITH 2.5 BRASS CHAIN
-3	TERM WITH 2.5 NYLON CHAIN
-4	TERM WITH 3.0 BRASS CHAIN
-5	TERM WITH 3.0 NYLON CHAIN
-6	TERM WITH 6.0 BRASS CHAIN
-7	TERM WITH 6.0 NYLON CHAIN
-8	TERM WITH 4.0 BRASS CHAIN
-9	TERM WITH 4.0 NYLON CHAIN
-10	TERM WITH 10.0 BRASS CHAIN
-11	TERM WITH 10.0 NYLON CHAIN
-12	TERM WITH 2.5 SST ROPE
-13	TERM WITH 3.0 SST ROPE
-14	TERM WITH 6.0 SST ROPE
-15	TERM WITH 4.0 SST ROPE
-16	TERM WITH 7.5 SST ROPE
-17	TERM WITH 4.5 SST ROPE

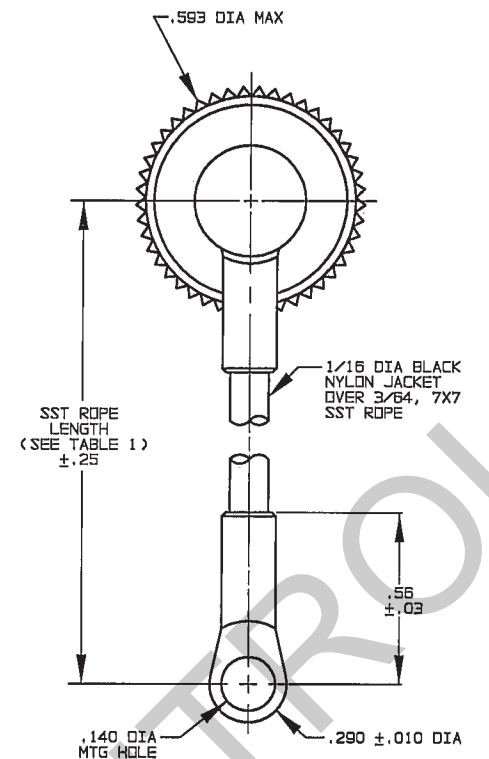
DASH NO	"A" DIA	"B" DIA	"C" DIM	"D" DIM
-D2	.630	.750	1.066	.450
-D3	.505	.625	.941	.388
-D4	.439	.562	.878	.355
-D5	.380	.500	.816	.325
-D6	.317	.437	.753	.295
-D7	.281	.406	.722	.278
-D8	.610	.750	1.066	.450
-D9	.567	.687	1.003	.419
-D10	.192	.312	.628	.231
-D11	1.005	1.125	1.441	.638
-DD8	.330	.450	.766	.300



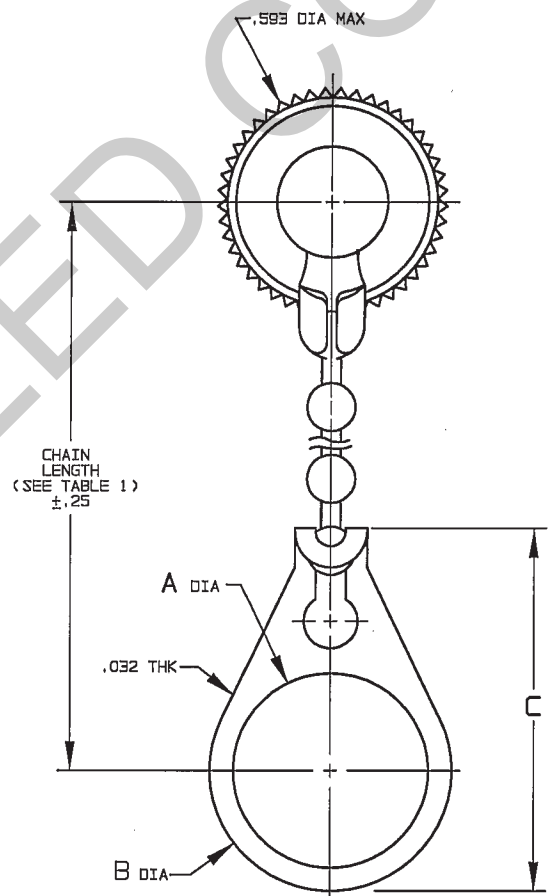
-1 SHOWN  
NO CHAIN/ROPE OR MOUNTING LUG



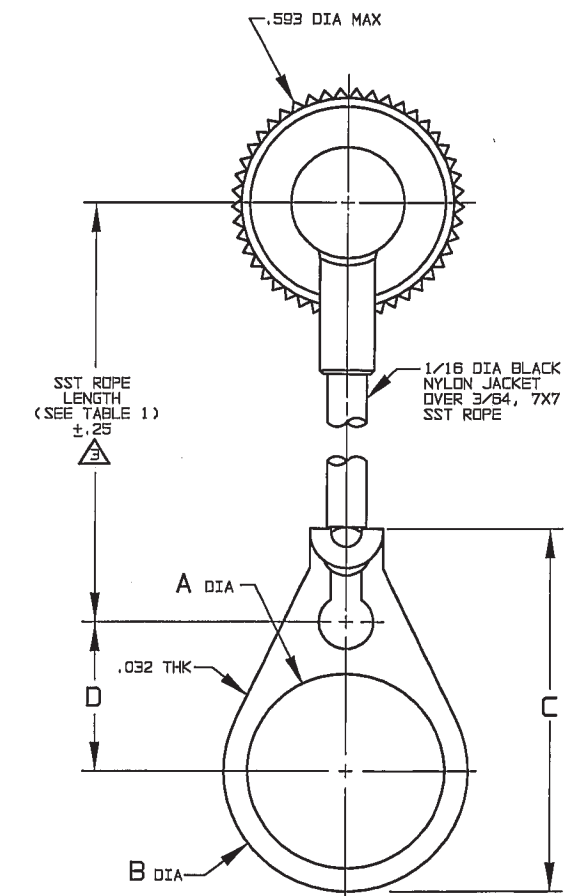
-2 THRU -11 SHOWN  
STANDARD CHAIN AND MOUNTING LUG  
CHAIN LENGTH (SEE TABLE 1) ±.25



-12 THRU -17  
STAINLESS STEEL ROPE AND MOUNTING LUG



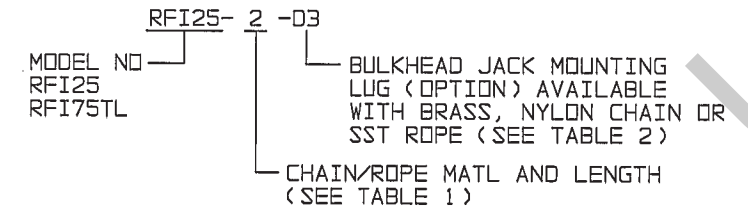
-2-D2 THRU  
-11-DD8 SHOWN  
STANDARD CHAIN AND BULKHEAD BULKHEAD JACK MOUNTING LUG



-12-D2 THRU  
-17-DD8 SHOWN  
STAINLESS STEEL ROPE AND BULKHEAD JACK MOUNTING LUG

NOTE THAT LENGTH FOR SST ROPE WITH MOUNTING LUG OPTION IS NOT MEASURED TO CENTER OF BULKHEAD MOUNTING LUG

EXAMPLE OF COMPLETE MODEL NO:



1. MALE BNC/2-LUG TRB CAP WITH CHAIN/ROPE AND MOUNTING LUG OPTIONS

INTERPRET DRAWING PER MIL-STD-100 DIMENSIONS ARE IN INCHES AND INCLUDE FINISH THICKNESS UNLESS OTHERWISE SPECIFIED		TOL: UNLESS SPECIFIED .XX .XXX ±.005 .XXXX ANGLES		<p>a cinch connectivity solutions brand</p>	
DRAWN DKC DATE 11-1-00		MATERIAL:			
CHECKED [Signature] DATE 11/2/00		FINISH: TFS-1A (NICKEL)		TITLE: RFI25/RFI75TL	
APPROVED [Signature] DATE 11-3-00		CAD FILE NO. 305-00291L		DO NOT SCALE DWG	
NEXT ASSY		SIZE B	CAGE CODE 14949	DRAWING NO. 305-0029	REV. L
		SCALE 2/1	DATE: 9-11-69	SHEET 1C	