



Chipsmall Limited consists of a professional team with an average of over 10 year of expertise in the distribution of electronic components. Based in Hongkong, we have already established firm and mutual-benefit business relationships with customers from,Europe,America and south Asia,supplying obsolete and hard-to-find components to meet their specific needs.

With the principle of “Quality Parts,Customers Priority,Honest Operation,and Considerate Service”,our business mainly focus on the distribution of electronic components. Line cards we deal with include Microchip,ALPS,ROHM,Xilinx,Pulse,ON,Everlight and Freescale. Main products comprise IC,Modules,Potentiometer,IC Socket,Relay,Connector.Our parts cover such applications as commercial,industrial, and automotives areas.

We are looking forward to setting up business relationship with you and hope to provide you with the best service and solution. Let us make a better world for our industry!



Contact us

Tel: +86-755-8981 8866 Fax: +86-755-8427 6832

Email & Skype: info@chipsmall.com Web: www.chipsmall.com

Address: A1208, Overseas Decoration Building, #122 Zhenhua RD., Futian, Shenzhen, China



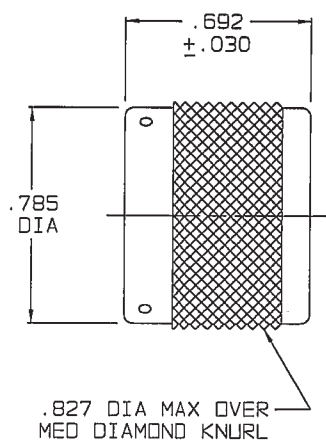
| TABLE 1 | |
|---------|----------------------------|
| DASH NO | DESCRIPTION |
| -1 | CAP (NO CHAIN) |
| -2 | CAP WITH 2.50 BRASS CHAIN |
| -3 | CAP WITH 2.50 NYLON CHAIN |
| -4 | CAP WITH 3.00 BRASS CHAIN |
| -5 | CAP WITH 3.00 NYLON CHAIN |
| -6 | CAP WITH 6.00 BRASS CHAIN |
| -7 | CAP WITH 6.00 NYLON CHAIN |
| -8 | CAP WITH 4.00 BRASS CHAIN |
| -9 | CAP WITH 4.00 NYLON CHAIN |
| -10 | CAP WITH 10.00 BRASS CHAIN |
| -11 | CAP WITH 10.00 NYLON CHAIN |
| -12 | CAP WITH 2.50 SST ROPE |
| -13 | CAP WITH 3.00 SST ROPE |
| -14 | CAP WITH 6.00 SST ROPE |
| -15 | CAP WITH 4.00 SST ROPE |
| -16 | CAP WITH 7.00 SST ROPE |
| -17 | CAP WITH 4.50 SST ROPE |
| -18 | CAP WITH 18.0 SST ROPE |

| TABLE 2 | | | | |
|---------|---------|---------|---------|---------|
| DASH NO | "A" DIA | "B" DIA | "C" DIM | "D" DIM |
| -D1 | .755 | .875 | 1.191 | .513 |
| -D2 | .630 | .750 | 1.066 | .450 |
| -D3 | .505 | .625 | .941 | .388 |
| -D4 | .439 | .562 | .878 | .355 |
| -D5 | .380 | .500 | .816 | .325 |
| -D6 | .317 | .437 | .753 | .295 |
| -D7 | .281 | .406 | .722 | .278 |
| -D8 | .610 | .750 | 1.066 | .450 |
| -D9 | .567 | .697 | 1.003 | .419 |
| -D10 | .192 | .312 | .628 | .231 |
| -D11 | 1.005 | 1.125 | 1.441 | .638 |
| -DD8 | .330 | .450 | .766 | .300 |

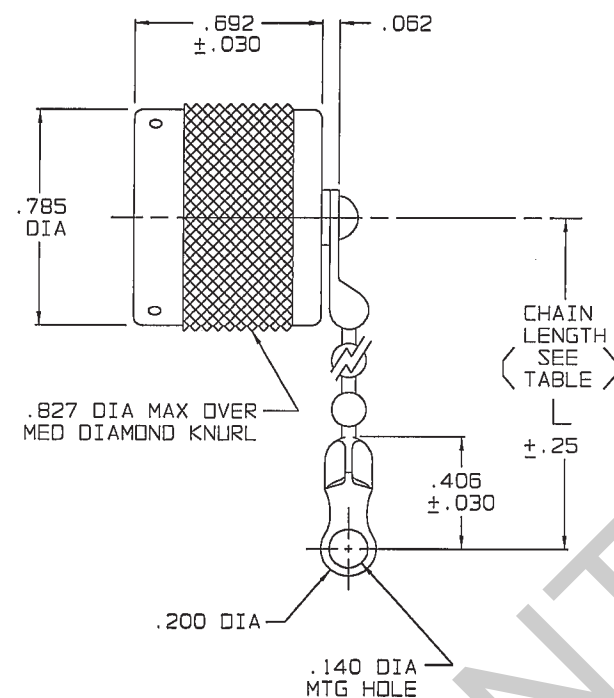
DATA CONTAINED IN THIS DOCUMENT IS PROPRIETARY TO TROMPETER ELECTRONICS INC. AND SHALL NOT BE DISCLOSED, COPIED OR USED FOR PRODUCTION OR MANUFACTURE WITHOUT EXPRESS WRITTEN PERMISSION OF TROMPETER ELECTRONICS INC.

| REVISIONS | | 1-0456 | SH 1 |
|-----------|-----------------------|--------|----------|
| REV | DESCRIPTION | DATE | APPROVED |
| F | REVISED PER ECO 15102 | 7/1/03 | WJ |

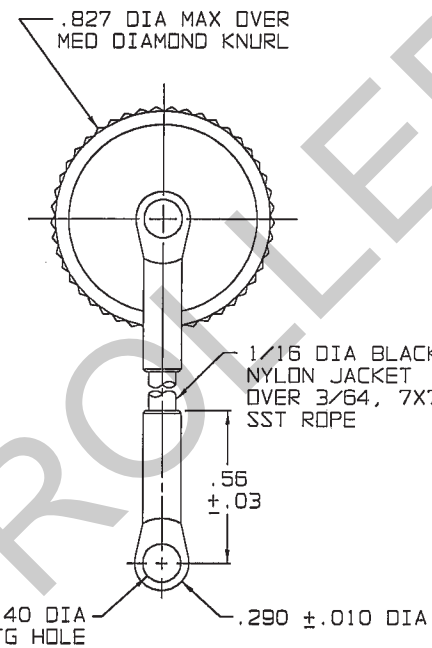
RED INDICATES ORIGINAL



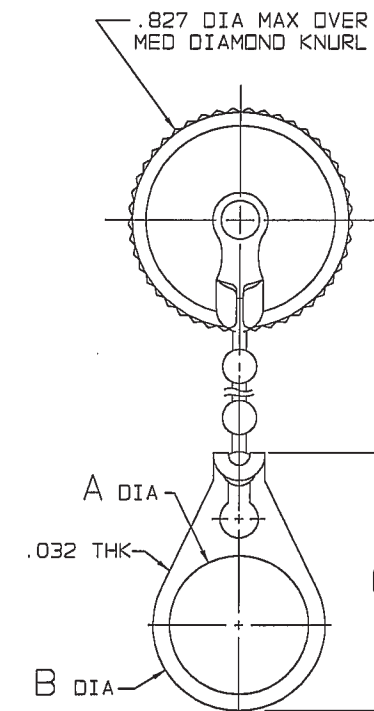
-1 SHOWN
NO CHAIN/ROPE OR MOUNTING LUG



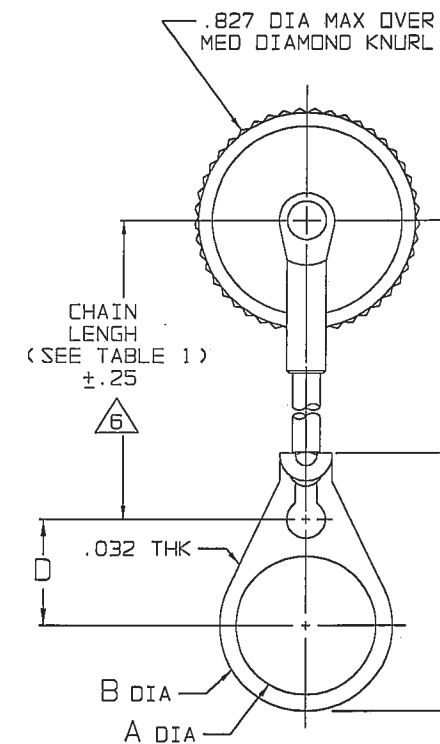
-2 THRU -11 SHOWN
STANDARD CHAIN & MOUNTING LUG



-12 THRU
-18 SHOWN
STAINLESS STEEL ROPE AND MOUNTING LUG



-2-D1 THRU -11-DD8
SHOWN
STANDARD CHAIN AND BULKHEAD JACK MOUNTING LUG



-12-D1 THRU
-18-DD8 SHOWN
SST ROPE AND BULKHEAD JACK MOUNTING LUG

5. EXAMPLE OF COMPLETE MODEL NO:
RFI95-2-D3
BASIC PART NO. BULKHEAD JACK MOUNTING LUG (OPTIONAL) (SEE TABLE 2)
DASH NO FOR CHAIN/ROPE MATL AND LENGTH (SEE TABLE 1)

- 4. IF SAFETY WIRE TYPE IS REQUIRED; ADD SUFFIX "S" TO MODEL NO RFI95S
- 3. STD SIZE PATCHING OUST CAP WITH OR WITHOUT MOUNTING CHAIN OR SST ROPE OPTIONS
- 2. FINISH: TFS-1A (NICKEL)
- 1. ALL DIMENSIONS ARE IN INCHES

NOTE THAT CHAIN LENGTH FOR SST ROPE WITH MOUNTING OPTION IS NOT MEASURED TO CENTER OF BULKHEAD MOUNTING LUG

| | | | |
|--|--------------|---|---|
| INTERPRET DRAWING PER MIL-STD-100 DIMENSIONS ARE IN INCHES AND INCLUDE FINISH THICKNESS UNLESS OTHERWISE SPECIFIED | | TOL: UNLESS SPECIFIED .XX .XXX .XXXX ANGLES | |
| DRAWN AAH | DATE 6-27-03 | MATERIAL: | TITLE: RFI95/RFIS95 |
| ENGINEER | DATE 6/30/03 | FINISH: | SIZE CAGE CODE DRAWING NO. REV. B 14949 1-0456 F |
| QUALITY | DATE 7/1/03 | DO NOT SCALE DWG | SCALE NONE DATE: 12-20-79 SHEET 1C |
| MANAGER | DATE 7/1/03 | | |
| APPROVED | DATE 7/1/03 | | |
| CAD FILE NO. 1-0456F | | | |