



Chipsmall Limited consists of a professional team with an average of over 10 year of expertise in the distribution of electronic components. Based in Hongkong, we have already established firm and mutual-benefit business relationships with customers from,Europe,America and south Asia,supplying obsolete and hard-to-find components to meet their specific needs.

With the principle of “Quality Parts,Customers Priority,Honest Operation,and Considerate Service”,our business mainly focus on the distribution of electronic components. Line cards we deal with include Microchip,ALPS,ROHM,Xilinx,Pulse,ON,Everlight and Freescale. Main products comprise IC,Modules,Potentiometer,IC Socket,Relay,Connector.Our parts cover such applications as commercial,industrial, and automotives areas.

We are looking forward to setting up business relationship with you and hope to provide you with the best service and solution. Let us make a better world for our industry!



Contact us

Tel: +86-755-8981 8866 Fax: +86-755-8427 6832

Email & Skype: info@chipsmall.com Web: www.chipsmall.com

Address: A1208, Overseas Decoration Building, #122 Zhenhua RD., Futian, Shenzhen, China



RED INDICATES ORIGINAL

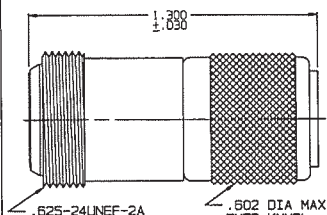
DATA CONTAINED IN THIS DOCUMENT IS PROPRIETARY TO TROMPETER ELECTRONICS INC. AND SHALL NOT BE DISCLOSED, COPIED OR USED FOR REPRODUCTION OR MANUFACTURE WITHOUT EXPRESS WRITTEN PERMISSION.

REV		ED	DESCRIPTION	DWN	APPROVED	DATE
0	12837		DELETED: -15 BRASS CHAIN ADDED: -15, -18 AND -17 SST ROPE SEE ECD	R L	[Signature]	12/1/99

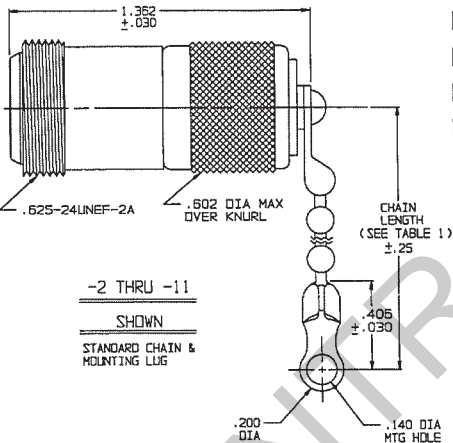
DASH NO	DESCRIPTION
-1	CAP (NO CHAIN)
-2	CAP WITH 2.50 BRASS CHAIN
-3	CAP WITH 2.50 NYLON CHAIN
-4	CAP WITH 3.00 BRASS CHAIN
-5	CAP WITH 3.00 NYLON CHAIN
-6	CAP WITH 6.00 BRASS CHAIN
-7	CAP WITH 6.00 NYLON CHAIN
-8	CAP WITH 4.00 BRASS CHAIN
-9	CAP WITH 4.00 NYLON CHAIN
-10	CAP WITH 10.00 BRASS CHAIN
-11	CAP WITH 10.00 NYLON CHAIN
-12	CAP WITH 2.50 SST ROPE
-13	CAP WITH 3.00 SST ROPE
-14	CAP WITH 8.00 SST ROPE
-15	CAP WITH 4.00 SST ROPE
-18	CAP WITH 7.00 SST ROPE
-17	CAP WITH 4.50 SST ROPE

DASH NO	"A" DIA	"B" DIA	"C" DIM	"D" DIM
-01	.755	.875	1.191	.513
-02	.630	.750	1.086	.450
-03	.505	.625	.941	.388
-04	.439	.552	.878	.355
-05	.380	.500	.816	.325
-06	.317	.437	.753	.285
-07	.281	.406	.722	.278
-08	.210	.350	1.059	.450
-09	.587	.687	1.003	.419
-008	.330	.450	.789	.300

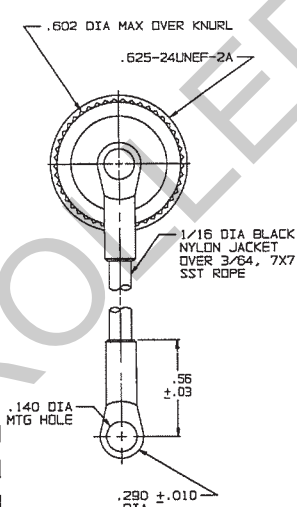
INCH	MM	INCH	MM	INCH	MM	INCH	MM
.005	0.13	.330	8.38	.587	14.40	.941	23.90
.010	0.25	.395	9.92	.602	15.29	1.003	25.48
.030	0.76	.380	9.65	.610	15.49	1.086	27.09
.032	0.81	.388	9.88	.625	15.88	1.191	30.25
.140	3.58	.406	10.31	.630	16.00	1.300	33.02
.200	5.08	.419	10.64	.687	17.45	1.362	34.59
.25	6.35	.437	11.10	.722	18.34	2.5	63.50
.278	7.06	.439	11.15	.750	19.05	3.0	76.20
.281	7.14	.450	11.43	.753	19.13	4.0	101.60
.280	7.37	.500	12.70	.755	19.18	4.50	114.30
.285	7.46	.505	12.83	.768	19.46	6.0	152.40
.300	7.62	.513	13.03	.816	20.73	7.00	177.80
.317	8.05	.56	14.22	.875	22.23	10.0	254.00
.325	8.26	.562	14.27	.878	22.30		



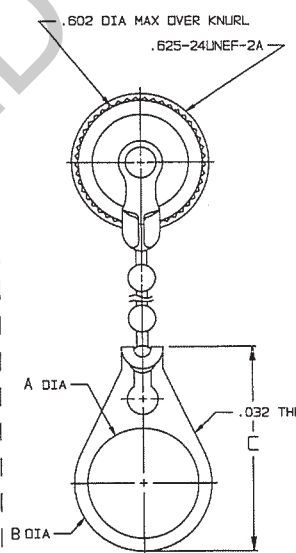
-1 SHOWN
NO CHAIN/ROPE OR MOUNTING LUG



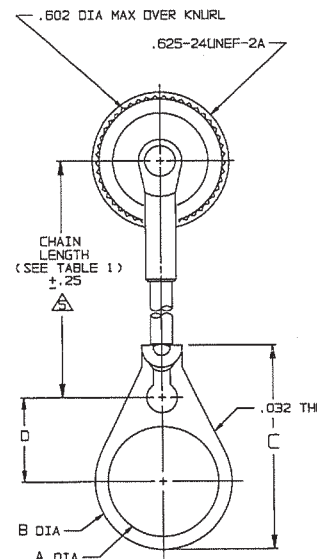
-2 THRU -11
SHOWN
STANDARD CHAIN & MOUNTING LUG



-12 THRU
-17 SHOWN
STAINLESS STEEL ROPE AND MOUNTING LUG



-2-01 THRU -11-008
SHOWN
STANDARD CHAIN AND BULKHEAD JACK MOUNTING LUG



-12-01 THRU
-17-008 SHOWN
SST ROPE AND BULKHEAD JACK MOUNTING LUG

NOTE THAT CHAIN LENGTH FOR SST ROPE WITH MOUNTING OPTION IS NOT MEASURED TO CENTER OF BULKHEAD MOUNTING LUG

4. EXAMPLE OF COMPLETE MODEL NO:
RFI97 - 2 - 01
- BASIC MODEL NO - RFI97
CHAIN/ROPE MATL & LENGTH - 2 (SEE TABLE 1)
BULKHEAD JACK MOUNTING LUG (OPTIONAL) - 01 (SEE TABLE 2)

- "N" SERIES RFI/DUST CAP WITH CHAIN OR JACKETED STAINLESS STEEL ROPE
- FINISH: TFS-1A (NICKEL)
- ALL DIMENSIONS ARE IN INCHES

QTY	DESCRIPTION	PART NUMBER	ITEM
TIL UNLESS SPECIFIED XXX ±.005 XXX ANGLE	TROMPETER RF connectivity	RFI97	
DWN	R L	12/1/99	
CHK	R L	1/23/99	
ENSR			
NEXT ASSY	APPR	1-29-99	
		SCALE 4/1	
		DATE 6-12-79	
		SHEET 1C	