



Chipsmall Limited consists of a professional team with an average of over 10 year of expertise in the distribution of electronic components. Based in Hongkong, we have already established firm and mutual-benefit business relationships with customers from,Europe,America and south Asia,supplying obsolete and hard-to-find components to meet their specific needs.

With the principle of “Quality Parts,Customers Priority,Honest Operation,and Considerate Service”,our business mainly focus on the distribution of electronic components. Line cards we deal with include Microchip,ALPS,ROHM,Xilinx,Pulse,ON,Everlight and Freescale. Main products comprise IC,Modules,Potentiometer,IC Socket,Relay,Connector.Our parts cover such applications as commercial,industrial, and automotives areas.

We are looking forward to setting up business relationship with you and hope to provide you with the best service and solution. Let us make a better world for our industry!



## Contact us

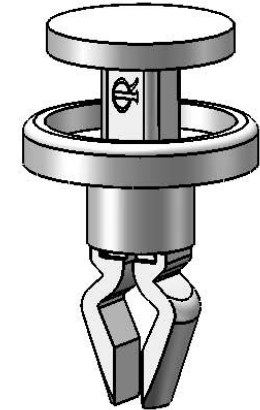
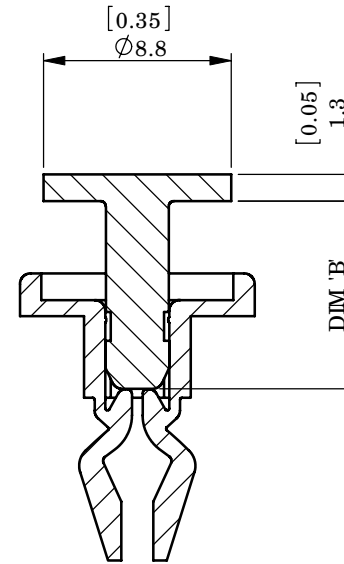
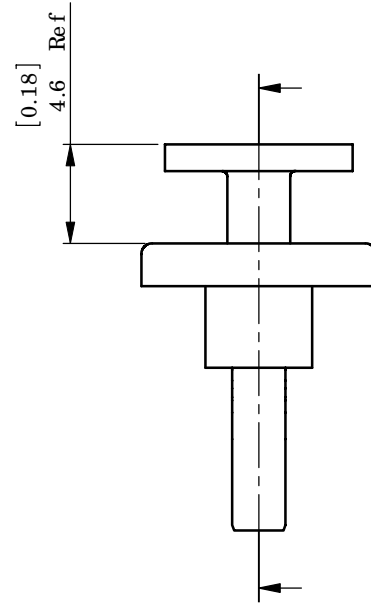
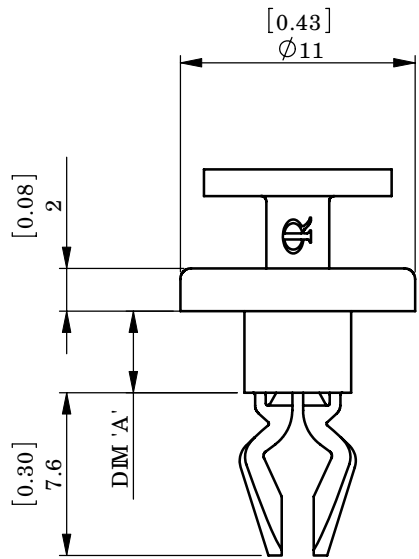
Tel: +86-755-8981 8866 Fax: +86-755-8427 6832

Email & Skype: info@chipsmall.com Web: www.chipsmall.com

Address: A1208, Overseas Decoration Building, #122 Zhenhua RD., Futian, Shenzhen, China



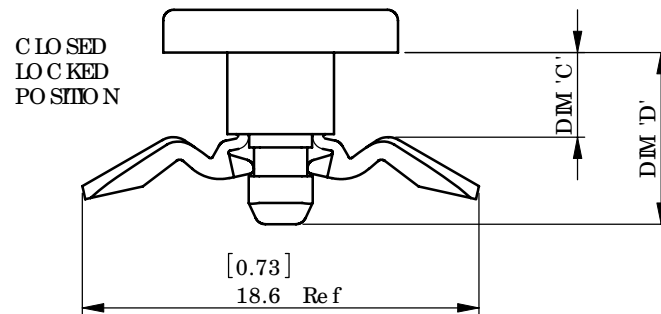
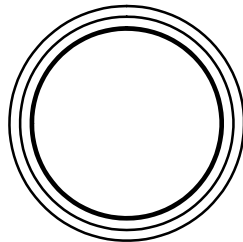
REV.	MODIFICATION.	DATE	DRN
01	Sales Release	26/05/09	TC



AS SUPPLIED - PRE-ASSEMBLED

**NOTES!**

- ALTERNATE UNITS FOR REFERENCE ONLY
- ALSO AVAILABLE IN BLACK - ADD 'BK' TO END PART No WHEN ORDERING



CLOSED  
LOCKED  
POSITION

INFORMATION CONTAINED IN THIS DOCUMENT IS CONFIDENTIAL TO RICHCO INTERNATIONAL Co., Ltd. AND MAY NOT BE DISCLOSED OR REPRODUCED IN WHOLE OR PART WITHOUT THEIR WRITTEN CONSENT

<b>RIC HCO, INC.</b> WWW.RICHCO-INC.COM	ALL DIMENSIONS IN mm GENERAL TOLERANCES ±0.25 UNLESS OTHERWISE STATED 1 DECIMAL PLACE ± 2 DECIMAL PLACES ± ANGULAR ±1°	THIRD ANGLE

Part No	'A' DIM	'B' DIM	'C' DIM Ref	'D' DIM	Total Holding Thickness	Mounting Hole Dia
RFL-1	3.0 [0.12]	8.1 [0.32]	2.7 [0.11]	7.4 [0.29]	2.85 - 3.85 [0.11 - 0.15]	5.5 +/- 0.1 [0.22 +/- 0.004]
RFL-2	3.7 [0.15]	8.8 [0.35]	3.3 [0.13]	8.1 [0.32]	3.55 - 4.55 [0.14 - 0.18]	5.5 +/- 0.1 [0.22 +/- 0.004]

MATERIAL: NYLON 6/6 UL94 V-2 (RMS-01)				COLOUR: NATURAL	
DESCRIPTION: LOCKING RIVET				PARTNo: See Table	
DRG No: 09-048		NPR No: FR08-0073 (2005-404)		SHEET SIZE A4	
DRN TC	DATE 08/01/09	CHKD TC	DATE 26/05/09	SCALE NTS	SHEETNo. 1 OF 1