



Chipsmall Limited consists of a professional team with an average of over 10 year of expertise in the distribution of electronic components. Based in Hongkong, we have already established firm and mutual-benefit business relationships with customers from,Europe,America and south Asia,supplying obsolete and hard-to-find components to meet their specific needs.

With the principle of “Quality Parts,Customers Priority,Honest Operation,and Considerate Service”,our business mainly focus on the distribution of electronic components. Line cards we deal with include Microchip,ALPS,ROHM,Xilinx,Pulse,ON,Everlight and Freescale. Main products comprise IC,Modules,Potentiometer,IC Socket,Relay,Connector.Our parts cover such applications as commercial,industrial, and automotives areas.

We are looking forward to setting up business relationship with you and hope to provide you with the best service and solution. Let us make a better world for our industry!



## Contact us

Tel: +86-755-8981 8866 Fax: +86-755-8427 6832

Email & Skype: info@chipsmall.com Web: www.chipsmall.com

Address: A1208, Overseas Decoration Building, #122 Zhenhua RD., Futian, Shenzhen, China





**CRYSTEK**  
**MICROWAVE**  
 A DIVISION OF CRYSTEK CORPORATION

**RF**  
**P**OCKET  
**R**EFERENCE  
**O**SCILLATOR

*New*  
**RFPRO Series**



Actual Size

Crystek's new **RFPRO** Series, **RF** Pocket **R**eference **O**scillator is an industry first! A complete SineWave SAW(surface acoustic wave) oscillator has been integrated in a rugged SMA housing. Simply connect +3.3Vdc to the female SMA side, and it will output a clean -135dBc/Hz phase noise signal at 10Khz offset. In effect, each **RFPRO** is a fixed frequency portable signal generator with an operating temperature of -20°C to 70°C. Available off the shelf in 500Mhz and 1Ghz frequency output. Perfect for Lab use.



**CRYSTEK**  
 CORPORATION

12730 COMMONWEALTH DRIVE • FORT MYERS, FL 33913  
 PHONE: 239-561-3311 • 800-237-3061  
 FAX: 239-561-1025 • WWW.CRYSTEK.COM

Rev.: A  
 Date: 06-29-09



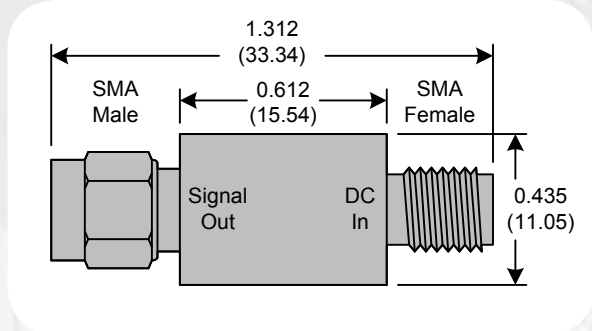
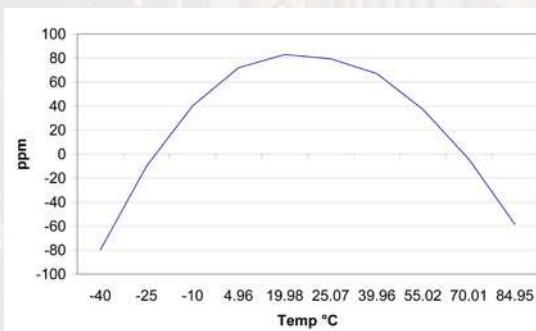
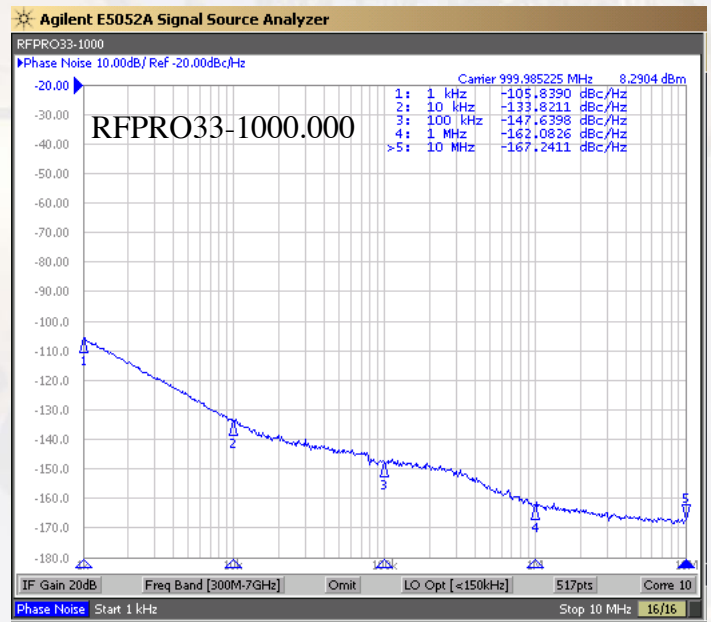
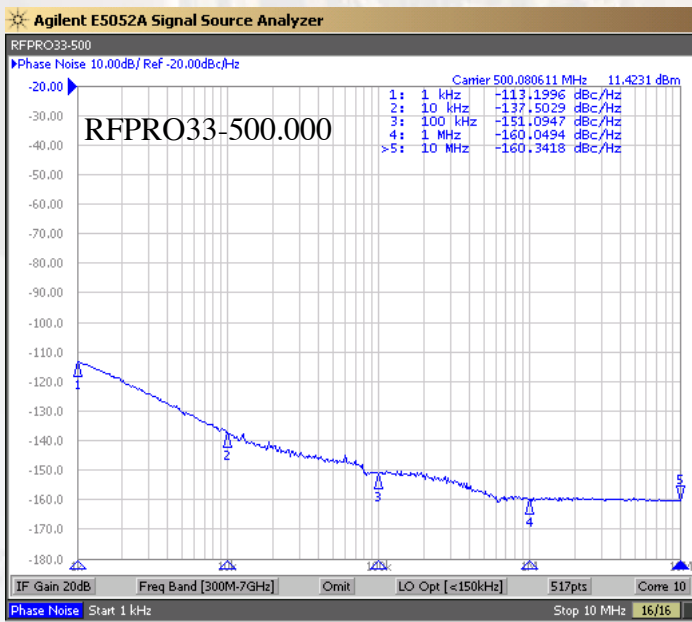
**CRYSTEK**  
MICROWAVE  
A DIVISION OF CRYSTEK CORPORATION

# RF POCKET REFERENCE OSCILLATOR

**Temperature Range:** -20°C to +70°C  
**Storage:** -45°C to 90°C  
**Input Voltage:** +3.3V ± 0.15V  
**Freq. vs Temp.(Typ.)** +100ppm / -150ppm  
**Input Current:** 20mA Typ., 25mA Max

**Output:** SineWave  
**Output Power:** +7dBm Min. into 50 Ohm Load  
**Start-up Time:** 2ms Typ., 10ms Max  
**2nd Harmonics:** -14dBc Typ., -10dBc Max  
**Sub-harmonics:** none  
**Phase Jitter:** 12KHz~80MHz  
 <1ps RMS (1-sigma) Max

Visit our Website for additional Information  
[WWW.CRYSTEK.COM](http://WWW.CRYSTEK.COM)



**CRYSTEK**  
CORPORATION

12730 COMMONWEALTH DRIVE • FORT MYERS, FL 33913  
 PHONE: 239-561-3311 • 800-237-3061  
 FAX: 239-561-1025 • [WWW.CRYSTEK.COM](http://WWW.CRYSTEK.COM)

Rev: A  
 Date: 06-29-09