



Chipsmall Limited consists of a professional team with an average of over 10 year of expertise in the distribution of electronic components. Based in Hongkong, we have already established firm and mutual-benefit business relationships with customers from,Europe,America and south Asia,supplying obsolete and hard-to-find components to meet their specific needs.

With the principle of "Quality Parts,Customers Priority,Honest Operation,and Considerate Service",our business mainly focus on the distribution of electronic components. Line cards we deal with include Microchip,ALPS,ROHM,Xilinx,Pulse,ON,Everlight and Freescale. Main products comprise IC,Modules,Potentiometer,IC Socket,Relay,Connector.Our parts cover such applications as commercial,industrial, and automotives areas.

We are looking forward to setting up business relationship with you and hope to provide you with the best service and solution. Let us make a better world for our industry!



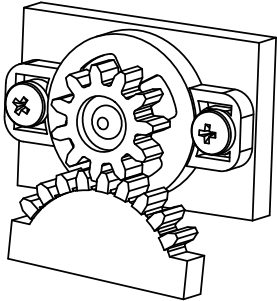
## Contact us

Tel: +86-755-8981 8866 Fax: +86-755-8427 6832

Email & Skype: info@chipsmall.com Web: www.chipsmall.com

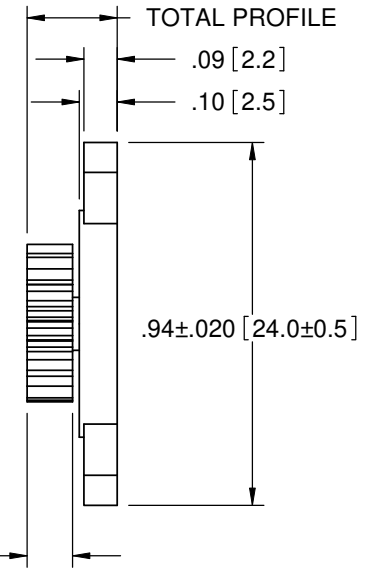
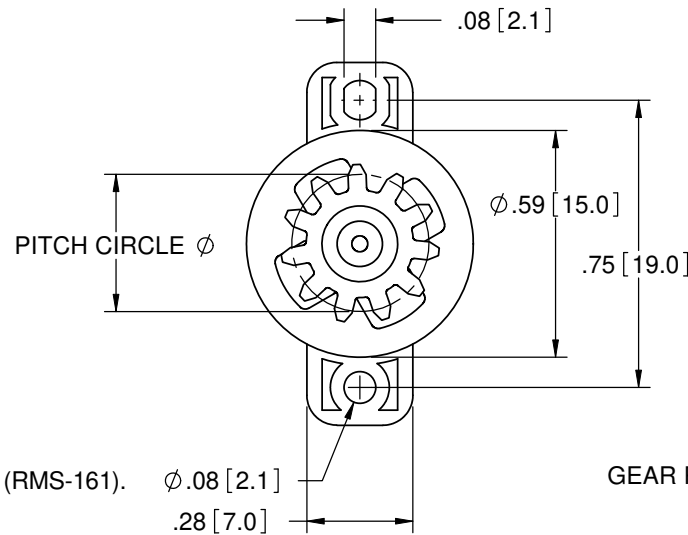
Address: A1208, Overseas Decoration Building, #122 Zhenhua RD., Futian, Shenzhen, China





GEAR SPECIFICATION			
GEAR (*)	1	2	3
TYPE	STANDARD SPUR	STANDARD SPUR	STANDARD SPUR
TOOTH PROFILE	INVOLUTE GEAR	INVOLUTE GEAR	INVOLUTE GEAR
PRESSURE ANGLE	20°	20°	20°
NUMBER OF TEETH	14	10	11
PITCH CIRCLE DIA.	Ø.28 [Ø7]	Ø.39 [Ø10]	Ø.35 [Ø8.8]
GEAR PROFILE	.15 [3.7]	.12 [3.0]	.14 [3.6]
TOTAL PROFILE	.26 [6.6] REF.	.23 [5.9] REF.	.26 [6.5] REF.

PART NO.	TORQUE (gf.cm) @ 20 RPM & 23°C
RFRT-G2-200G*	20±7
RFRT-G2-300G*	30±8
RFRT-G2-450G*	45±10
RFRT-G2-600G*	60±12
RFRT-G2-101G*	100±20



NOTES:

- HOUSING MATERIAL: 94HB POLYCARBONATE (PC) (RMS-161).
- SHAFT AND GEAR MATERIAL: ACETAL (RMS-160).
- COLOR: BLACK.
- COMPONENTS (INSIDE HOUSING):
  - SILICONE OIL (RMS-209)
  - O-RING: SILICONE RUBBER (RMS-210)

I	SEE CO 200131 FOR CHANGES	SK	02/20/08
H	SEE ECN #1289 FOR CHANGES	SK	02/15/07
G	SEE ECN #1266 FOR CHANGES	SK	12/14/06
F	SEE ECN #1177 FOR CHANGES	SK	05/24/06
E	SEE ECN #967 FOR CHANGES	SK	03/18/05
D	SEE ECN #809 FOR CHANGES	SM	06/22/04
C	UPDATED DRAWING, PITCH CIR. DIA. 7 WAS DIA. 14	RG	02/28/02
B	CORRECTED PART #TABLE	RG	01/29/02
A	RELEASED FOR PRODUCTION	RG	01/08/02
REV.	DESCRIPTION	ENGR.	DATE

TITLE: TWO WAY ROTARY DAMPER

CREATED USING SOLIDWORKS	FILE #: RFRT-G2-XXXGX	DWN: DJZ	APP: -
TOLERANCES UNLESS NOTED .XX=±.010 .XXX=±.005 FRAC.=±1/64 ANG.=±1°	SHEET: 1 OF 1	SHEET SIZE: A	DT: 12/06/01
	RE: RICHCO, INC.	RICHCO, INC. ENG@RICHCO-INC.COM (773) 539-4060	

DWG IN IN [MM]	FINAL	PRINT TYPE
	PART #	CA
	SEE TABLE	