



Chipsmall Limited consists of a professional team with an average of over 10 year of expertise in the distribution of electronic components. Based in Hongkong, we have already established firm and mutual-benefit business relationships with customers from,Europe,America and south Asia,supplying obsolete and hard-to-find components to meet their specific needs.

With the principle of “Quality Parts,Customers Priority,Honest Operation,and Considerate Service”,our business mainly focus on the distribution of electronic components. Line cards we deal with include Microchip,ALPS,ROHM,Xilinx,Pulse,ON,Everlight and Freescale. Main products comprise IC,Modules,Potentiometer,IC Socket,Relay,Connector.Our parts cover such applications as commercial,industrial, and automotives areas.

We are looking forward to setting up business relationship with you and hope to provide you with the best service and solution. Let us make a better world for our industry!



Contact us

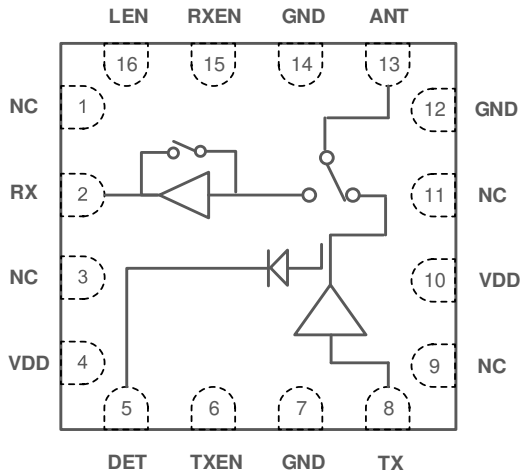
Tel: +86-755-8981 8866 Fax: +86-755-8427 6832

Email & Skype: info@chipsmall.com Web: www.chipsmall.com

Address: A1208, Overseas Decoration Building, #122 Zhenhua RD., Futian, Shenzhen, China



CMOS 5GHz WLAN 802.11ac RFeIC WITH PA, LNA AND SPDT



Description

RFX8051B is a highly integrated, single-chip, single-die RFeIC (RF Front-end Integrated Circuit) which incorporates key RF functionality needed for IEEE 802.11a/n/ac WLAN system operating in the 5.15-5.85GHz range. The RFX8051B architecture integrates a high-efficiency high-linearity power amplifier (PA), a low noise amplifier (LNA) with bypass, the associated matching network, LO rejection, and harmonic filters all in a CMOS single-chip device.

RFX8051B has simple and low-voltage CMOS control logic, and requires minimal external components. A directional coupler based power detect circuit is also integrated for accurate monitoring of output power from the PA.

RFX8051B is assembled in an ultra-compact low-profile 3.0x3.0x0.55 mm 16-lead QFN package, and is the ideal RF front-end solution for implementing 5GHz WLAN in smartphones and other platforms.

Applications

- ▶ 802.11n/ac Wi-Fi Devices
- ▶ Tablets / MIDs
- ▶ Wi-Fi Media Gateways
- ▶ Consumer Electronics
- ▶ Notebook / Netbook / Ultrabook
- ▶ Access Points / Routers
- ▶ Set Top Boxes / Wireless IPTVs
- ▶ Other 5GHz ISM Platforms

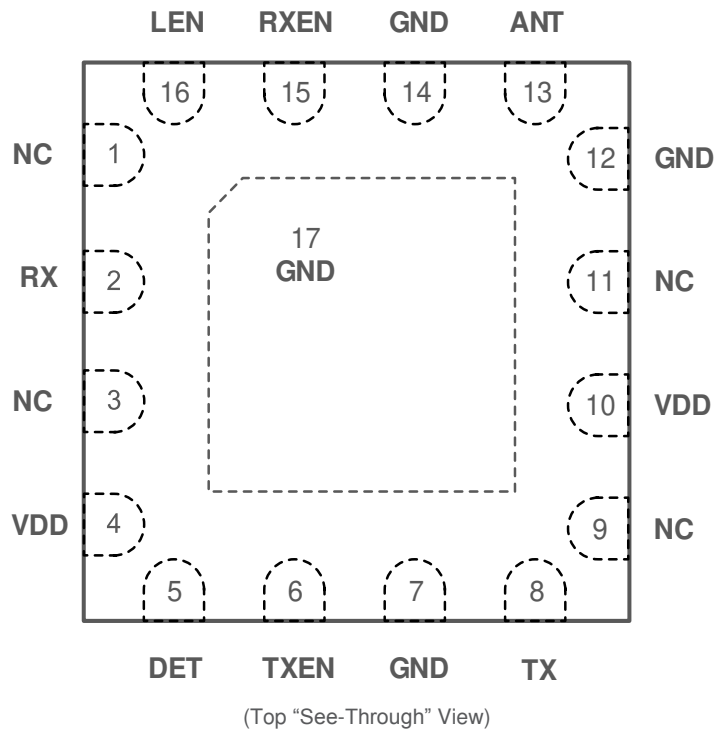
FEATURES

- ▶ 5GHz WLAN Single Chip, Single-Die RF Front-End IC
- ▶ High Transmit Signal Linearity Meeting 802.11ac Standard
- ▶ Separate TX, RX Transceiver Ports, Single Antenna Port
- ▶ 5GHz Power Amplifier with Low-Pass Harmonic Filter
- ▶ Low Noise Amplifier with Bypass Mode
- ▶ Transmit/Receive Switch Circuitry
- ▶ Integrated Power Detector for Transmit Power Monitor and Control
- ▶ Low Voltage CMOS Control Logic
- ▶ Low DC Power Consumption
- ▶ Excellent ESD Protection on All Pins
- ▶ RF Ports are free of DC Voltage
- ▶ All VDD Bias Pins have Internal RF Decoupling
- ▶ Low Noise Figure for the Receive Chain
- ▶ High Power Capability for Received Signals in Bypass Mode
- ▶ Full On-chip Matching Circuitry
- ▶ Minimal External Components Required
- ▶ 50-Ohm Input / Output Matching
- ▶ Market Proven CMOS Technology
- ▶ 3mm x 3mm x 0.55mm Small Outline 16L QFN Package with Exposed Ground Pad
- ▶ RoHS and REACH Compliant

PIN ASSIGNMENTS:

Pin Number	Pin Name	Description
1, 3, 9, 11	NC	Internally Not Connected – Can be connected to GND on PCB
2	RX	Output RF Port from LNA or Bypass – DC Shorted to GND
4, 10	VDD	DC Supply Voltage
5	DET	Output Analog Voltage Proportional to the TX Antenna Power
6	TXEN	CMOS Logic Input to Control TX Enable
7, 12, 14, 17	GND	Ground – Must Be Connected to GND on the PCB
8	TX	Input RF Port for TX Signals from the Transceiver – DC Shorted to GND
13	ANT	Antenna Port RF Signal from the PA or RF Signal Applied to the LNA – DC Shorted to GND
15	RXEN	CMOS Logic Input to Control RX Enable
16	LEN	CMOS Logic Input to Control LNA Enable or Bypass Mode

PIN-OUT DIAGRAM:



ABSOLUTE MAXIMUM RATINGS:

Parameters	Units	Min	Max	Conditions
DC VDD Voltage Supply	V	0	3.9	All VDD Pins
DC Control Pin Voltage	V	0	3.6	All Control Pins
DC VDD Current Consumption	mA		400	Through VDD Pins when TX is "ON"
TX RF Input Power	dBm		+7	
ANT RF Input Power	dBm		+20	Bypass Mode
ANT RF Input Power	dBm		+5	RX Mode
Junction Temperature	°C		150	
Storage Ambient Temperature	°C	-40	+150	Appropriate care required according to JEDEC Standards
Operating Ambient Temperature	°C	-40	+85	
Moisture Sensitivity				MSL1

Note: Sustained operation at or above the Absolute Maximum Ratings for any one or combinations of the above parameters may result in permanent damage to the device and is not recommended.

All Maximum RF Input Power Ratings assume 50-Ohm terminal impedance.

NOMINAL OPERATING CONDITIONS:

Parameters	Units	Min	Typ	Max	Conditions
DC VDD Voltage Supply (Note 1)	V	3.0	3.3	3.6	All VDD Pins
Control Voltage "High" (Note 2)	V	1.2		3.3	
Control Voltage "Low"	V	0		0.3	
DC Control Pin Current Consumption	µA		1		
DC Shutdown Current	µA		3		
PA Turn On/Off Time	µsec		0.4		
LNA Turn On/Off Time	µsec		0.4		
Shut-Down and "ON" State Switching Time	µsec		0.4		
RF Port Impedance	ohms		50		TX, RX, ANT – VDD Applied
θ _{ja} (Note3)	°C/W		46		
θ _{jc}	°C/W		19		

Note 1: For normal operation of the RFX8051B, VDD must be continuously applied to all VDD supply pins.

Note 2: If control voltage can exceed 1.8V, a 10KΩ series resistor is recommended for the application circuit on each control line.

Note 3: For operation above +85 °C, use the θ_{ja} as guidance for system design to assure the junction temperature will not exceed the maximum of +150 °C.

TRANSMIT PATH CHARACTERISTICS (VDD=3.3V; T=+25°C)

Parameters	Units	Min	Typ	Max	Conditions
Operating Frequency Band	GHz	5.15		5.85	
Linear Output Power for 802.11ac	dBm	+16	+16.5		EVM<1.8% MCS9 80MHz
Linear Output Power for 802.11n	dBm	+17	+17.5		EVM<3% MCS7 40MHz
Linear Output Power for 802.11a	dBm	+17.5	+18		EVM<3%, 64QAM 20MHz
Mask Compliance for 802.11n	dBm	+19.5	+20.5		EVM<3% MCS0 40MHz
Small-Signal Power Gain (Pin = -20dBm)	dB	26	27		Between TX and ANT pins
Power Gain Flatness	dB	-1		+1	Between TX and ANT pins 5.18GHz – 5.85GHz
Output P_{1dB}	dBm		+24		Between TX and ANT pins
TX Quiescent Current	mA		150		No RF Signal Applied
TX Linear Current	mA		210		$P_{OUT} = +17dBm$, 20 MHz
Power Detector Voltage Output	mV	200		1500	$P_{OUT} = +5$ to +20dBm, 10k Ω Load
Second Harmonic	dBc			-40	$P_{OUT}=+20dBm$, CW
Third Harmonic	dBc			-35	$P_{OUT}=+20dBm$, CW
Input Return Loss	dB		-8		At TX Port
Output Return Loss	dB		-8		At ANT Port
Load VSWR for Stability (CW, Fixed Pin for $P_{out}=+20dBm$ with 50 Ω load)	N/A	4:1	6:1		All non-harmonically related spurs less than -43dBm/MHz
Load VSWR for Ruggedness (CW, Fixed Pin for $P_{out}=+20dBm$ with 50 Ohm Load)	N/A	8:1	10:1		No Damage

RECEIVE PATH CHARACTERISTICS (VDD=3.3V; T=+25°C)

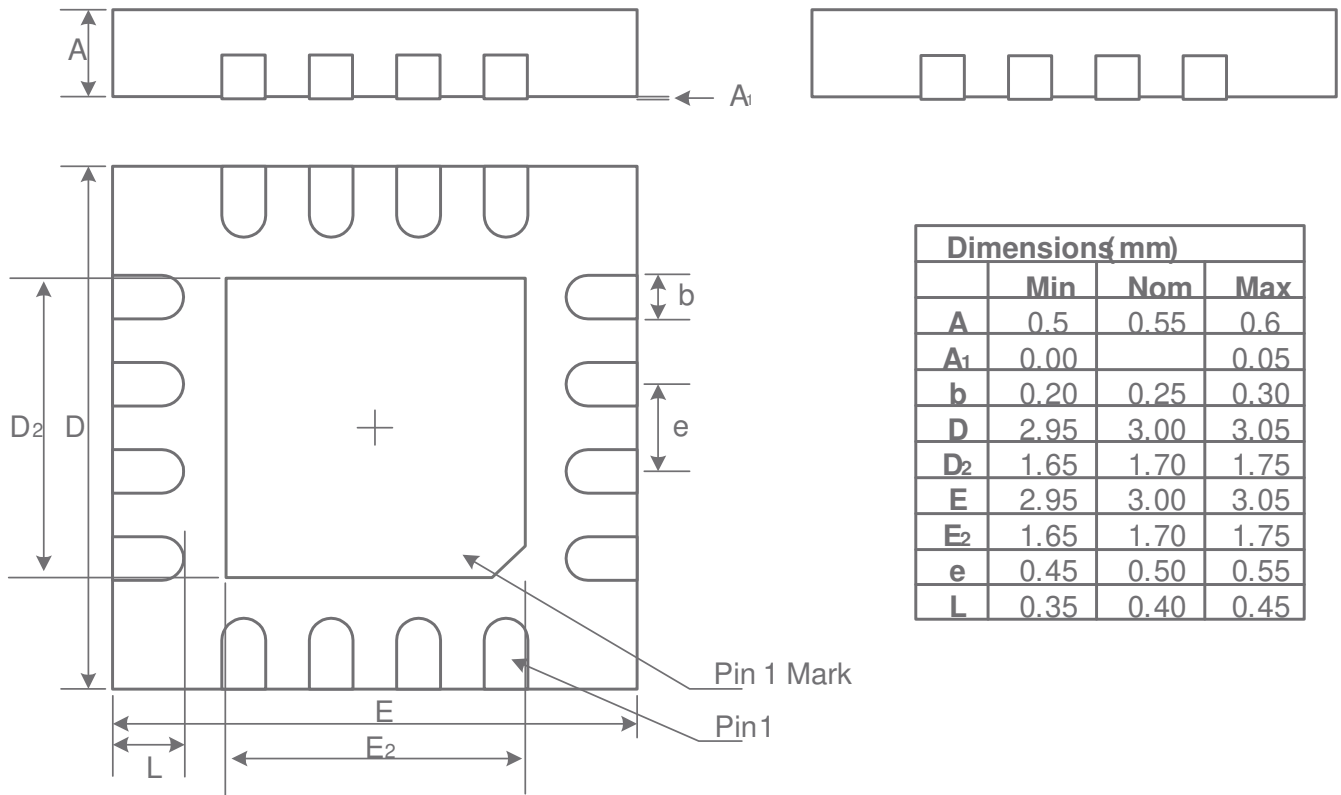
Parameters	Units	Min	Typ	Max	Conditions
Operating Frequency Band	GHz	5.15		5.85	All RF Pins are Loaded by 50-Ohm
Gain	dB	11.5	12.5		Between ANT and RX pins, LNA Mode; RXEN=LEN="High"
Noise Figure	dB		2.8	3.0	At ANT Pin, LNA Mode
Insertion Loss for LNA Bypass Mode	dB		6		Between ANT and RX Pins; TXEN/LEN="Low"
Input Return Loss	dB	-8	-10		At ANT Port, LNA Mode
			-15		LNA Bypass Mode
Output Return Loss	dB	-8	-10		At RX Port, LNA Mode
			-10		LNA Bypass Mode
DC Quiescent Current	mA		13		No RF Applied, Through VDD, LNA Mode
			0.003		No RF Applied, Through VDD, LNA Bypass Mode
Input P_{1dB}	dBm		-5		At ANT Pin, LNA Mode
			+16		At ANT Pin, LNA Bypass Mode

CONTROL LOGIC TRUTH TABLE

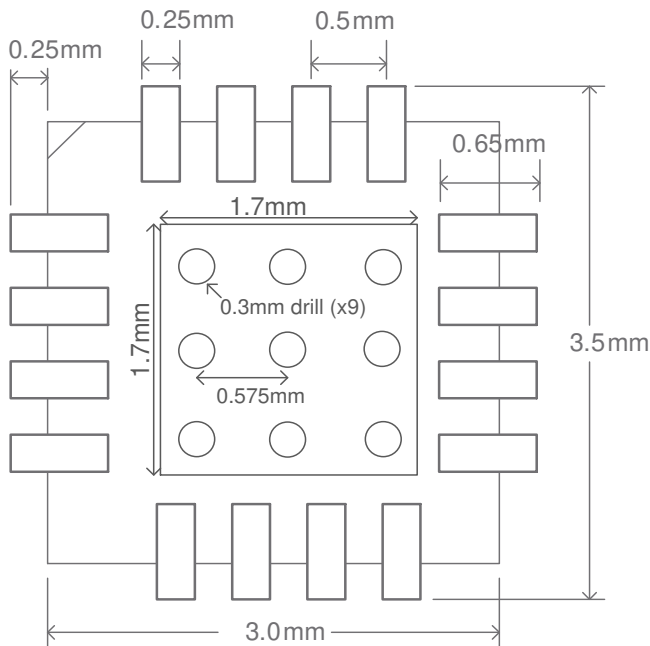
TXEN	LEN	RXEN	Mode Of Operation
0	0	0	Shutdown
1	0	X	Transmit Mode
0	1	1	LNA Receive Mode
0	0	1	LNA Bypass Mode

Note: "1" denotes high voltage state (> 1.2V)
 "0" denotes low voltage state (<0.3V) at Control Pins
 "X" denotes the don't care state
 10KΩ series resistor may be required for each control line

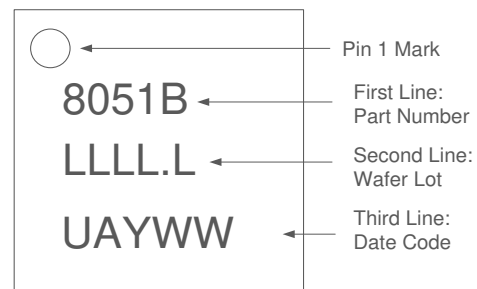
PACKAGE DIMENSIONS (All Dimensions in mm):



PCB LAND PATTERN (With Recommended Thermal Vias)



PACKAGE MARKING:



RFelC® is a registered trademark of RFAxis, Inc. All rights reserved.
This document and the RFX8051B product are subject to change without notice.