



Chipsmall Limited consists of a professional team with an average of over 10 year of expertise in the distribution of electronic components. Based in Hongkong, we have already established firm and mutual-benefit business relationships with customers from,Europe,America and south Asia,supplying obsolete and hard-to-find components to meet their specific needs.

With the principle of “Quality Parts,Customers Priority,Honest Operation,and Considerate Service”,our business mainly focus on the distribution of electronic components. Line cards we deal with include Microchip,ALPS,ROHM,Xilinx,Pulse,ON,Everlight and Freescale. Main products comprise IC,Modules,Potentiometer,IC Socket,Relay,Connector.Our parts cover such applications as commercial,industrial, and automotives areas.

We are looking forward to setting up business relationship with you and hope to provide you with the best service and solution. Let us make a better world for our industry!



Contact us

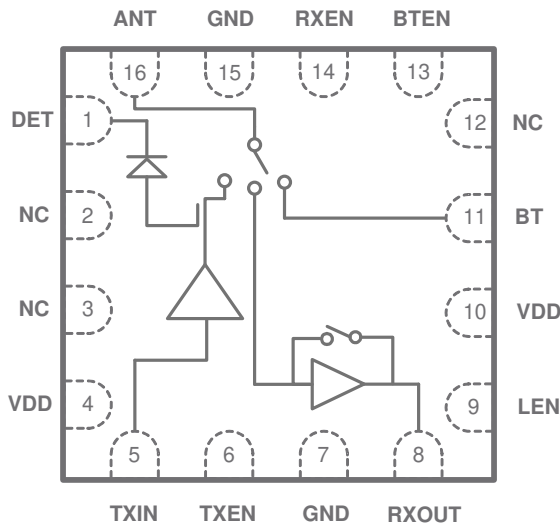
Tel: +86-755-8981 8866 Fax: +86-755-8427 6832

Email & Skype: info@chipsmall.com Web: www.chipsmall.com

Address: A1208, Overseas Decoration Building, #122 Zhenhua RD., Futian, Shenzhen, China



2.4GHZ CMOS WLAN / BLUETOOTH RFEIC WITH PA, LNA WITH BYPASS & SP3T SWITCH



DESCRIPTION

The RFX8422S is a fully integrated, single-chip, single-die RFEIC (RF Front-end Integrated Circuit) which incorporates all the RF functionality needed for dual-mode WLAN, Bluetooth operations including simultaneous WLAN and Bluetooth receive capability.

The RFX8422S architecture integrates a high-efficiency high-linearity PA, a directional Coupler and output Power Detector, impedance matching networks, harmonic filters, a LNA with Bypass and an SP3T Antenna Switch all in a single CMOS device.

This RFEIC is designed to be used in combined 802.11b/g/n and Bluetooth applications operating in the 2.4GHz band, and can be powered directly from the battery.

Combining superior performance, ultra-low power consumption, small form factor, and low cost, RFX8422S is the perfect solution for mobile, handheld, and portable devices with integrated WLAN and Bluetooth. RFX8422S is assembled in the ultra-compact 2.5 x 2.5 x 0.45 mm 16L QFN package, and requires minimal external components and PCB footprint.

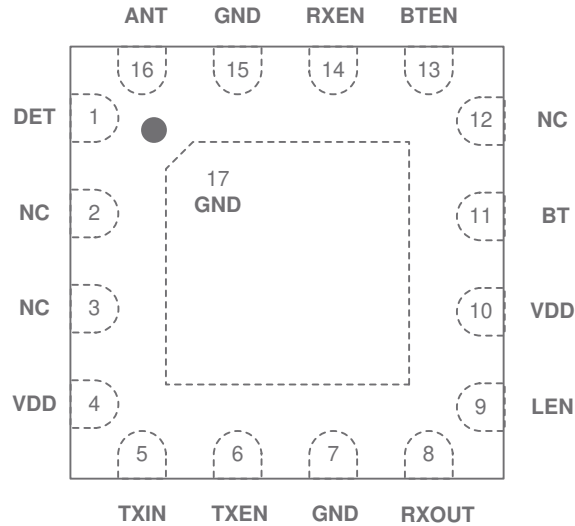
FEATURES

- Combines 802.11b/g/n and Bluetooth applications
- High linearity PA for 802.11 b/g/n WLAN
- Simultaneous WLAN and Bluetooth receive mode
- Low Noise Figure WLAN Receive LNA with Bypass for Near Range Operation
- Supports direct battery operation
- Built in directional coupler based output power detector
- ESD Protection Circuitry on All Ports
- DC decoupled RF Ports and VDD / RF Isolation
- 2.5mmx2.5mmx0.45mm Small Outline 16L QFN Package with Exposed Ground Pad

APPLICATIONS

- Smartphones, Feature Phones and MIDs with WLAN/Bluetooth
- WLAN/Bluetooth Platforms Requiring Shared Antenna
- Laptop / Netbook / Smartbook with Embedded WiFi & Bluetooth
- Portable Platforms with Integrated 802.11b/g/n and Bluetooth

PACKAGE PIN OUT AND PIN DESCRIPTION



(Top "See-Through" View)

Pin Number	Pin Name	Description
1	DET	PA Power Detector Output
2, 3, 12	NC	Not Connected Internally. Can be Grounded or Left Open
4, 10	VDD	DC Voltage Supply
5	TXIN	WLAN TX Signal Port from the Transceiver: DC Shorted to GND
6	TXEN	CMOS Logic Control to Enable WLAN Transmit
7, 15, Paddle	GND	Ground – Must be Connected to Ground
8	RXOUT	WLAN RX Signal Port to the Transceiver: DC Shorted to GND
9	LEN	CMOS Logic Control to Enable LNA. Use to switch between the LNA and Bypass modes
11	BT	RF signal Port from/to the Bluetooth Transceiver: DC Shorted to GND
13	BTEN	CMOS Logic Control to Enable Bluetooth
14	RXEN	CMOS Logic Control to Enable WLAN Receive
16	ANT	RF Signal Port to/from the Antenna: DC Shorted to GND

ABSOLUTE MAXIMUM RATINGS

Parameters	Min.	Max.	Unit	Conditions
DC VDD Voltage Supply	0	4.5	V	All VDD Pins
DC Control Pin Voltage	0	3.6	V	All Control Pins
DC current consumption		300	mA	TXEN = 1
TX RF Input Power		+5	dBm	
ANT RF Input Power		+10	dBm	
BT TX RF Input Power		+20	dBm	
Junction Temperature		150	°C	
Operating Temperature	-40	+85	°C	
Storage Ambient Temperature	-40	+150	°C	Appropriate care required according to JEDEC Standards

Note: Sustained operation at or above the Absolute Maximum Ratings for any single or combinations of the above parameters may result in permanent damage to the device and is not recommended.

All Maximum RF Input Power Ratings assume 50-Ohm terminal impedance.

NOMINAL OPERATING CONDITIONS

Parameters	Min	Typ	Max	Unit	Conditions
VDD Voltage Supply (Note 1)	2.9	3.6	4.5	V	
RF Port Impedance		50		Ω	Single-Ended
Control Voltage "High" (Note 2)	1.2		3.6	V	
Control Voltage "Low"	0		0.3	V	
Control Pin Current		0.1		μA	
Shutdown Current		6		μA	All Operation Modes
PA Turn On/Off Time		0.5	1	μs	
θ _{ja} (Note 3)		35		°C/W	
θ _{jc} Top (Note 4)			15	°C/W	
Antenna Switch Speed		0.5	1	μs	

Note 1: For normal operation of the RFX8422S, VDD must be continuously applied to all VDD supply pins.

Note 2: If control voltage can exceed 1.8V, a 1KΩ – 10KΩ series resistor is recommended for the application circuit on each control line.

Note 3: For operation above +85 °C, use the θ_{ja} as guidance for system design to assure the junction temperature will not exceed the maximum of +150 °C.

Note 4: For reference only. Contact RFAxis for details regarding thermal testing and PCB thermal configuration.

TRANSMIT PATH CHARACTERISTICS (VDD=3.6V, T_a=+25 °C)

Parameters	Min	Typ	Max	Unit	Conditions
Operating Frequency	2.4		2.5	GHz	
Linear Output Power 1		+18		dBm	EVM<3%, 802.11g 64QAM/54Mbps
Linear Output Power 2		+17.5		dBm	EVM<2.8%, 802.11n MCS7 HT40
Linear Output Power 3		+21		dBm	802.11b 1Mbps CCK Mask Compliance
TX Small Signal Gain		26		dB	
Current Consumption		170		mA	P _{OUT} = +18dBm
Second Harmonics		-21		dBc	P _{OUT} = +21dBm (CW)
Third Harmonics		-42		dBc	P _{OUT} = +21dBm (CW)
Power Detector Voltage		0.15 - 1		V	P _{OUT} = +5 to +21 dBm, 10kΩ load
Directional Coupler Directivity		20		dB	
Input Return Loss		-15		dB	
Output Return		-15		dB	
Load VSWR for Stability (CW, Fix Pin for Pout=+20dBm with 50Ω Load)	4:1	6:1		N/A	All non-harmonically related spurs less than -43dBm/MHz
Load VSWR for Ruggedness (CW, Fix Pin for Pout=+20dBm with 50 Ω Load)	8:1	10:1		N/A	No Damage

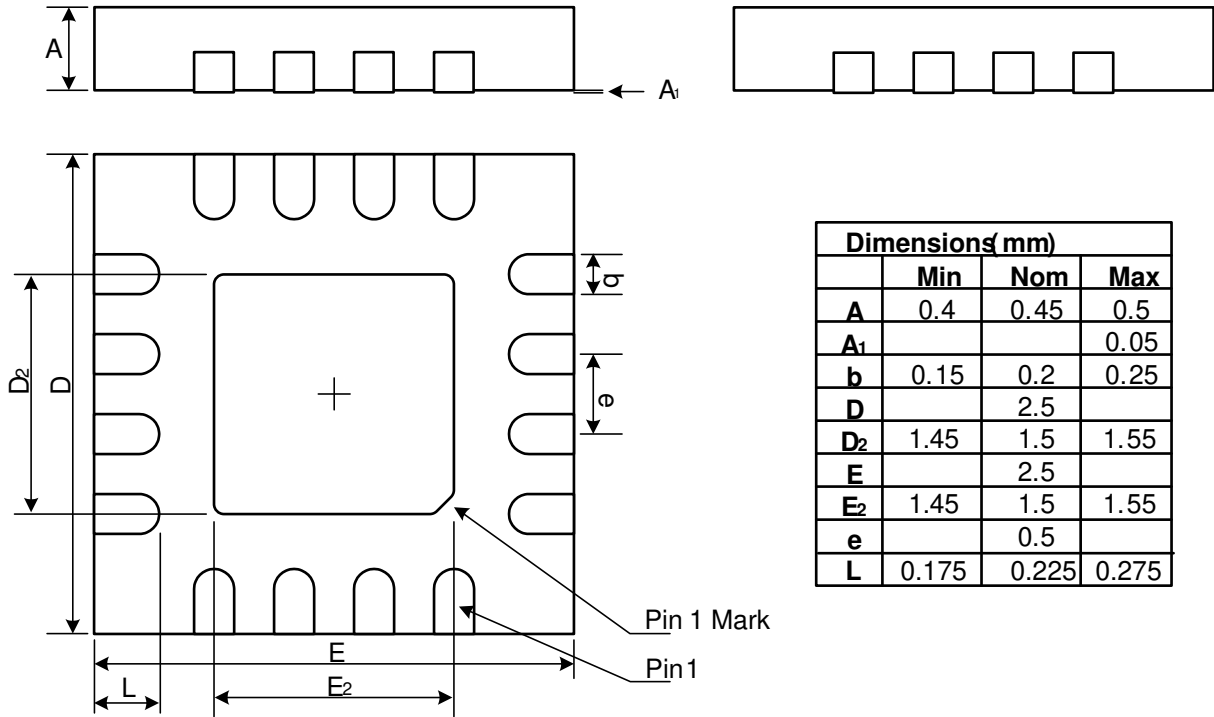
RECEIVE PATH CHARACTERISTICS (VDD=3.6V, T_a=+25 °C)

Parameters	Min	Typ	Max	Unit	Conditions
Operating Frequency	2.4		2.5	GHz	
Small-Signal Gain (High Gain Mode)		10		dB	Between ANT and RX pins; LEN = High
Small-Signal Current (High Gain Mode)		10		mA	LEN = High, No RF Applied
Noise Figure (High Gain Mode)		3.3		dB	At ANT pin
LNA 2 nd Harmonic		-30		dBc	At Input P1dB
LNA 3 rd Harmonic		-30		dBc	At Input P1dB
Insertion Loss (Bypass Mode)		11		dB	Between ANT and RX pins; LEN = Low
Insertion Loss (BT)		1		dB	Between ANT and BT pins

TRUTH TABLE

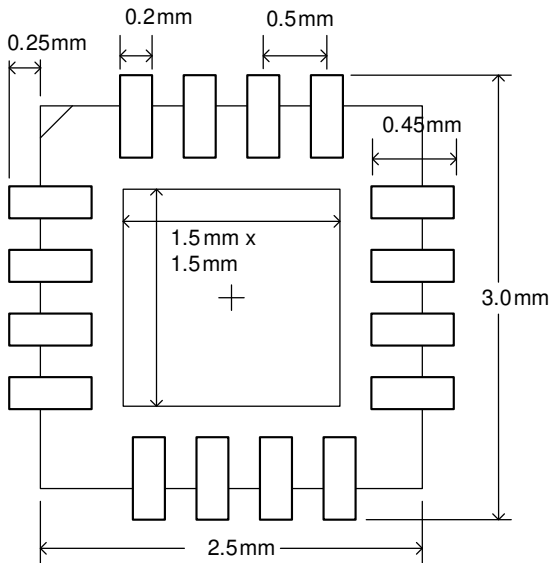
TXEN	BTEN	RXEN	LEN	Mode of Operating
0	0	0	x	Shutdown Mode
0	0	1	0	WLAN Receive. Bypass Mode
x	0	1	1	WLAN Receive. High Gain Mode
0	1	0	x	Bluetooth Transmit/Receive Mode
1	0	0	x	WLAN Transmit Mode
1	1	x	x	Unsupported
0	1	1	x	Unsupported
1	0	1	0	Unsupported

Note: "1" denotes high voltage state (> 1.2V) at Control Pins
 "0" denotes low voltage state (< 0.3V) at Control Pins
 1KΩ – 10KΩ series resistor may be required for each control line

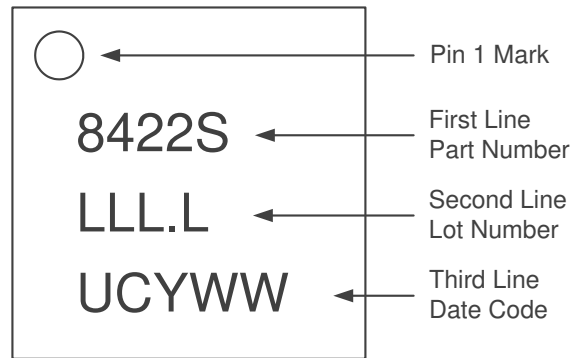


Dimensions (mm)			
	Min	Nom	Max
A	0.4	0.45	0.5
A ₁			0.05
b	0.15	0.2	0.25
D		2.5	
D ₂	1.45	1.5	1.55
E		2.5	
E ₂	1.45	1.5	1.55
e		0.5	
L	0.175	0.225	0.275

PCB LAND PATTERN



PACKAGE MARKING



TAPE SPECIFICATION

