



Chipsmall Limited consists of a professional team with an average of over 10 year of expertise in the distribution of electronic components. Based in Hongkong, we have already established firm and mutual-benefit business relationships with customers from,Europe,America and south Asia,supplying obsolete and hard-to-find components to meet their specific needs.

With the principle of “Quality Parts,Customers Priority,Honest Operation,and Considerate Service”,our business mainly focus on the distribution of electronic components. Line cards we deal with include Microchip,ALPS,ROHM,Xilinx,Pulse,ON,Everlight and Freescale. Main products comprise IC,Modules,Potentiometer,IC Socket,Relay,Connector.Our parts cover such applications as commercial,industrial, and automotives areas.

We are looking forward to setting up business relationship with you and hope to provide you with the best service and solution. Let us make a better world for our industry!



Contact us

Tel: +86-755-8981 8866 Fax: +86-755-8427 6832

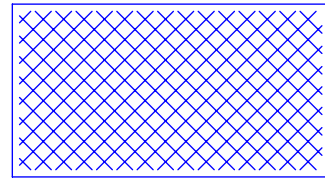
Email & Skype: info@chipsmall.com Web: www.chipsmall.com

Address: A1208, Overseas Decoration Building, #122 Zhenhua RD., Futian, Shenzhen, China



NOTES:

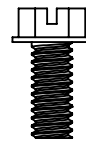
1. RACK GROUNDING EQUIPMENT JUMPER KIT
PART NUMBER: RGEJ1036PFY, RGEJ1096PF
2. ALL COMPONENTS THAT MAKE UP THIS KIT
ARE RoHS COMPLIANT.



CLEANING PAD (QTY. 1)



5cc TUBE ANTI-OXIDANT PASTE (QTY. 1)



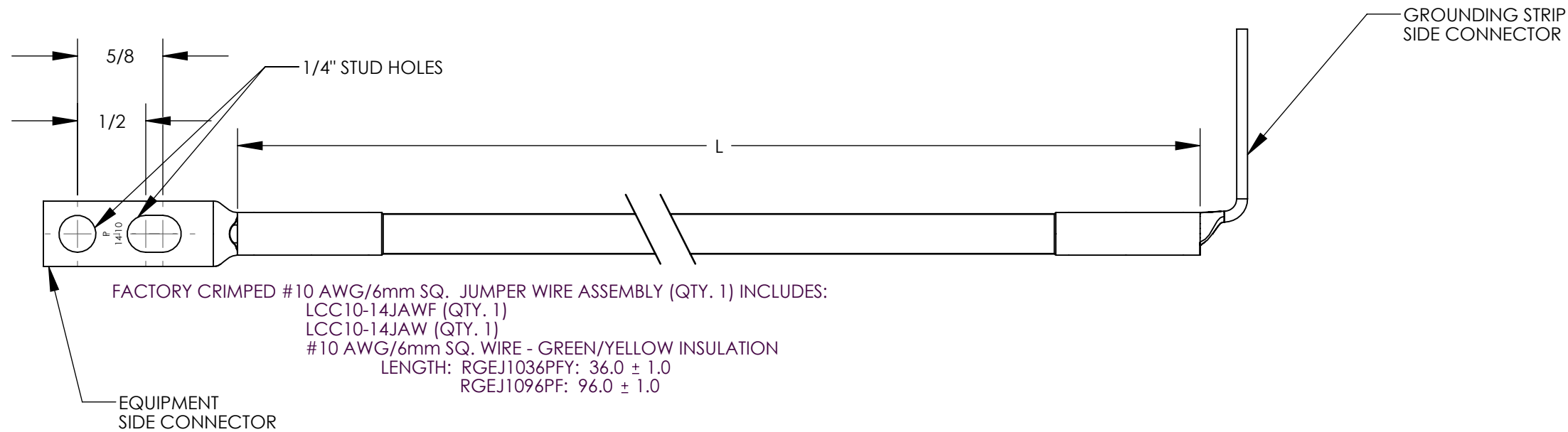
#12-24, M6, #10-32, & M5
SLOTTED HEX-HEAD ZINC PLATED
THREAD-FORMING SCREW (QTY. 2 OF EACH)



LISTED
GROUNDING AND BONDING EQUIPMENT



CERTIFIED



						PANDUIT CORP. TINLEY PARK, ILLINOIS			
						EQUIPMENT JUMPER (RGEJ1036PFY, RGEJ1096PF) CUSTOMER DRAWING			
03	12/12	JHNU	RGB	ADDED RGEJ1096PF	N41645BB-C41645	RGB	RGB	UNLESS OTHERWISE SPECIFIED DIMENSIONAL TOLERANCES ARE: (.X) ± (.XXX) ± (.XX) ± ANGLES ±	UNLESS OTHERWISE SPECIFIED, ALL DIMENSIONS ARE GIVEN IN INCHES, THIRD ANGLE PROJECTION
02	9/06	JHNU	CSH	REVISED NOTE 2: ADDED PACKAGE & CARTON WEIGHT	PC00542				
01	3/06	JHNU	CSH	REMOVED CE SYMBOL FROM DRAWING	PC00362			DRAWN BY JHNU	SCALE NONE
00	2/06	JHNU	CSH	DRAWING RELEASED	PC00325			DATE 2/06	DRAWING NO / CAD FILE C41645_03
REV	DATE	BY	CHK	DESCRIPTION	ECN	-R	SUP	CHK'D	DWG B SIZE