



Chipsmall Limited consists of a professional team with an average of over 10 year of expertise in the distribution of electronic components. Based in Hongkong, we have already established firm and mutual-benefit business relationships with customers from,Europe,America and south Asia,supplying obsolete and hard-to-find components to meet their specific needs.

With the principle of “Quality Parts,Customers Priority,Honest Operation,and Considerate Service”,our business mainly focus on the distribution of electronic components. Line cards we deal with include Microchip,ALPS,ROHM,Xilinx,Pulse,ON,Everlight and Freescale. Main products comprise IC,Modules,Potentiometer,IC Socket,Relay,Connector.Our parts cover such applications as commercial,industrial, and automotives areas.

We are looking forward to setting up business relationship with you and hope to provide you with the best service and solution. Let us make a better world for our industry!



## Contact us

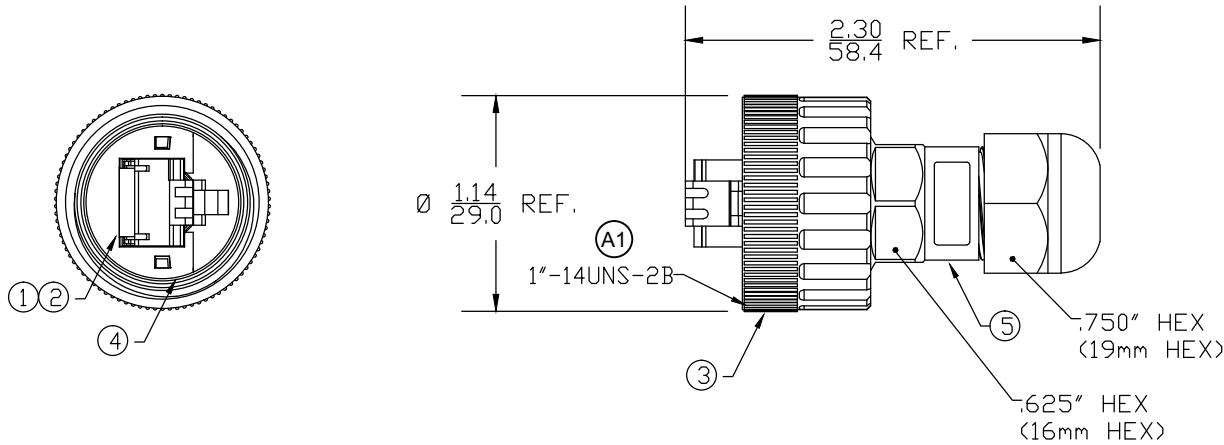
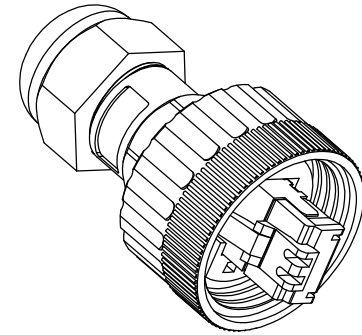
Tel: +86-755-8981 8866 Fax: +86-755-8427 6832

Email & Skype: info@chipsmall.com Web: www.chipsmall.com

Address: A1208, Overseas Decoration Building, #122 Zhenhua RD., Futian, Shenzhen, China



MATERIAL NUMBER	OLD PART NUMBER
130057-0003	ENSAM315



VOLTAGE RATING	125 VDC
AMPERAGE RATING	1.5 AMPS
PROTECTION	IP67
OPERATING TEMPERATURE	-20°C TO 80°C
CATEGORY RATING	Cat 5

ITEM	COMPONENT	MATERIAL	FINISH
1	CONTACT HOUSING	POLYCARBONATE	CLEAR
2	CONTACT PIN	COPPER ALLOY	GOLD OVER NICKEL
3	COUPLING NUT	ASA	BLACK
4	O-RING	VITON	BLACK
5	HOUSING	ASA	BLACK

CLARIFY THREAD DIMENSION  
 EC NO: IFC2017-0838  
 DRWN: MZIELINS 2017/03/08  
 CHKD: ---  
 APPR: BWOODMAN 2009/08/27

QUALITY SYMBOLS  
 $\nabla=0$   
 $\nabla C=0$

GENERAL TOLERANCES (UNLESS SPECIFIED)

	mm	INCH
4 PLACES	$\pm---$	$\pm---$
3 PLACES	$\pm---$	$\pm---$
2 PLACES	$\pm---$	$\pm.01$
1 PLACE	$\pm 0.3$	$\pm---$

ANGULAR  $\pm---$ °

DRAFT WHERE APPLICABLE MUST REMAIN WITHIN DIMENSIONS

DIMENSION STYLE IN/MM

SCALE --- INCH

DESIGN UNITS INCH

THIRD ANGLE PROJECTION

DRAWN BY DATE  
VOU 2009/08/26

CHECKED BY DATE  
BWOODMAN 2009/08/31

APPROVED BY DATE  
JFMURPHY 2009/08/27

MATERIAL NO. SEE CHART

SIZE A

TITLE  
 RJ-LNXX ATTACHABLE FOR SOLID-CORE CABLE

MOLEX INCORPORATED

DOCUMENT NO. SD-130057-002

SHEET NO. 1 OF 1

THIS DRAWING CONTAINS INFORMATION THAT IS PROPRIETARY TO MOLEX INCORPORATED AND SHOULD NOT BE USED WITHOUT WRITTEN PERMISSION