



Chipsmall Limited consists of a professional team with an average of over 10 year of expertise in the distribution of electronic components. Based in Hongkong, we have already established firm and mutual-benefit business relationships with customers from,Europe,America and south Asia,supplying obsolete and hard-to-find components to meet their specific needs.

With the principle of "Quality Parts,Customers Priority,Honest Operation,and Considerate Service",our business mainly focus on the distribution of electronic components. Line cards we deal with include Microchip,ALPS,ROHM,Xilinx,Pulse,ON,Everlight and Freescale. Main products comprise IC,Modules,Potentiometer,IC Socket,Relay,Connector.Our parts cover such applications as commercial,industrial, and automotives areas.

We are looking forward to setting up business relationship with you and hope to provide you with the best service and solution. Let us make a better world for our industry!



Contact us

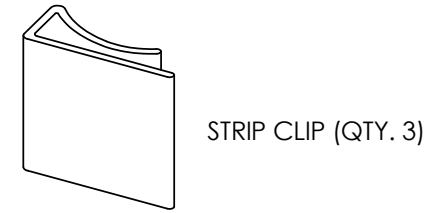
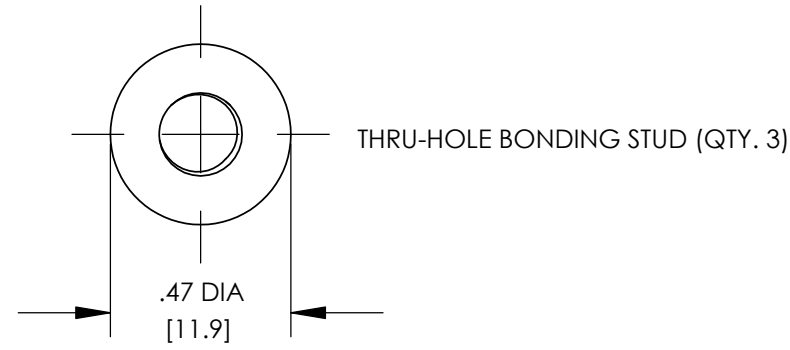
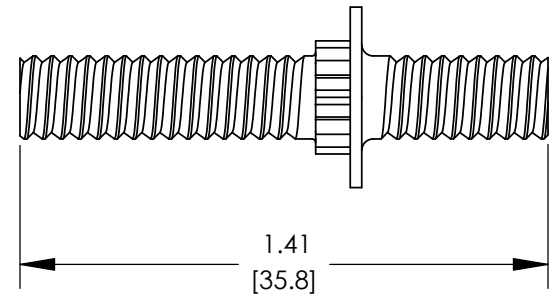
Tel: +86-755-8981 8866 Fax: +86-755-8427 6832

Email & Skype: info@chipsmall.com Web: www.chipsmall.com

Address: A1208, Overseas Decoration Building, #122 Zhenhua RD., Futian, Shenzhen, China



THIS COPY IS PROVIDED ON A RESTRICTED BASIS AND IS NOT TO BE USED IN ANY WAY DETRIMENTAL TO THE INTERESTS OF PANDUIT CORP.



STRIP CLIP (QTY. 3)

NOTES:

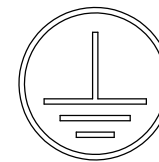
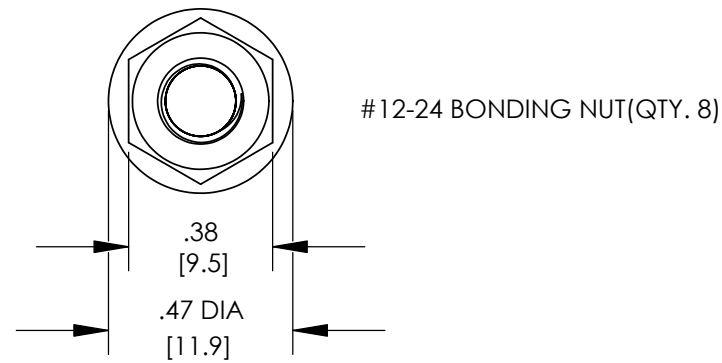
1. THRU-HOLE GROUNDING KIT
PART NUMBER: RGS134C-1
2. PACKAGING: 1 KIT PER BOX
3. ALL COMPONENTS THAT MAKE UP THIS
KIT ARE RoHS COMPLIANT.
4. DIMENSIONS IN PARENTHESIS ARE
MILLIMETERS.



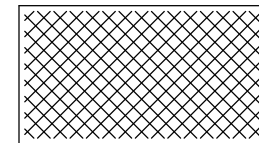
LISTED
GROUNDING AND BONDING EQUIPMENT



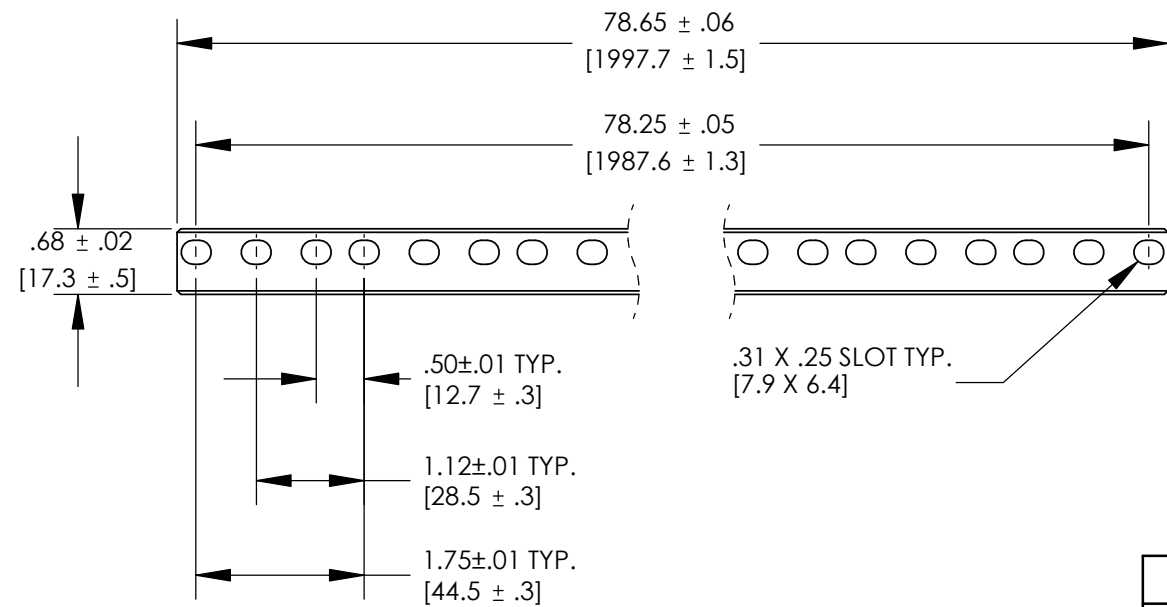
CERTIFIED



UNIVERSAL GROUNDING STICKER (QTY. 1)



CLEANING PAD (QTY. 1)



GROUNDING STRIP (QTY. 1)
45 RU (EIA SPACING)



5cc TUBE ANTI-OXIDANT PASTE (QTY. 1)

C41703_01

PANDUIT CORP. TINLEY PARK, ILLINOIS

THRU-HOLE GROUNDING KIT
(RGS134C-1)
CUSTOMER DRAWING

UNLESS OTHERWISE SPECIFIED
DIMENSIONAL TOLERANCES ARE:
(.X) ± (.XXX) ±
(.XX) ± ANGLES ±

UNLESS OTHERWISE SPECIFIED,
ALL DIMENSIONS ARE GIVEN IN
INCHES, THIRD ANGLE PROJECTION

01	3/07	JHNU	JMAR	REVISED NOTE 1: THRU-HOLE WAS CAGE NUT	PC00657					DRAWN BY JHNU	MAT'L:	SCALE NONE
00	3/07	JHNU	JMAR	DRAWING RELEASED	PC00681					DATE 3/07		DRAWING NO / CAD FILE C41703
REV	DATE	BY	CHK	DESCRIPTION	ECN	PM	CUST	CHK'D				DWG B SIZE