



Chipsmall Limited consists of a professional team with an average of over 10 year of expertise in the distribution of electronic components. Based in Hongkong, we have already established firm and mutual-benefit business relationships with customers from,Europe,America and south Asia,supplying obsolete and hard-to-find components to meet their specific needs.

With the principle of "Quality Parts,Customers Priority,Honest Operation,and Considerate Service",our business mainly focus on the distribution of electronic components. Line cards we deal with include Microchip,ALPS,ROHM,Xilinx,Pulse,ON,Everlight and Freescale. Main products comprise IC,Modules,Potentiometer,IC Socket,Relay,Connector.Our parts cover such applications as commercial,industrial, and automotives areas.

We are looking forward to setting up business relationship with you and hope to provide you with the best service and solution. Let us make a better world for our industry!



Contact us

Tel: +86-755-8981 8866 Fax: +86-755-8427 6832

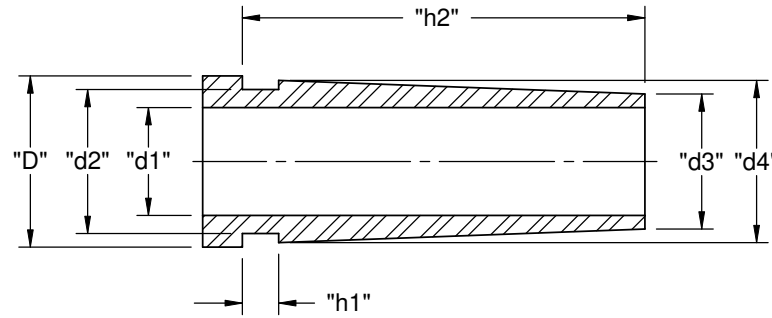
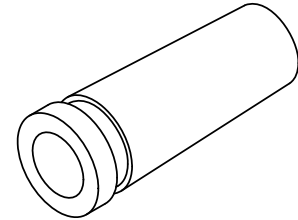
Email & Skype: info@chipsmall.com Web: www.chipsmall.com

Address: A1208, Overseas Decoration Building, #122 Zhenhua RD., Futian, Shenzhen, China



PART NO.	"d2"	"h1"	"d1" NOMINAL DIA.	"h2"	"D"	"d3"	"d4"
RGS2-12462	.500 (12.7)	.126 (3.2)	.374 (9.5)	1.398 (35.5)	.594 (15.1)	.469 (11.9)	.563 (14.3)
RGS2-51409		.031 (0.8)	.344 (8.7)	1.055 (26.8)	.752 (19.1)	.480 (12.2)	.594 (15.1)

AVAILABLE BY SPECIAL ORDER



- NOTES:
 1. MATERIAL: PVC (RMS-25)
 2. COLOR: BLACK

REV.		DESCRIPTION	ENGR.	DATE	TITLE: RICHCO GROMMET SLEEVE - TYPE 2	FILE #: RGS2	DWN: S.J.	APP:	DWG IN IN [MM]	FINAL	PRINT TYPE		
D		SEE CO 200604 FOR CHANGES	SK	12/01/10	TOLERANCES UNLESS NOTED .XX=±.020 .XXX=±.015 FRAC.=±1/32 ANG.=±1°	SHEET: 1 OF 1	SHEET SIZE: A	DT: 07.15.02	CHKD:	PART #	PRINT TYPE		
C		SEE ECN #1148 FOR CHANGES	SJ	03.29.06		RE: RICHCO, INC.	RICHCO, INC.		ENG@RICHCO-INC.COM			SEE TABLE	CA
B		SEE ECN #606 FOR CHANGES	SM	03.31.03		RICHCO, INC.		ENG@RICHCO-INC.COM					
A		SEE ECN #541 FOR CHANGES	SM	12.12.02		RICHCO, INC.		(773) 539-4060					
REV.		DESCRIPTION	ENGR.	DATE									