



Chipsmall Limited consists of a professional team with an average of over 10 year of expertise in the distribution of electronic components. Based in Hongkong, we have already established firm and mutual-benefit business relationships with customers from,Europe,America and south Asia,supplying obsolete and hard-to-find components to meet their specific needs.

With the principle of "Quality Parts,Customers Priority,Honest Operation,and Considerate Service",our business mainly focus on the distribution of electronic components. Line cards we deal with include Microchip,ALPS,ROHM,Xilinx,Pulse,ON,Everlight and Freescale. Main products comprise IC,Modules,Potentiometer,IC Socket,Relay,Connector.Our parts cover such applications as commercial,industrial, and automotives areas.

We are looking forward to setting up business relationship with you and hope to provide you with the best service and solution. Let us make a better world for our industry!



## Contact us

Tel: +86-755-8981 8866 Fax: +86-755-8427 6832

Email & Skype: info@chipsmall.com Web: www.chipsmall.com

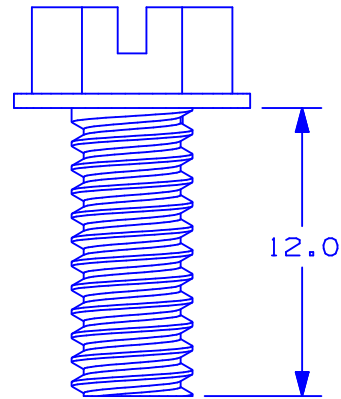
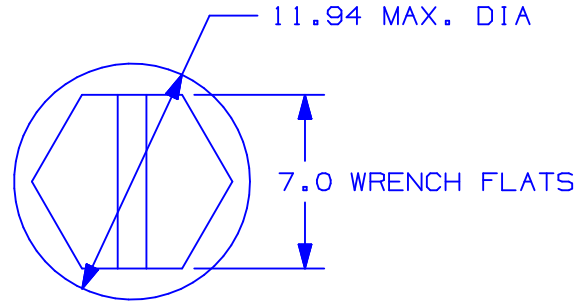
Address: A1208, Overseas Decoration Building, #122 Zhenhua RD., Futian, Shenzhen, China



PANDUIT PART NUMBER	QUANTITY
RGTSM6-C	100

NOTES:

1. PAINT PIERCING THREAD DESIGN TO PROVIDE GROUNDING CONNECTION TO THE RACK.
2. M6 SLOTTED HEX HEAD THREAD FORMING SCREW.
3. MATERIAL: ZINC PLATED LOW CARBON STEEL
4. PANDUIT PART NUMBER: RGTSM6-C
5. DIMENSIONS ARE IN MILLIMETERS.



C41471\_00

**PANDUIT**

CORP.

TINLEY PARK, ILLINOIS

M6 SLOTTED HEX HEAD  
 THREAD FORMING SCREW (RGTSM6)  
 CUSTOMER DRAWING

REV	DATE	BY	CHK	DESCRIPTION	ECN #	PM	CUST
00	12/04	JHNU		DRAWING RELEASED			

DRAWN BY JHNU	CHK'D	SCALE NONE	DRAWING NO. C41471
------------------	-------	---------------	-----------------------