



Chipsmall Limited consists of a professional team with an average of over 10 year of expertise in the distribution of electronic components. Based in Hongkong, we have already established firm and mutual-benefit business relationships with customers from,Europe,America and south Asia,supplying obsolete and hard-to-find components to meet their specific needs.

With the principle of "Quality Parts,Customers Priority,Honest Operation,and Considerate Service",our business mainly focus on the distribution of electronic components. Line cards we deal with include Microchip,ALPS,ROHM,Xilinx,Pulse,ON,Everlight and Freescale. Main products comprise IC,Modules,Potentiometer,IC Socket,Relay,Connector.Our parts cover such applications as commercial,industrial, and automotives areas.

We are looking forward to setting up business relationship with you and hope to provide you with the best service and solution. Let us make a better world for our industry!



Contact us

Tel: +86-755-8981 8866 Fax: +86-755-8427 6832

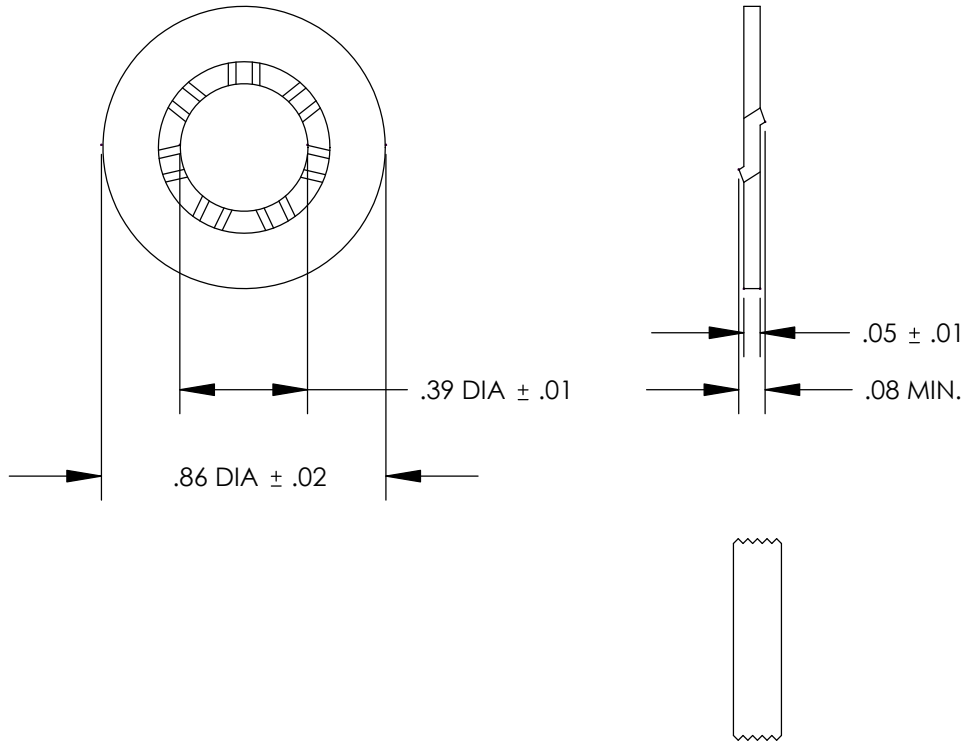
Email & Skype: info@chipsmall.com Web: www.chipsmall.com

Address: A1208, Overseas Decoration Building, #122 Zhenhua RD., Futian, Shenzhen, China



NOTES:

1. ALL COMPONENTS THAT MAKE UP THIS PART ARE ROHS COMPLIANT.



COMPONENT DESCRIPTION	PART NUMBER			
	RGW-100-1Y	RGW-32-1Y	RGW-24-1Y	RGW-12-1Y
	QUANTITY PER PACKAGE			
RACK GROUNDING WASHER	100	32	24	12
5cc TUBE OF ANTI-OXIDANT PASTE	1	1	1	1

C41602_00

PANDUIT CORP. TINLEY PARK, ILLINOIS

RACK GROUNDING WASHER KIT (RGW)
CUSTOMER DRAWING

REV	DATE	BY	CHK	DESCRIPTION	ECN	PM	CUST
00	12/05	JHNU	CSH	DRAWING RELEASED - ROHS COMPLIANT	PC00205		

DRAWN BY JHNU CHK'D SCALE NONE DRAWING NO / CAD FILE C41602