



Chipsmall Limited consists of a professional team with an average of over 10 year of expertise in the distribution of electronic components. Based in Hongkong, we have already established firm and mutual-benefit business relationships with customers from,Europe,America and south Asia,supplying obsolete and hard-to-find components to meet their specific needs.

With the principle of “Quality Parts,Customers Priority,Honest Operation,and Considerate Service”,our business mainly focus on the distribution of electronic components. Line cards we deal with include Microchip,ALPS,ROHM,Xilinx,Pulse,ON,Everlight and Freescale. Main products comprise IC,Modules,Potentiometer,IC Socket,Relay,Connector.Our parts cover such applications as commercial,industrial, and automotives areas.

We are looking forward to setting up business relationship with you and hope to provide you with the best service and solution. Let us make a better world for our industry!



## Contact us

Tel: +86-755-8981 8866 Fax: +86-755-8427 6832

Email & Skype: info@chipsmall.com Web: www.chipsmall.com

Address: A1208, Overseas Decoration Building, #122 Zhenhua RD., Futian, Shenzhen, China



# RAINHOOD KIT

BUL86012

REV. A

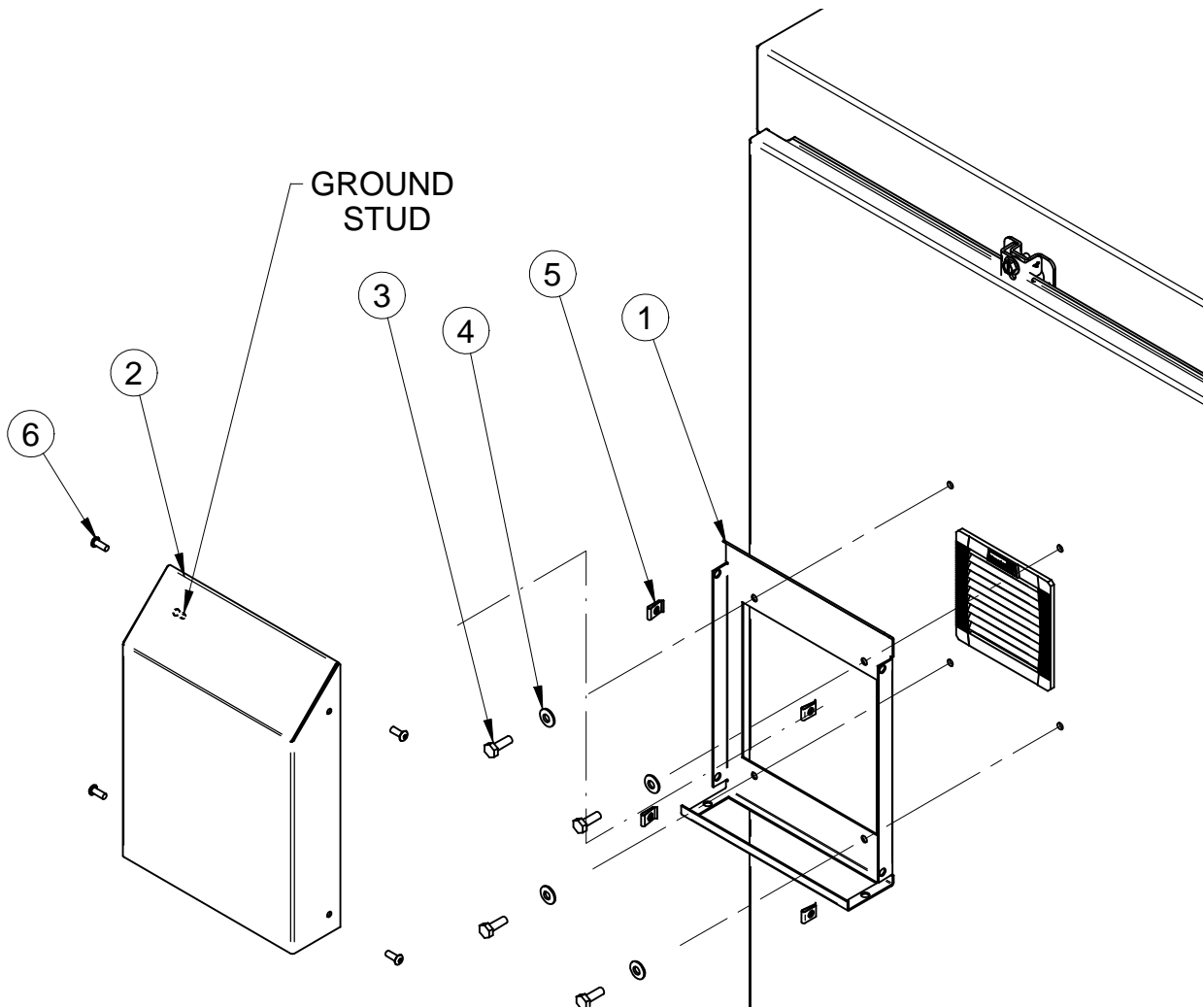
A) MARK AND DRILL HOLES TO DIMENSIONS SHOWN IN DRILL DETAIL.

B) MOUNT INNER BASE PLATE USING SCREWS, WASHERS, AND NUTS SUPPLIED.

C) SLIP CLIP NUTS ON TO BOLT HOLES IN FLANGES.

D) MOUNT OUTER COVER ON BASE PLATE USING SCREWS PROVIDED.

PART #	QTY.	DESCRIPTION
1	1	BASE
2	1	COVER
3	4	BASE SCREW (1/4"-20)
4	4	WASHER
5	4	CLIP NUT
6	4	COVER SCREW (#10-32)
7	4	BASE NUT



<p>TOOL BOX</p>	<p>1/8" Allen Key</p>	<p>Centre Punch</p>	<p>Drill, use .250"</p>	<p>10mm, 17mm, &amp; 9/16" Socket Wrench</p>	<p>7/16 Open End Wrench</p>	<p>Tape Measure</p>
-----------------	-----------------------	---------------------	-------------------------	--	-----------------------------	---------------------

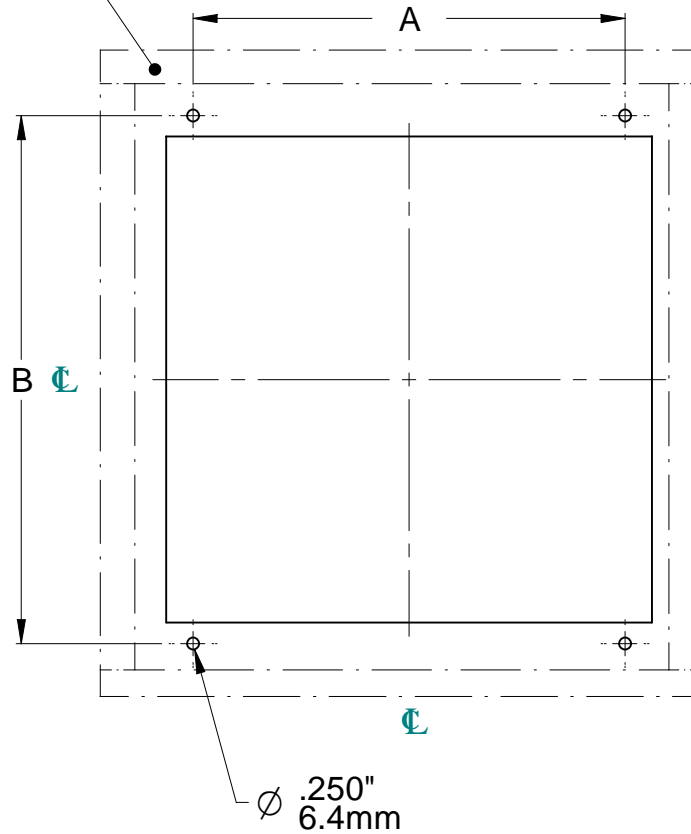
# RAINHOOD KIT

BUL86012

REV. A

INSTALL GASKET ON  
BACK OF INNER BASE  
PLATE

## HOLE PATTERN



MODELS	A	B
RH20000GY, RH20000LG, RH20000SS	5.000	7.000
RH40000GY, RH40000LG, RH40000SS	9.000	11.000
RH60000GY, RH60000LG, RH60000SS	12.000	13.875

<b>TOOL BOX</b> 	<b>1/8" Allen Key</b> 	<b>Centre Punch</b> 	<b>Drill, use .250"</b> 	<b>10mm, 17mm, &amp; 9/16" Socket Wrench</b> 	<b>7/16 Open End Wrench</b> 	<b>Tape Measure</b> 
---------------------	---------------------------	-------------------------	-----------------------------	--	---------------------------------	-------------------------