



Chipsmall Limited consists of a professional team with an average of over 10 year of expertise in the distribution of electronic components. Based in Hongkong, we have already established firm and mutual-benefit business relationships with customers from,Europe,America and south Asia,supplying obsolete and hard-to-find components to meet their specific needs.

With the principle of "Quality Parts,Customers Priority,Honest Operation,and Considerate Service",our business mainly focus on the distribution of electronic components. Line cards we deal with include Microchip,ALPS,ROHM,Xilinx,Pulse,ON,Everlight and Freescale. Main products comprise IC,Modules,Potentiometer,IC Socket,Relay,Connector.Our parts cover such applications as commercial,industrial, and automotives areas.

We are looking forward to setting up business relationship with you and hope to provide you with the best service and solution. Let us make a better world for our industry!



Contact us

Tel: +86-755-8981 8866 Fax: +86-755-8427 6832

Email & Skype: info@chipsmall.com Web: www.chipsmall.com

Address: A1208, Overseas Decoration Building, #122 Zhenhua RD., Futian, Shenzhen, China



Specification Status: RELEASED

Electrical Rating

Voltage: 16V_{DC} MAX
Current: 100A MAX

INSULATING MATERIAL:

Cured, Flame Retarded Epoxy Polymer

LEAD MATERIAL:

20 AWG Tin/Lead Plated Copper

PART MARKING:

- Raychem Logo and Voltage
- ⊗ 16
- H10 — Part Identification
- □ □ □ — Lot Identification (can be on back)

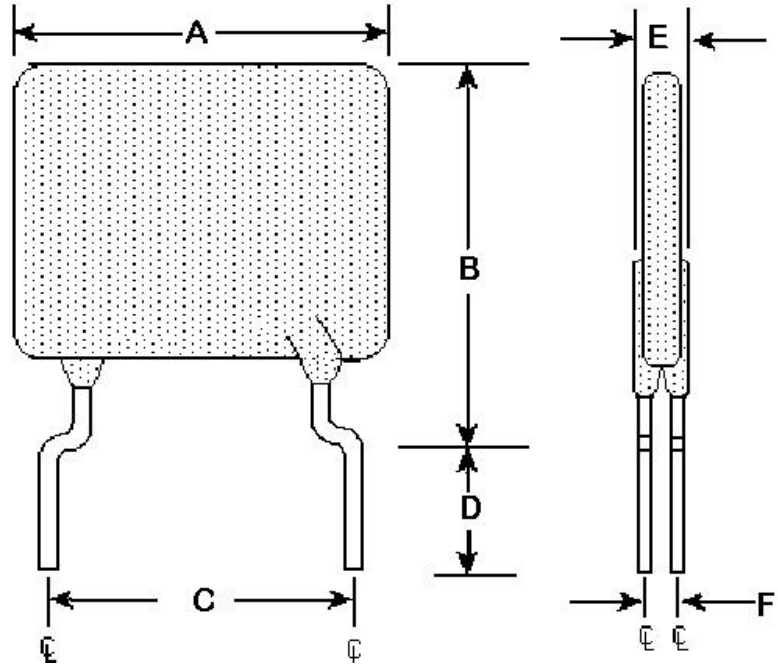


TABLE I. DIMENSIONS:

	A		B		C		D		E		F
	MIN	MAX	MIN	MAX	MIN	MAX	MIN	MAX	MIN	MAX	TYP
mm:	--	17.5	--	26.5	9.4	10.9	7.6	--	--	3.0	1.2
in*:	--	0.69	--	1.04	(0.37)	(0.43)	(0.30)	--	--	(0.12)	(0.05)

*Rounded off approximation

TABLE II. PERFORMANCE RATINGS:

I HOLD	CURRENT RATINGS						TIME TO TRIP	RESISTANCE		TRIPPED-STATE POWER DISSIPATION
	AMPS AT 0°C		AMPS AT 25°C		AMPS AT 60°C			OHMS AT 25°C		
HOLD	HOLD	TRIP	HOLD	TRIP	HOLD	TRIP	SECONDS AT 25°C, 50A MAX	MIN	MAX	WATTS AT 25°C TYP
10.0	--	--	10.0	18.5	--	--	9.0	0.0062	0.015	5.3

Recognitions:

UL, TUV, CSA recognized.

Reference Documents:

PS300

Precedence:

This specification takes precedence over documents referenced herein.

Effectivity:

Reference documents shall be the issue in effect on the date of invitation for bid.

CAUTION:

Operation beyond the rated voltage or current may result in rupture, electrical arcing or flame.