



Chipsmall Limited consists of a professional team with an average of over 10 year of expertise in the distribution of electronic components. Based in Hongkong, we have already established firm and mutual-benefit business relationships with customers from,Europe,America and south Asia,supplying obsolete and hard-to-find components to meet their specific needs.

With the principle of “Quality Parts,Customers Priority,Honest Operation,and Considerate Service”,our business mainly focus on the distribution of electronic components. Line cards we deal with include Microchip,ALPS,ROHM,Xilinx,Pulse,ON,Everlight and Freescale. Main products comprise IC,Modules,Potentiometer,IC Socket,Relay,Connector.Our parts cover such applications as commercial,industrial, and automotives areas.

We are looking forward to setting up business relationship with you and hope to provide you with the best service and solution. Let us make a better world for our industry!



## Contact us

Tel: +86-755-8981 8866 Fax: +86-755-8427 6832

Email & Skype: info@chipsmall.com Web: www.chipsmall.com

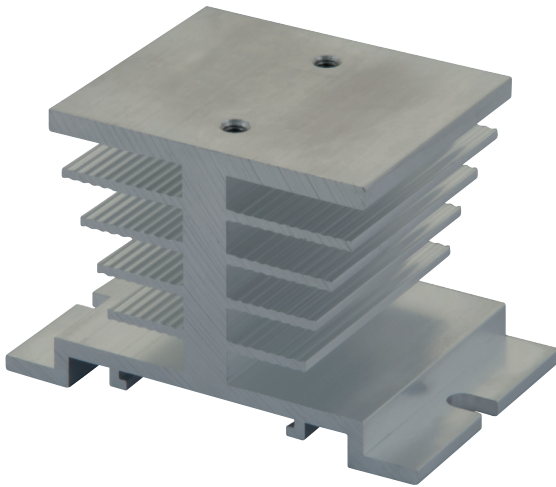
Address: A1208, Overseas Decoration Building, #122 Zhenhua RD., Futian, Shenzhen, China



# RHS5050D, RHS5050RFD



## Accessories: Heatsinks



### Main features

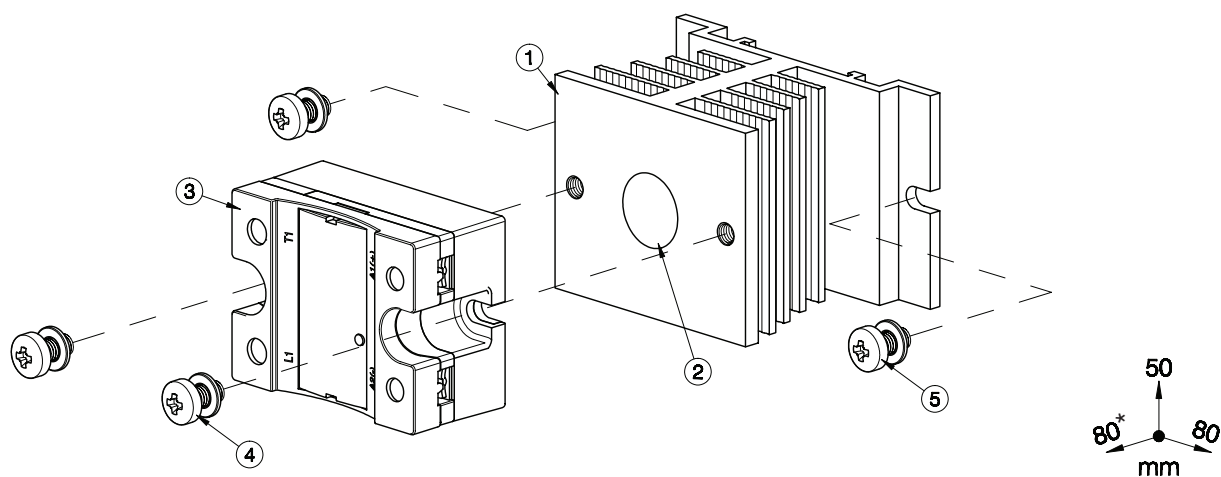
- 3.5°C/W thermal resistance
- Suitable for mounting of 1-phase SSRs
- Panel mounting
- Dimensions W x H x D: 80 x 50 x 51 mm
- RoHS compliant

### Description

Heatsink assembly suitable for mounting of 1x 1-phase solid state relay (SSR). Suffix H60 added to SSR part no. refers to factory mounted heatsink. Conditions apply. Please ask your sales representative for further details.

# Structure

## RHS5050D



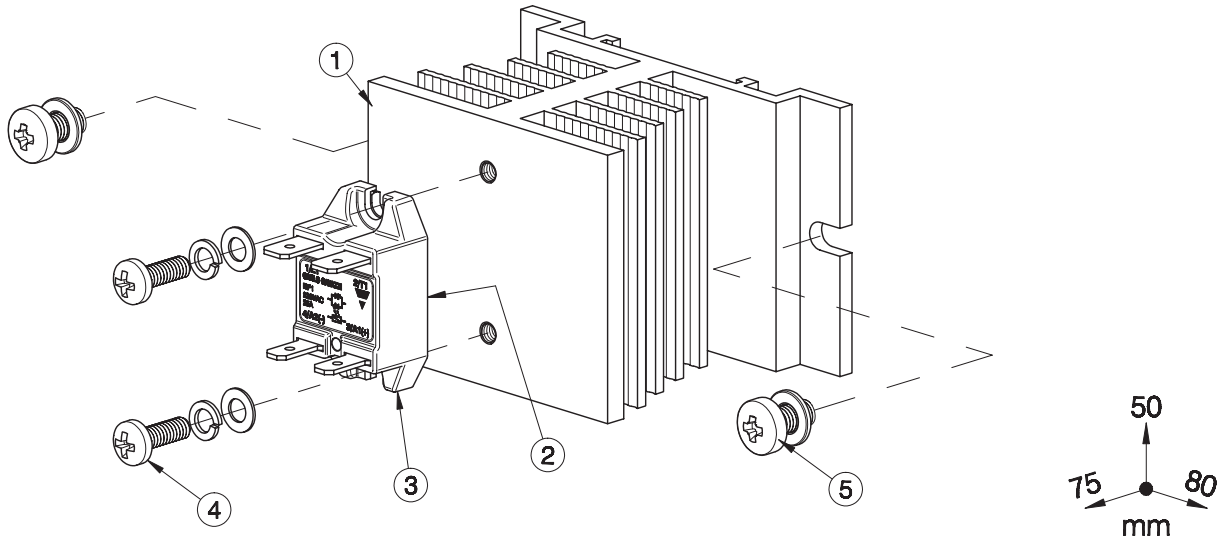
Element	Component	Qty	RHS5050D
1	RHS5050D heatsink assembly	1	Provided
2	Thermal Compound or Pad	1	Not provided
3	1-phase SSR 45x59mm	1	Not provided
4	M5x10mm PZ2 + Washer	2	Provided
5	Panel Mounting Screws Ø5mm max.	2	Not provided

**Note:**

\* 84mm for RK..C, 95mm for RK..P (including plug).

Dimensions including the SSR.

**RHS5050RFD**



Element	Component	Qty	RHS5050RFD
1	RHS5050RFD heatsink assembly	1	Provided
2	Phase change thermal pad	1	Pre-attached to RF1
3	1-phase SSR 21x36mm	1	Not provided
4	M4x12mm PZ2 + Washer	2	Provided
5	Panel Mounting Screws Ø5mm max.	2	Not provided

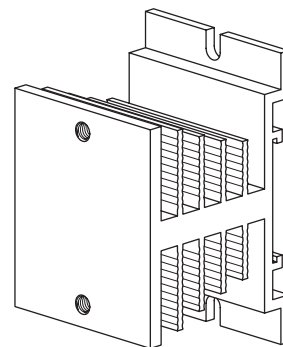
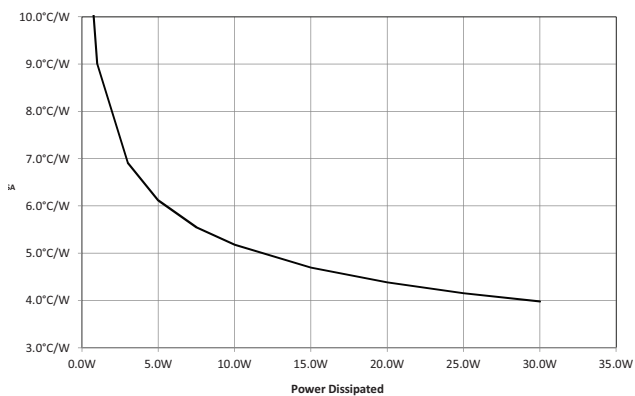
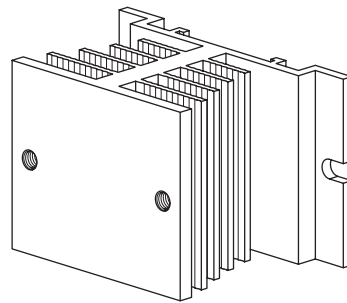
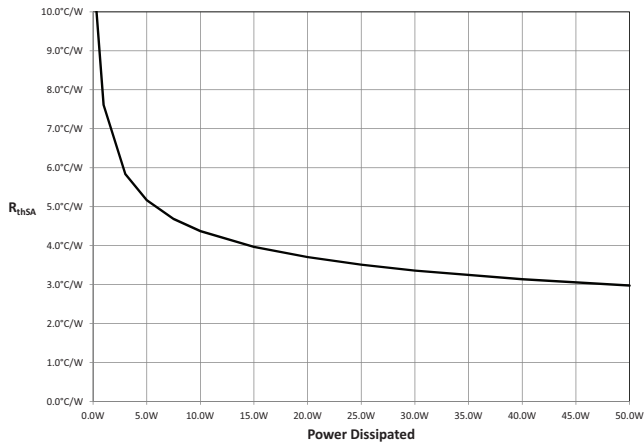
Dimensions including the SSR.

# Features

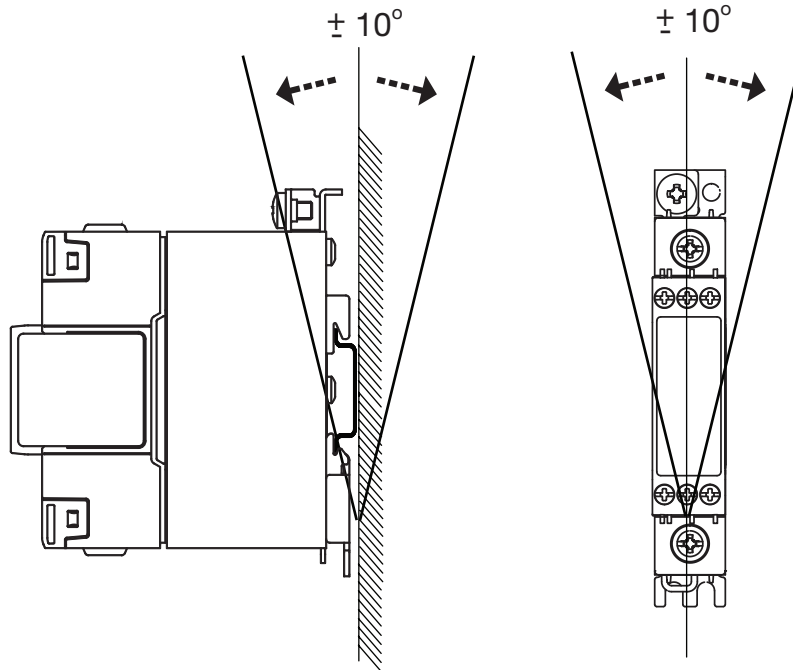
## General

<b>SSR max. mounting torque</b>	1.5Nm (13.3 lb-in)
<b>Weight (excl. SSR)</b>	approx. 165g
<b>Material</b>	Aluminium
<b>Finish</b>	None
<b>Fan mounting</b>	Not possible

## Thermal resistance curve

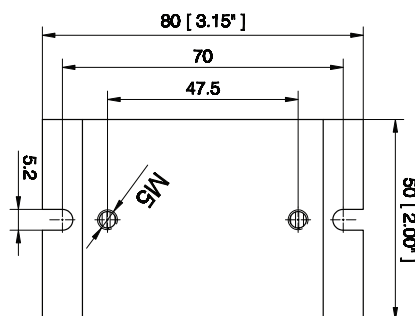
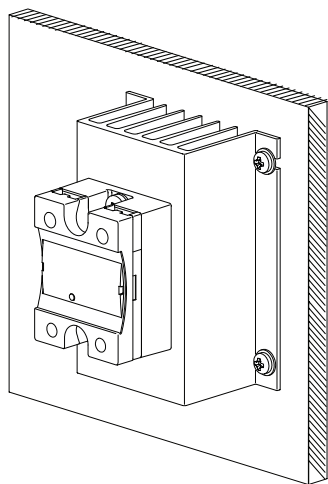


▶ Mounting position

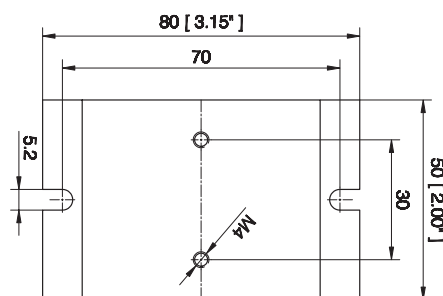


Installation

RHS5050D



RHS5050RFD



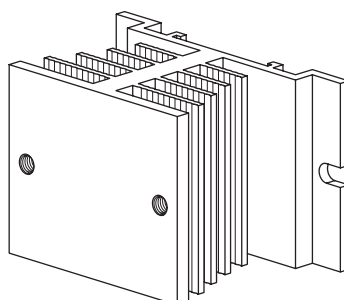
All dimensions in mm.  
Illustrations are for example only.



## Recommended maximum current rating (per SSR)

1. The below recommendations are only valid when the assembly (SSR + heatsink) is mounted as shown in the mounting instructions unless otherwise indicated.
2. The indicated ratings are applicable to one SSR, one pole. Please refer to the online selector tool at [www.productselection.net](http://www.productselection.net) for different load currents, surrounding temperatures or multiple units on one heatsink.
3. These recommendations are applicable only with the indicated Carlo Gavazzi thermal interface material between SSR and heatsink. In case a different thermal interface is utilised these recommendations may no longer be valid.

The results indicated below apply when heatsink is mounted in the indicated orientation:



### Pre-attached phase change pad, RKHT

1x 2-pole SSR	Surrounding temperature							
	°C	20	30	40	50	60	70	80
	°F	68	86	104	122	140	158	176
RK 2.. (per pole)	50	19	17	14.5	12.5	10	8	6
	51	20	17.5	15.5	13	10.5	8.5	6
	75	22	19	16.5	14	11.5	9	6.5


### Pre-attached phase change pad, RFHT

1x 1-phase SSR	Surrounding temperature							
	°C	20	30	40	50	60	70	80
	°F	68	86	104	122	140	158	176
RF1	25	20	17.5	15	12.5	9.5	6	3




 Thermal compound, HTS02S

1x 1-phase SSR	Surrounding temperature							
	°C °F	20 68	30 86	40 104	50 122	60 140	70 158	80 176
RD..	1	1	1	1	1	1	1	-
	5	5	5	5	5	5	4.5	-
RA..L RA..T	10	10	10	10	10	8	4.5	-
	25	17	16	14	11	8	4.5	-
RA..	25	21.5	20	17	14.5	11.5	8.5	-
	50	26	24	20.5	17	13.5	10	-
	90	31	28.5	24.5	20	15.5	11.5	-
	110	33.5	31	26.5	21.5	17	12.5	-
RA60..	50	26.5	24.5	21	17.5	14	10.5	-
RA2A.. (per pole)	25	14	13	10.5	8.5	6	4	-
	40	15.5	14	11.5	9	6.5	4.5	-
	25M	14	13	10.5	8.5	6.0	4	-
	40M	15.5	14	11.5	9	6.5	4.5	-
RS1A..	10	10	9.5	8	6.5	5	3.5	-
	25	23	21.5	18	14.5	11	7.5	-
	40	25	23	19	15	11.5	7.5	-
RS1A..E	25	13.5	13	11	9.5	8	5.5	-
	40	15	14	12	10.5	7.5	5	-
RM1A.. RM1B.. RM1C..	25	23	21.5	18	14.5	11	7.5	-
	50	25	23	19	15.0	11.5	7.5	-
	75	30	27.5	22.5	18	13.5	9	-
	100	32	29.5	24.5	19.5	14.5	9.5	-
RM1A60.. RM1B60.. RM1C60.. RM1E60..	50	25.5	23.5	20	16	12	8	-
RAM1A.. RAM1B.. RM1E..	25	23	21.5	18	14.5	11	7.5	4
	50	25	23	19	15	11.5	7.5	4
	75	30	27.5	22.5	18	13.5	9	5
	100	30	27.5	22.5	18	13.5	9	5
	125	32	29.5	24.5	19.5	14.5	9.5	5

 Thermal pad, KK071CUT

1x 1-phase SSR	Surrounding temperature							
	°C °F	20 68	30 86	40 104	50 122	60 140	70 158	80 176
RD..	1	1	1	1	1	1	1	-
	5	5	5	5	5	5	4.5	-
RA..L RA..T	10	10	10	10	10	8	5	-
	25	15.5	15	13	11	8	5	-
RA..	25	20.5	19.5	16.5	14	11	8	-
	50	25	23	19.5	16.5	13	9.5	-
	90	29	27	23	19	15	11	-
	110	31.5	29	24.5	20.5	16	11.5	-
RA60..	50	25	23.5	20	16.5	13.5	10	-
RA2A.. (per pole)	25	14	13	11	8.5	6.5	4	-
	40	15.5	14.5	12	9	7	4.5	-
	25M	14	13	11	8.5	6.5	4	-
	40M	15.5	14.5	11.5	9	7	4.5	-
RS1A..	10	10	9	8	6.5	5	3.5	-
	25	22	20	17	13.5	10.5	7	-
	40	23.5	21.5	18	14.5	10.5	7	-
RS1A..E	25	12.5	12	10.5	9	7.5	5.5	-
	40	14	13	11	9.5	8	5	-
RM1A.. RM1B.. RM1C..	25	22	20	17	13.5	10.5	7	-
	50	23.5	21.5	18	14.5	10.5	7	-
	75	27.5	25.5	21	17	12.5	8.5	-
	100	30	27.5	22.5	18	13.5	9	-
RM1A60.. RM1B60.. RM1C60.. RM1E60..	50	24	22	18.5	15	11.5	7.5	-
RAM1A.. RAM1B.. RM1E..	25	22	20	17	13.5	10.5	7	4
	50	23.5	21.5	18	14.5	10.5	7	4
	75	27.5	25.5	21	17	12.5	8.5	4.5
	100	27.5	25.5	21	17	12.5	8.5	4.5
	125	30	27.5	22.5	18	13.5	9	5



## References

### CARLO GAVAZZI compatible components

Purpose	Component name/code	Notes
Thermal pads	KK071CUT	Packing qty. 50 pcs.
Phase change thermal pad	RKHT, RFHT	Packing qty. 10 pcs.
Thermal compound	HTS02S	2ml syringe of silicone based thermal compound
Screw Kits	SRWKITM5X10MM	Packing qty. 20 pcs.

### Further reading

Information	Where to find it
Online heatsink selector tool	<a href="http://www.productselection.net/heatsink/heatsinkSelector.php?LANG=UK">http://www.productselection.net/heatsink/heatsinkSelector.php?LANG=UK</a>
Accessories	<a href="http://www.productselection.net/Pdf/UK/SSR_Accessories.pdf">http://www.productselection.net/Pdf/UK/SSR_Accessories.pdf</a>

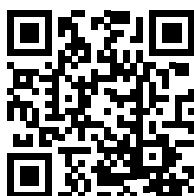
### Order code



RHS5050

Enter the code entering the corresponding option instead of

Code	Option	Description
R	-	
H	-	
S	-	
5	-	
0	-	
5	-	
0	-	
<input type="checkbox"/>	D	Suitable only for SSRs with a mounting pitch of 47.5mm such as the RA, RK, RD, RS, RM and RAM series
	RFD	Suitable only for SSRs with a mounting pitch of 30mm such as the RF1 series



COPYRIGHT ©2016  
Content subject to change. Download the PDF: [www.productselection.net](http://www.productselection.net)