



Chipsmall Limited consists of a professional team with an average of over 10 year of expertise in the distribution of electronic components. Based in Hongkong, we have already established firm and mutual-benefit business relationships with customers from,Europe,America and south Asia,supplying obsolete and hard-to-find components to meet their specific needs.

With the principle of “Quality Parts,Customers Priority,Honest Operation,and Considerate Service”,our business mainly focus on the distribution of electronic components. Line cards we deal with include Microchip,ALPS,ROHM,Xilinx,Pulse,ON,Everlight and Freescale. Main products comprise IC,Modules,Potentiometer,IC Socket,Relay,Connector.Our parts cover such applications as commercial,industrial, and automotives areas.

We are looking forward to setting up business relationship with you and hope to provide you with the best service and solution. Let us make a better world for our industry!



Contact us

Tel: +86-755-8981 8866 Fax: +86-755-8427 6832

Email & Skype: info@chipsmall.com Web: www.chipsmall.com

Address: A1208, Overseas Decoration Building, #122 Zhenhua RD., Futian, Shenzhen, China



L Series



**UL Recognized
CSA Certified**

Inductive filtering in a direct retrofit to standard unfiltered RJ11, RJ45, or handset jacks. Offered with standard ferrite sleeve inductors or higher performance ferrite blocks, the L series is available with or without a shield.

Ganged version of our L series filtered jacks. Available in RJ11 models with block inductors in gangs of 2, 4, or 6. Retrofits existing unfiltered ganged jack footprints.

Specifications

Contacts

Material:	Phosphor bronze
Plating:	50 microinches gold
Barrier underplating:	100 microinches nickel
Resistance:	
Initial:	20 milliohms maximum
After durability testing (500 mating cycles):	30 milliohms maximum

Ferrites

Type:	High resistivity, nickel zinc ceramic
Sleeves:	Single-aperture cylinders
Block:	Multi-aperture rectangular prism

Shield Material

Solder-plated copper alloy

Housing Material

Glass-filled polyester (UL94V-O)

Dielectric Withstanding Voltage

Line-to-line and line-to-ground	1000 VAC for 60 seconds
---------------------------------	----------------------------

Printed Circuit Board Retention

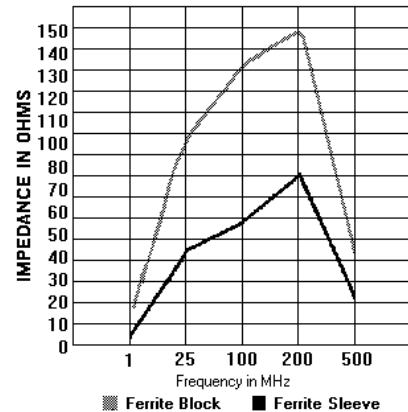
Before soldering:	1 lb. minimum
After soldering:	20 lb. minimum



L Series Ganged Version

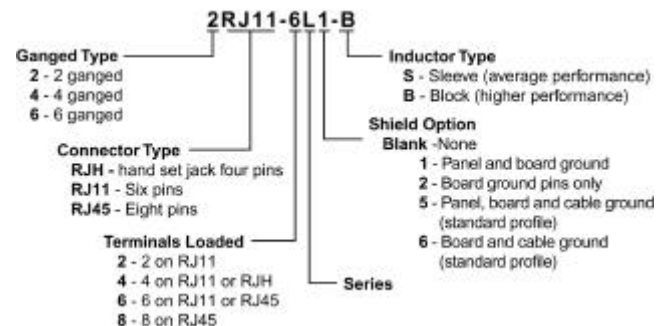


Typical Impedance in Ohms



Ordering Information

Consult your local Corcom sales representative for pricing.

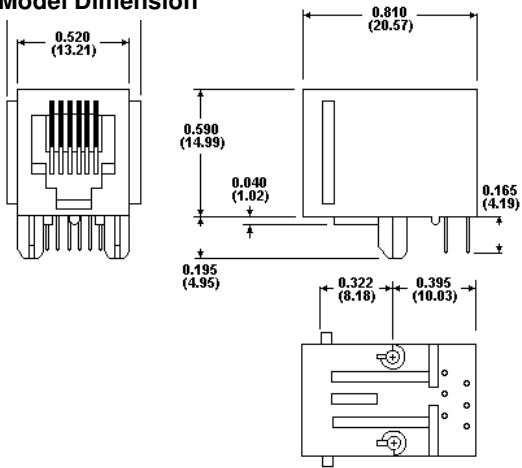


Available Part Numbers

RJ11-2L-B	RJ45-6L-S	2RJ11-6L-B
RJ11-2L-S	RJ45-6L-B	4RJ11-6L-B
RJ11-2L2-B	RJ45-6L1-S	6RJ11-6L-B
RJ11-4L-B	RJ45-6L1-B	
RJ11-4L-S	RJ45-6L2-S	
RJ11-4L1-S	RJ45-6L2-B	
RJ11-4L1-B	RJ45-8L-S	
RJ11-4L2-S	RJ45-8L-B	
RJ11-4L2-B	RJ45-8L1-S	
RJ11-6L-B	RJ45-8L1-B	
RJ11-6L-S	RJ45-8L2-S	
RJ11-6L1-S	RJ45-8L2-B	
RJ11-6L1-B		
RJ11-6L2-S		
RJ11-6L2-B		

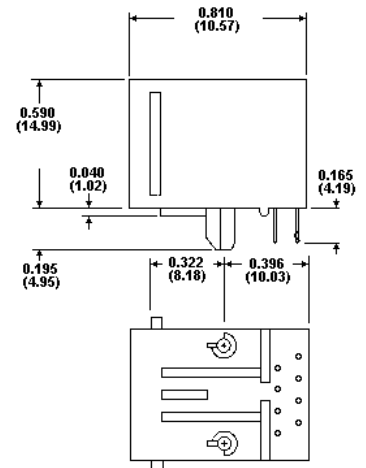
RJ11 (No Shield)

Model Dimension



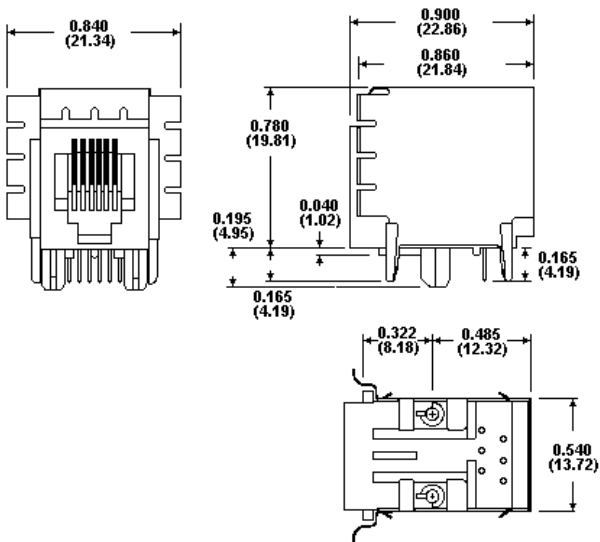
RJ45 (No Shield)

Model Dimension



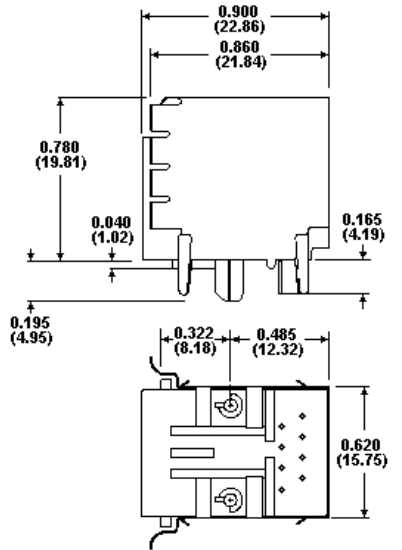
RJ11 (Style 1 Shield)

Model Dimension



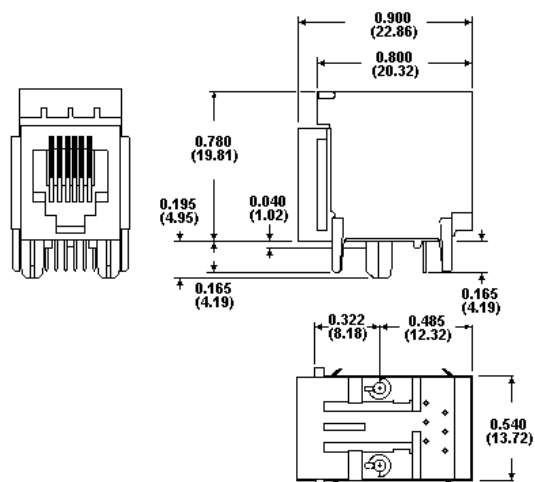
RJ45 (Style 1 Shield)

Model Dimension



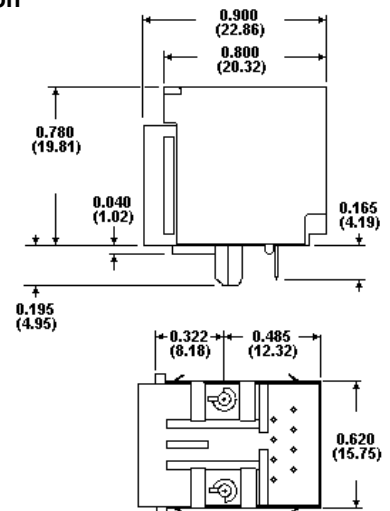
RJ11 (Style 2 Shield)

Model Dimension



RJ45 (Style 2 Shield)

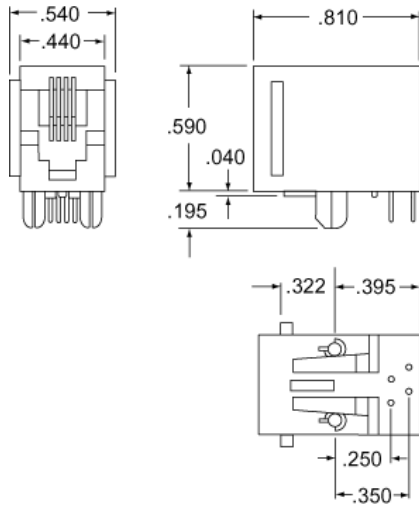
Model Dimension



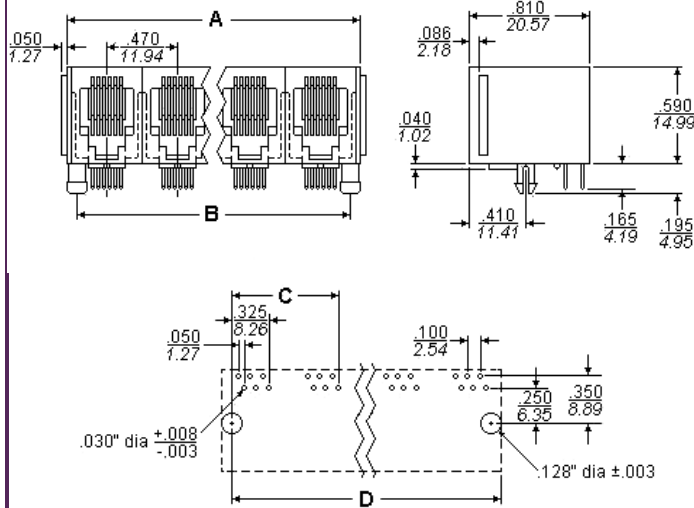
L Series

RJH (No Shield)

Model Dimension



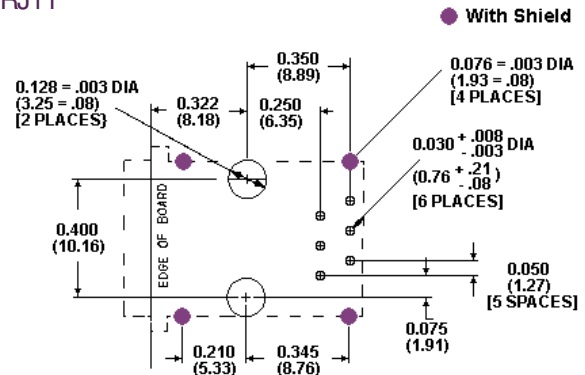
Model Dimensions and PC Board Layout



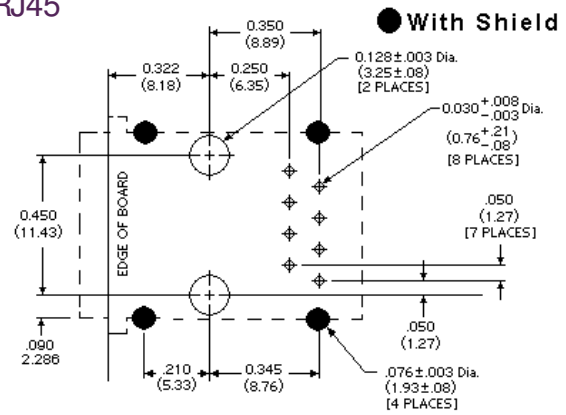
Ports	A	B	C	D
2	$\frac{.99}{25.15}$	$\frac{.87}{22.1}$	$\frac{.795}{20.19}$	$\frac{.87}{22.1}$
4	$\frac{1.93}{49.02}$	$\frac{1.81}{45.97}$	$\frac{1.735}{44.07}$	$\frac{1.81}{45.97}$
6	$\frac{2.87}{72.9}$	$\frac{2.75}{69.85}$	$\frac{2.675}{67.95}$	$\frac{2.75}{69.85}$

PC Board Layouts

RJ11



RJ45



RJH

