



Chipsmall Limited consists of a professional team with an average of over 10 year of expertise in the distribution of electronic components. Based in Hongkong, we have already established firm and mutual-benefit business relationships with customers from,Europe,America and south Asia,supplying obsolete and hard-to-find components to meet their specific needs.

With the principle of “Quality Parts,Customers Priority,Honest Operation,and Considerate Service”,our business mainly focus on the distribution of electronic components. Line cards we deal with include Microchip,ALPS,ROHM,Xilinx,Pulse,ON,Everlight and Freescale. Main products comprise IC,Modules,Potentiometer,IC Socket,Relay,Connector.Our parts cover such applications as commercial,industrial, and automotives areas.

We are looking forward to setting up business relationship with you and hope to provide you with the best service and solution. Let us make a better world for our industry!



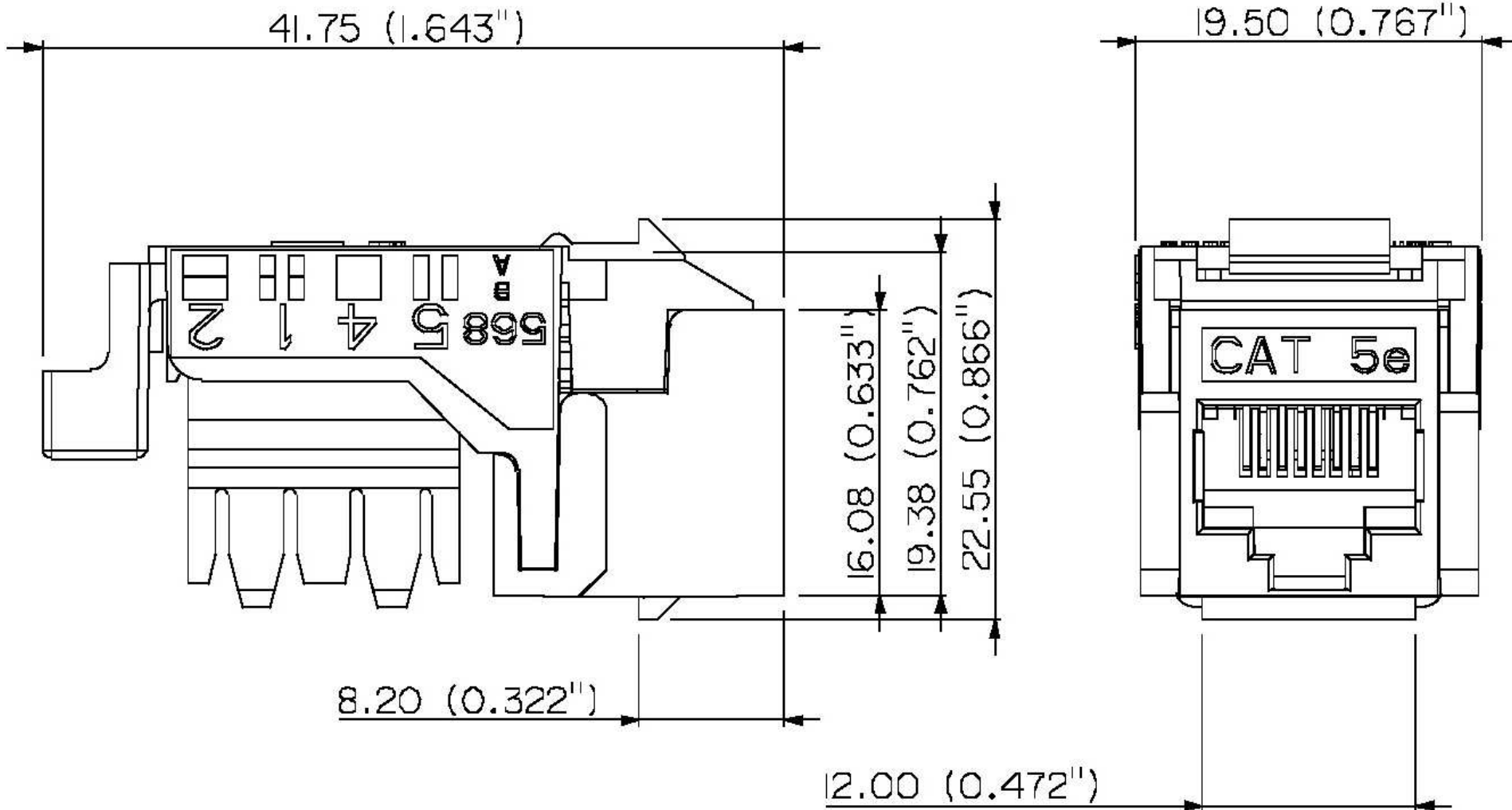
Contact us

Tel: +86-755-8981 8866 Fax: +86-755-8427 6832

Email & Skype: info@chipsmall.com Web: www.chipsmall.com

Address: A1208, Overseas Decoration Building, #122 Zhenhua RD., Futian, Shenzhen, China





PRODUCT CODE DESCRIPTION

RJ45FC5E-

COLOR
(CONSULT FACTORY FOR AVAILABLE COLORS)

INVENTORS

HellermannTyton[®]

A SPIRENT Company

ALL PROPRIETARY RIGHTS IN THE SUBJECT MATTER SHOWN ON THIS DRAWING ARE EXCLUSIVE PROPERTY OF HELLERMANN TYTON

name	date	city, state

REVISION

DRAWING level	01
AW by	KAC
ING date	11/14/03
G ECN #	-
part level	-

DIMENSIONS

TOLERANCES
 .xxxx = ±.02/±(.0010)
 .xxx = ±.25/±(.010)
 .xx = ±.5/±(.02)
 .x = ±2.5/±(.1)
 ∠ = ±0.5°
 unless otherwise specified
 units mm / (inches)

PART

number	RJ45FC5E-	phase	PRODUCTION
name			
CATEGORY 5e FLUSH MOUNT KEYSTONE JACK			
material			
N/A			

DRAWING

format	version N	AH	CAD	SW	scale	NTS
computer file number		XMI-RWD019CST_01		previous number		
drawn	K.A.C.	checked		approved		
	11/14/03					
type	CUSTOMER			sheet 1 of 1		
number	XMI-RWD019CST					