



Chipsmall Limited consists of a professional team with an average of over 10 year of expertise in the distribution of electronic components. Based in Hongkong, we have already established firm and mutual-benefit business relationships with customers from,Europe,America and south Asia,supplying obsolete and hard-to-find components to meet their specific needs.

With the principle of “Quality Parts,Customers Priority,Honest Operation,and Considerate Service”,our business mainly focus on the distribution of electronic components. Line cards we deal with include Microchip,ALPS,ROHM,Xilinx,Pulse,ON,Everlight and Freescale. Main products comprise IC,Modules,Potentiometer,IC Socket,Relay,Connector.Our parts cover such applications as commercial,industrial, and automotives areas.

We are looking forward to setting up business relationship with you and hope to provide you with the best service and solution. Let us make a better world for our industry!



Contact us

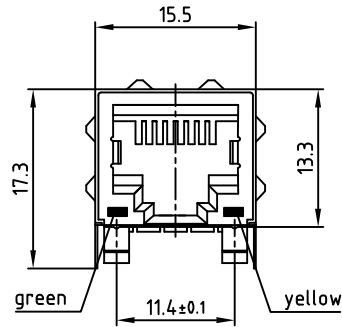
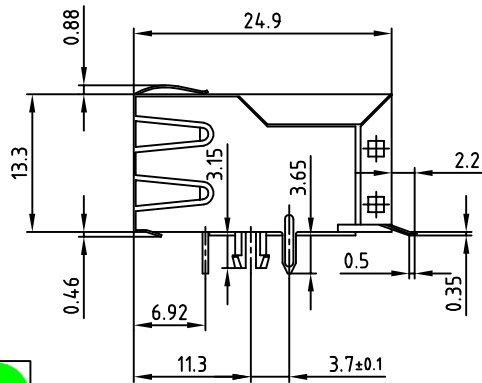
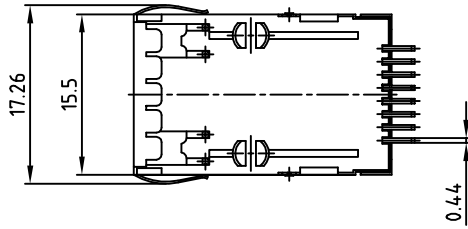
Tel: +86-755-8981 8866 Fax: +86-755-8427 6832

Email & Skype: info@chipsmall.com Web: www.chipsmall.com

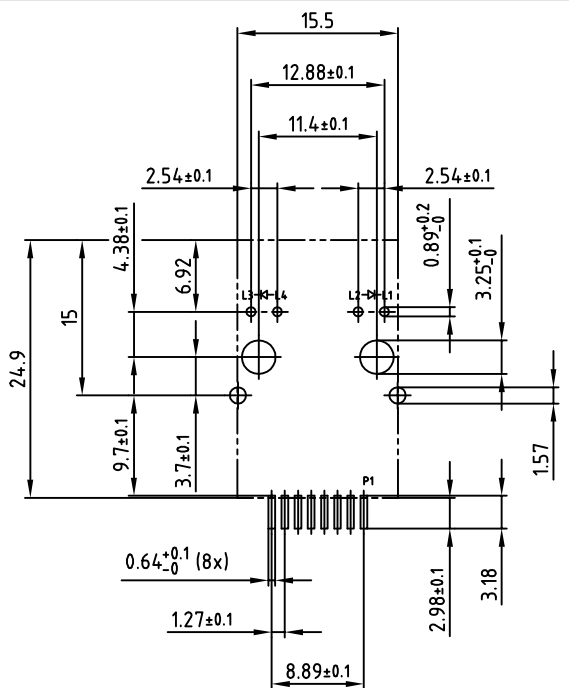
Address: A1208, Overseas Decoration Building, #122 Zhenhua RD., Futian, Shenzhen, China



used for: RJ 45



Directive 2002/95/EC
"RoHS"
Compliant



P.C.B. HOLE DRILLINGS

NOTES:

1. HOUSING MATERIAL: GLASS FILLED NYLON 46, BLACK
2. SHIELD MATERIAL: 0.2mm THICK COPPER ALLOY
3. CONTACT MATERIAL: 0.35mm THICK COPPER ALLOY
4. MATING AREA PLATING: min. 50µ" GOLD over min. 30µ" NICKEL
5. SOLDER TAILS PLATING: min. 90µ" TIN/LEAD over min. 30µ" NICKEL
6. LED: GREEN AND YELLOW
7. INTERNAL CIRCUIT PER PORT SEE 39K1A041

APPROVAL # FREIGABE # DEBLOCAGE # AUTORIZACION # APPROVAL	APPROVAL # FREIGABE # DEBLOCAGE # AUTORIZACION # APPROVAL
CUSTOMER APPROVAL DATE:	
NAME:	TITLE:
COMPANY NAME:	
APPROVAL # FREIGABE # DEBLOCAGE # AUTORIZACION # APPROVAL	APPROVAL # FREIGABE # DEBLOCAGE # AUTORIZACION # APPROVAL

THIS DRAWING MAY NOT BE COPIED OR REPRODUCED IN ANY WAY, AND MAY NOT BE PASSED ON TO A THIRD PARTY, WITHOUT WRITTEN PERMISSION. OWNERSHIP AND COPYRIGHT OF CONEC GmbH DO NOT ALTER CAD DRAWING BY HAND

rev.	description	date	name

tolerance		scale:	2:1
dim. in mm		material:	SEE NOTES
2002	date	name	title:
drawn	27.11.	Parei	RJ 45 MAGNETIC MODULAR JACK
appd.	27.11.	Kühle	1. PORT SMT-TERMINATION
norm			fully screened, with LED
d-old			dwg no: AutoCAD 2000 DIN-A
			39K1A049
			part no: RJ45SJS11AC010X

dwg no:	AutoCAD 2000	DIN-A
	3	sh: 1/1
part no:	RJ45SJS11AC010X	