



Chipsmall Limited consists of a professional team with an average of over 10 year of expertise in the distribution of electronic components. Based in Hongkong, we have already established firm and mutual-benefit business relationships with customers from,Europe,America and south Asia,supplying obsolete and hard-to-find components to meet their specific needs.

With the principle of “Quality Parts,Customers Priority,Honest Operation,and Considerate Service”,our business mainly focus on the distribution of electronic components. Line cards we deal with include Microchip,ALPS,ROHM,Xilinx,Pulse,ON,Everlight and Freescale. Main products comprise IC,Modules,Potentiometer,IC Socket,Relay,Connector.Our parts cover such applications as commercial,industrial, and automotives areas.

We are looking forward to setting up business relationship with you and hope to provide you with the best service and solution. Let us make a better world for our industry!



Contact us

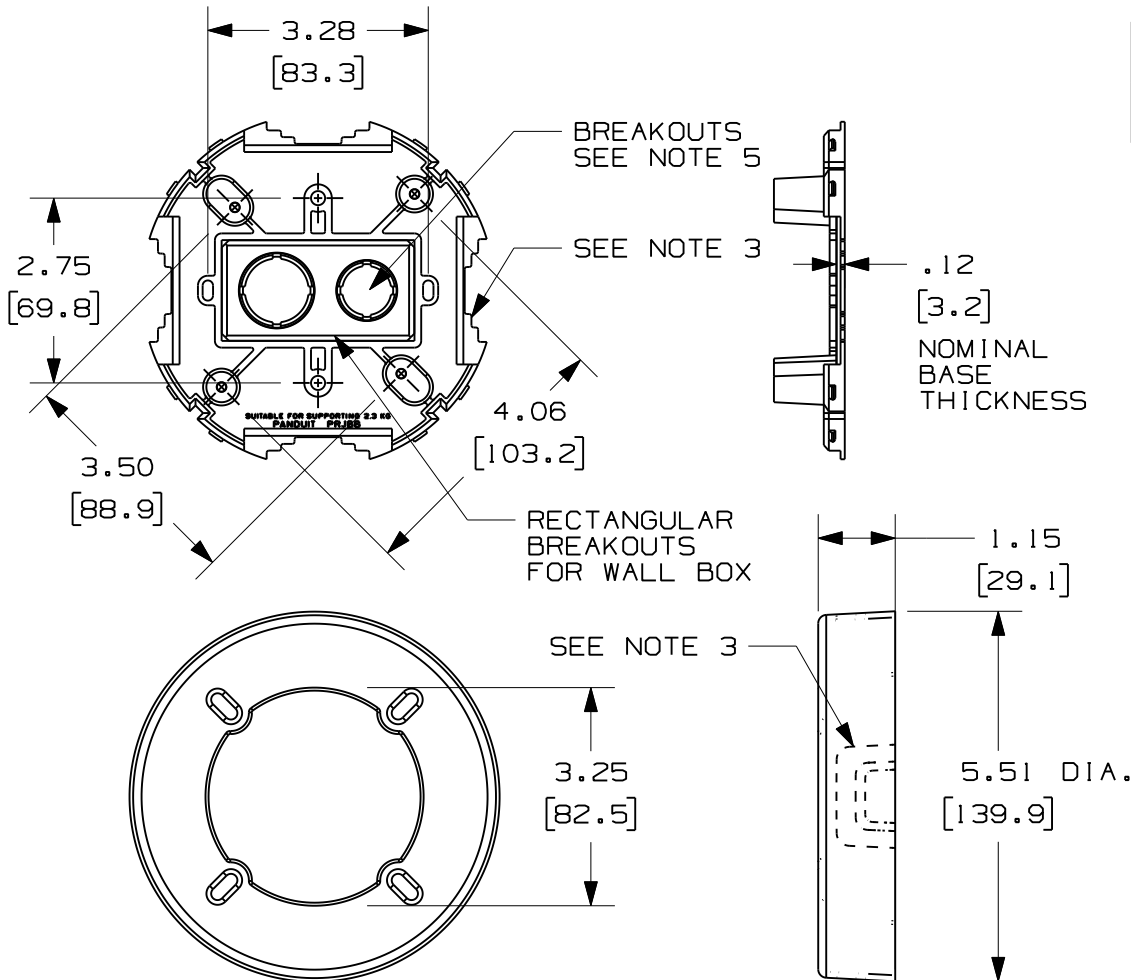
Tel: +86-755-8981 8866 Fax: +86-755-8427 6832

Email & Skype: info@chipsmall.com Web: www.chipsmall.com

Address: A1208, Overseas Decoration Building, #122 Zhenhua RD., Futian, Shenzhen, China



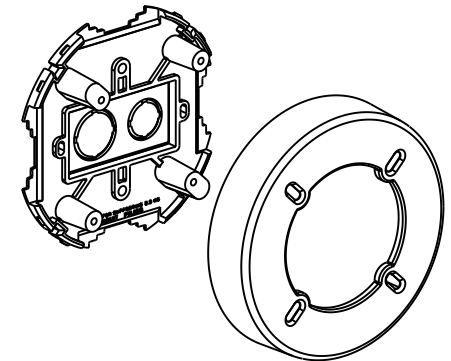
THIS COPY IS PROVIDED ON A RESTRICTED BASIS AND IS NOT TO BE USED IN ANY WAY DETRIMENTAL TO THE INTERESTS OF PANDUIT CORP.



PANDUIT PART NUMBER	WEIGHT	VOLUME CU. IN./CC
RJBX3510	0.26 LB/PC. (118g/PC.)	20.0 (327)

NOTES:

1. SEE CURRENT CATALOG FOR ADDITIONAL PART NUMBER SUFFIXES TO INDICATE COLOR AND OR PACKAGE QUANTITY.
2. THIS BOX IS INTENDED TO BE USED WITH LDS, LDPH AND LD RACEWAYS.
3. DIMENSIONS IN PARENTHESIS ARE METRIC.
4. BREAKOUTS TO ACCOMODATE CONDUIT SIZES OF 3/4" AND 1" DIAMETERS.



CAD FILENAME/LAYERS D37144BC_DC_RJBX3510_00C.prt

PANDUIT CORP. TINLEY PARK, ILLINOIS
 ROUND JUNCTION BOX
 (RJBX3510)
 CUSTOMER DRAWING

UNLESS OTHERWISE SPECIFIED,
 DIMENSIONAL TOLERANCES ARE:
 (.X) ± (.XXX) ±
 (.XX) ±.03 (.8) ANGLES ±

UNLESS OTHERWISE SPECIFIED,
 ALL DIMENSIONS ARE GIVEN
 IN INCHES, THIRD ANGLE PROJECTION.

REV	DATE	BY	CHK	DESCRIPTION	ECN	R	CUST	SUP
2	12-11-09	BDK	RMH	B. REVISED AND REDRAWN	37144-04	RMH	RTF	
1	06-13-00	JHNU	HIW	A. REVISED MAT'L: ADDED PVC.	37144-04	HIW	HIW	
R	01-25-00	MSO	HIW	RELEASED TO PRODUCTION	37144-04	HIW	HIW	

DRAWN BY
MSO
 DATE
01-25-00
 CHK'D
HIW

MAT'L:
PVC

SCALE
NONE
 DRAWING NO.
37144-04
 DWG
A
 SIZE