



Chipsmall Limited consists of a professional team with an average of over 10 year of expertise in the distribution of electronic components. Based in Hongkong, we have already established firm and mutual-benefit business relationships with customers from,Europe,America and south Asia,supplying obsolete and hard-to-find components to meet their specific needs.

With the principle of “Quality Parts,Customers Priority,Honest Operation,and Considerate Service”,our business mainly focus on the distribution of electronic components. Line cards we deal with include Microchip,ALPS,ROHM,Xilinx,Pulse,ON,Everlight and Freescale. Main products comprise IC,Modules,Potentiometer,IC Socket,Relay,Connector.Our parts cover such applications as commercial,industrial, and automotives areas.

We are looking forward to setting up business relationship with you and hope to provide you with the best service and solution. Let us make a better world for our industry!



## Contact us

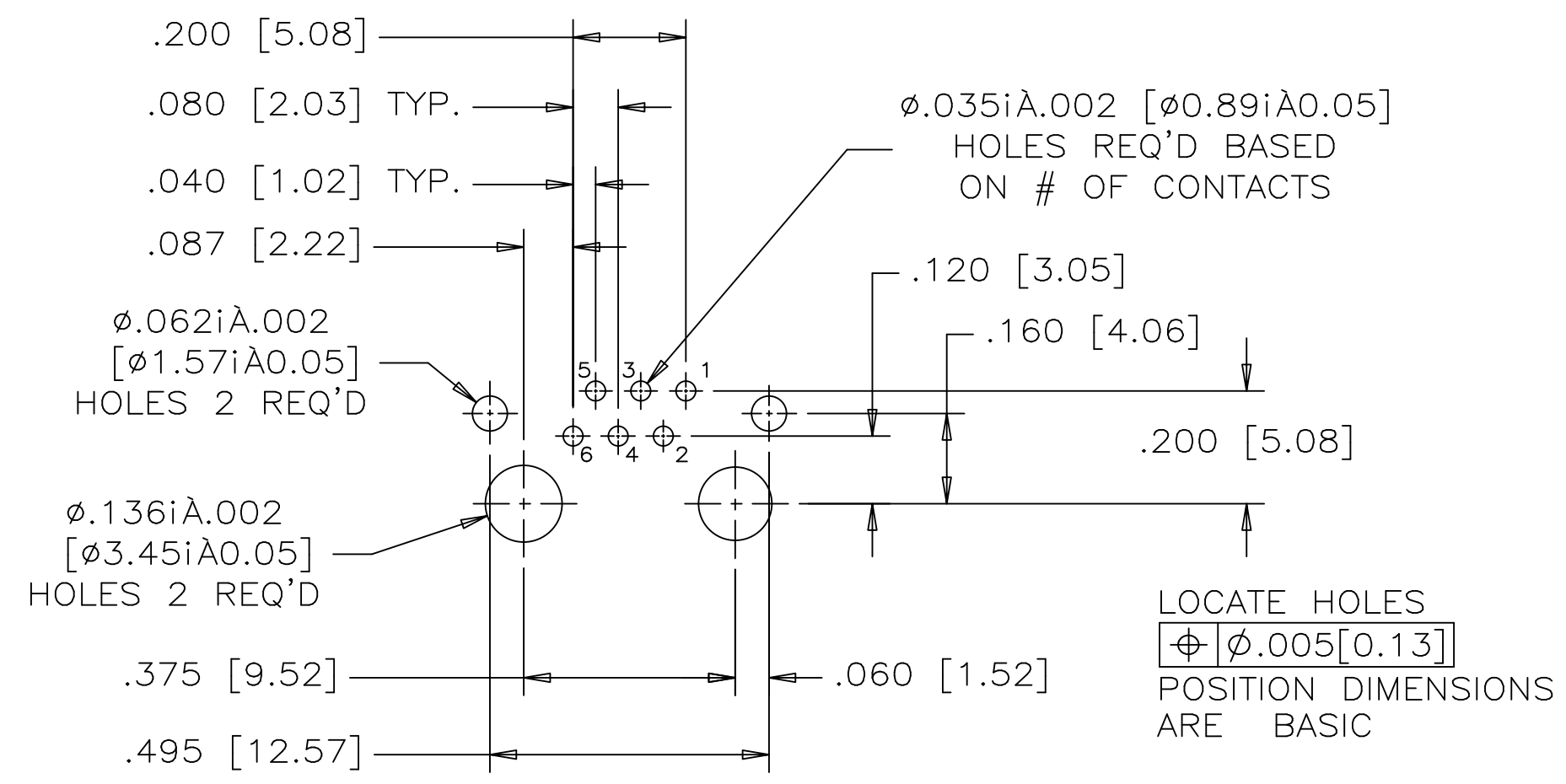
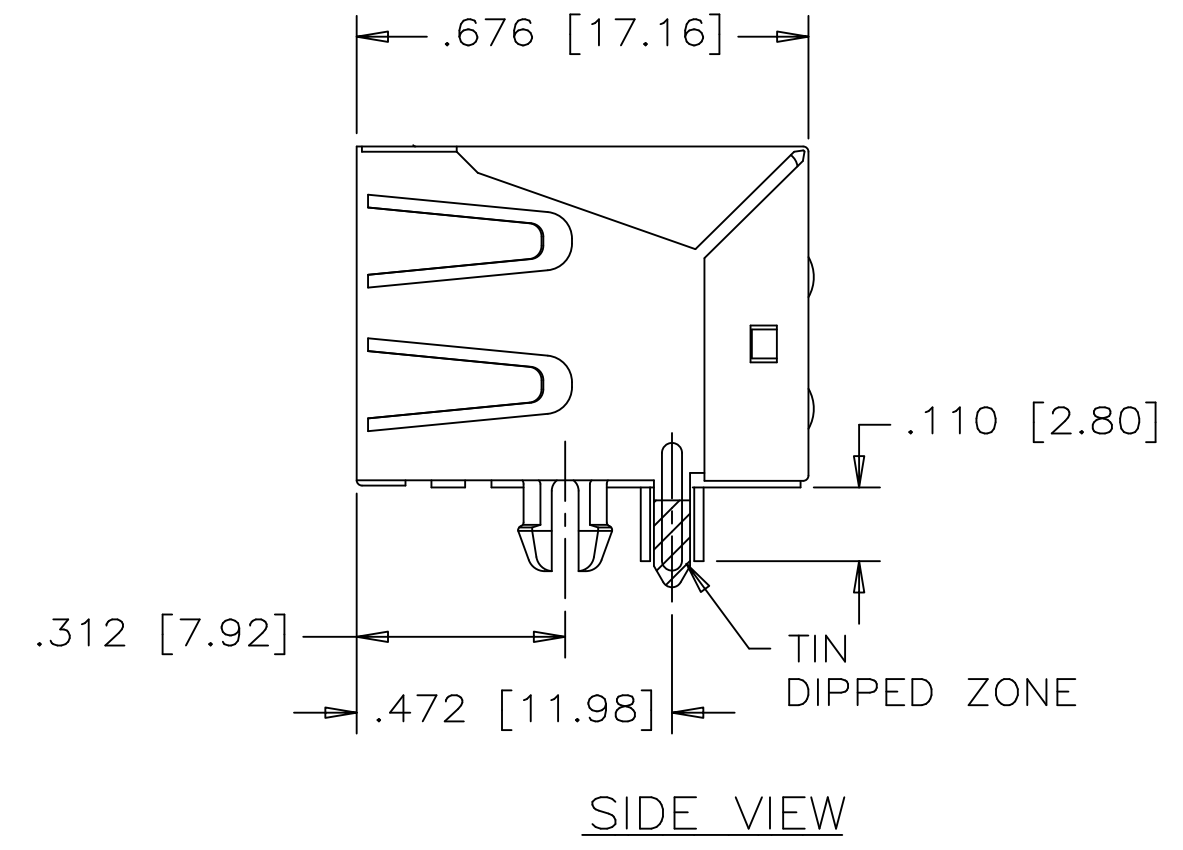
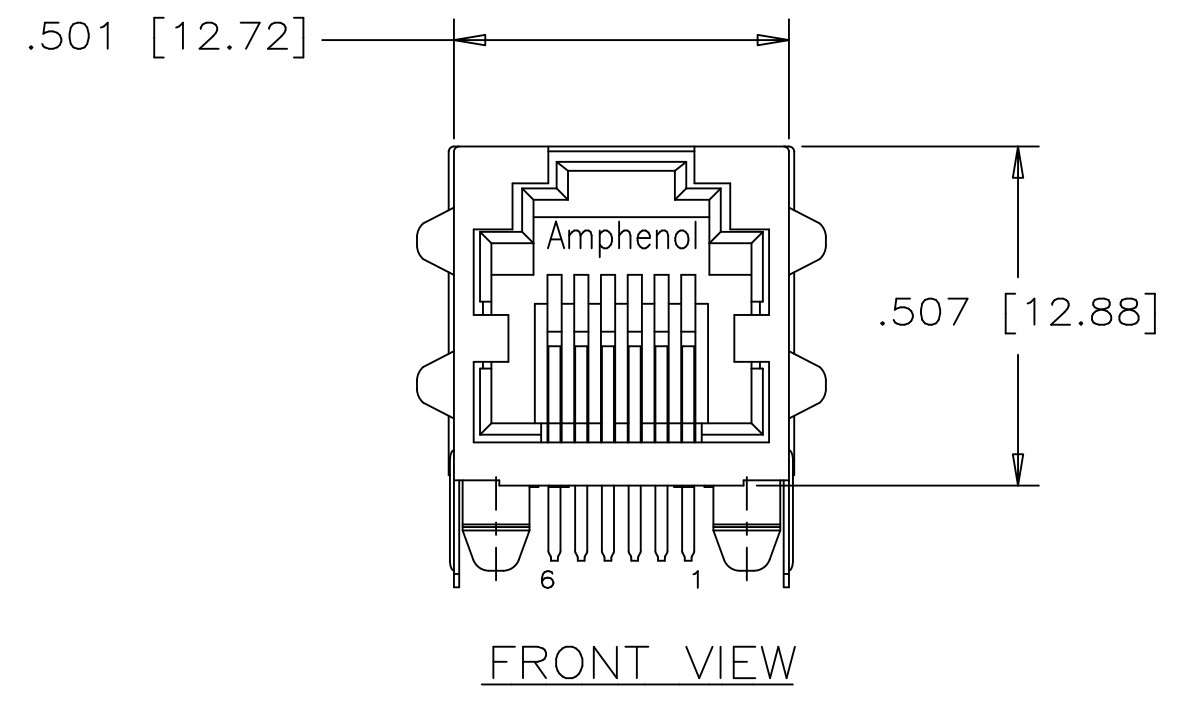
Tel: +86-755-8981 8866 Fax: +86-755-8427 6832

Email & Skype: info@chipsmall.com Web: www.chipsmall.com

Address: A1208, Overseas Decoration Building, #122 Zhenhua RD., Futian, Shenzhen, China



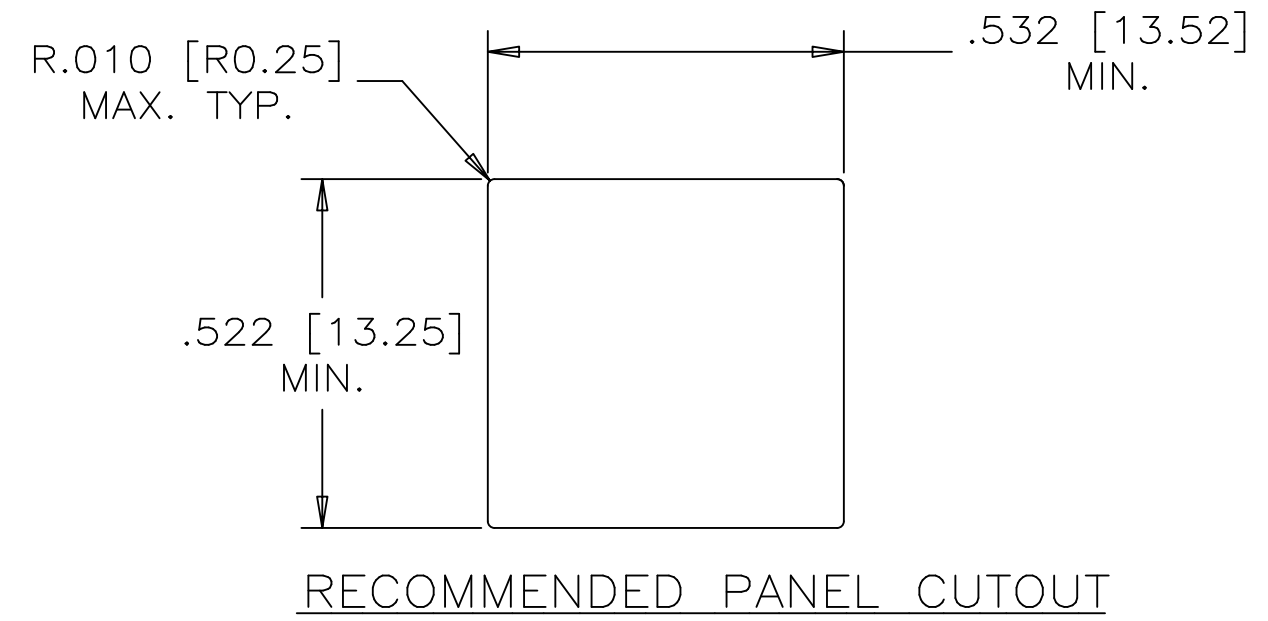
REVISIONS				
SYM	ZONE	ECN, ERN NO.	DATE	APPRD.
A		PROPOSAL	OCT.25/04	K.L.
B		PROPOSAL	MAR.29/06	L.CHAN
C		PROPOSAL	DEC.29/09	L.CHAN
D		ADD OPERATING TEMPERATURE	MAY30/13	L.CHAN



- MATERIALS:**  
**HOUSING:** HIGH TEMPERATURE ENGINEERING THERMOPLASTIC FLAMMABILITY RATING UL 94V-0, BLACK  
  
**CONTACTS:** PHOSPHOR BRONZE  
 PLATING: 50 μ" [1.27 MICRONS] MIN. GOLD ON MATING SURFACES.  
 50 μ" [1.27 MICRONS] MIN. NICKEL UNDERPLATE  
 100 μ" [2.54 MICRONS] MIN. MATTE TIN ON CONTACT TAILS.  
  
**SHIELD:** COPPER ALLOY  
 PLATING: NICKEL WITH TIN DIPPED PCB TAILS.
- ENVIRONMENTAL:**  
 OPERATING TEMPERATURE: -55°C to 85 °C
- RECOMMENDED SOLDERING TEMPERATURE:**  
 WAVE SOLDERING OR REFLOW SOLDERING AT 260°C MAXIMUM FOR 5 SEC MAXIMUM.

PART NUMBER: RJE01-6X2-01

- CONTACTS:**  
 2 = 2 CONTACTS LOADED IN POSITION 3 & 4.  
 4 = 4 CONTACTS LOADED IN POSITION 2 TO 5.  
 6 = 6 CONTACTS LOADED IN POSITION 1 TO 6.



DRAWN	L.CHAN	DATE	OCT.25/04
DESIGNED			
CHECKED	K.LAMBIE	DATE	OCT.25/04
I. E. APPRD.			
Q. A. APPRD.			
DWG. APPRD.			
ENG. REL. NO.			
REF. EAR:	RJ13076		
DIMENSIONS ARE IN	CODE ID. NO.		
INCHES [mm]	03554		

Amphenol Canada Corp.			
TITLE HIGH SPEED MODULAR JACK, SINGLE PORT, EMI QUIET, 6 POSITION, SHIELDED WITH SIDE TABS- RoHS COMPLIANT			
DWG	DRAWING NO.	REV.	
	P-RJE01-6X2-01	D	
SCALE	WT. -----	SURF. -----	SHEET 1 OF 1

THIS DOCUMENT CONTAINS PROPRIETARY INFORMATION AND SUCH INFORMATION MAY NOT BE DISCLOSED TO OTHERS FOR ANY PURPOSE OR USED FOR MANUFACTURING PURPOSES WITHOUT WRITTEN PERMISSION FROM AMPHENOL CANADA CORP.