



Chipsmall Limited consists of a professional team with an average of over 10 year of expertise in the distribution of electronic components. Based in Hongkong, we have already established firm and mutual-benefit business relationships with customers from,Europe,America and south Asia,supplying obsolete and hard-to-find components to meet their specific needs.

With the principle of “Quality Parts,Customers Priority,Honest Operation,and Considerate Service”,our business mainly focus on the distribution of electronic components. Line cards we deal with include Microchip,ALPS,ROHM,Xilinx,Pulse,ON,Everlight and Freescale. Main products comprise IC,Modules,Potentiometer,IC Socket,Relay,Connector.Our parts cover such applications as commercial,industrial, and automotives areas.

We are looking forward to setting up business relationship with you and hope to provide you with the best service and solution. Let us make a better world for our industry!



## Contact us

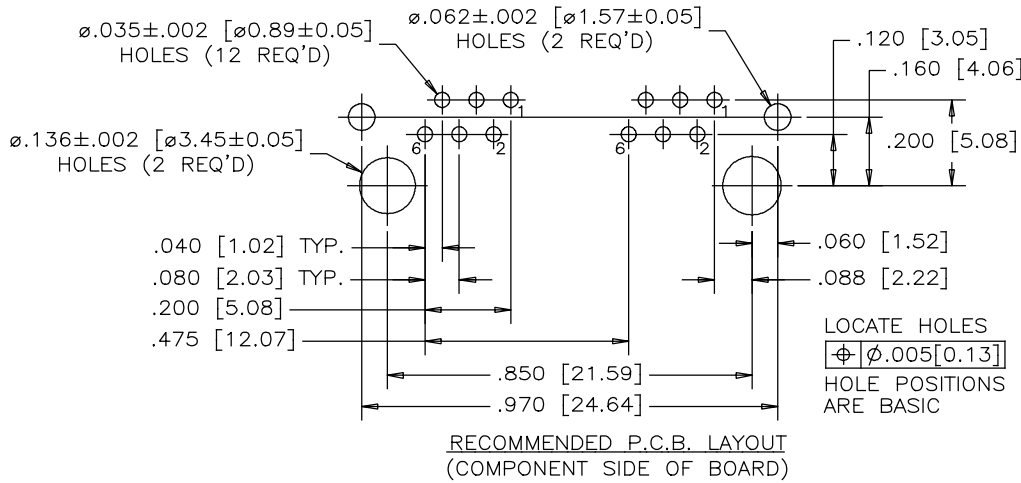
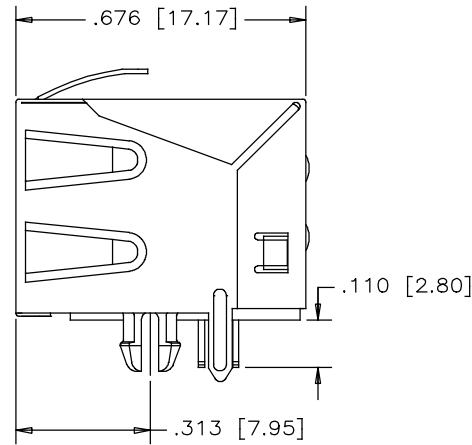
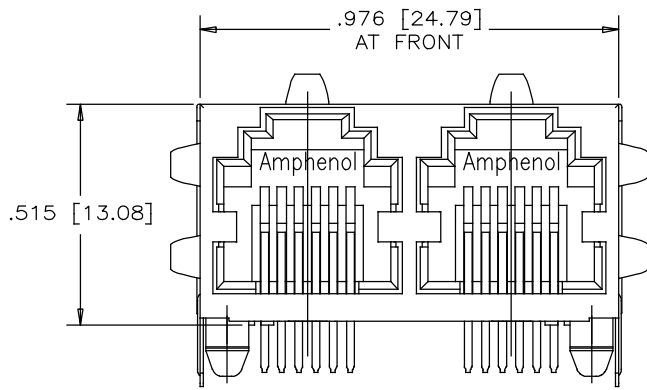
Tel: +86-755-8981 8866 Fax: +86-755-8427 6832

Email & Skype: info@chipsmall.com Web: www.chipsmall.com

Address: A1208, Overseas Decoration Building, #122 Zhenhua RD., Futian, Shenzhen, China



REVISIONS			
REV	DESCRIPTION, ECN, EAR NO.	DATE	APP'D
A	PROPOSAL DRAWING	OCT08/14	L.CHAN
B	PROPOSAL DRAWING	FEB04/16	L.CHAN
C	PROPOSAL DRAWING	APR05/16	L.CHAN



**MATERIALS:**

PLASTIC HOUSING: HIGH TEMPERATURE RESISTANT NYLON  
 UL FLAMMABILITY RATING 94V-0.  
 SOLDER REFLOW PROCESS COMPATIBLE.

CONTACTS: PHOSPHOR BRONZE

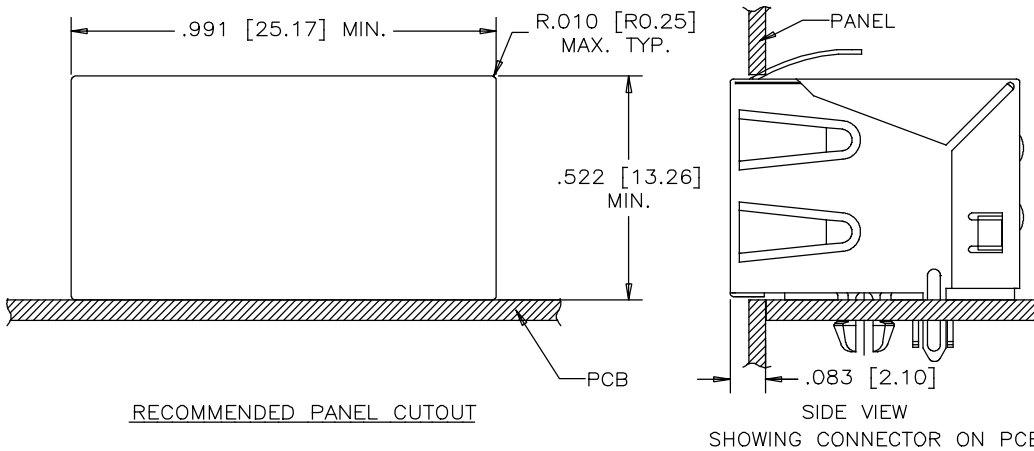
CONTACT PLATING: GOLD PLATED ON MATING SURFACES.  
 (SEE PART NO. FOR THICKNESS).  
 50 MICROINCHES [1.27 MICRONS] MIN.  
 NICKEL UNDERPLATE  
 100 MICROINCHES [2.54 MICRONS] MIN.  
 MATTE TIN ON CONTACT TAILS.

SHIELD: COPPER ALLOY; NICKEL PLATED WITH TIN DIPPED  
 PCB TAILS.

RECOMMENDED SOLDERING TEMPERATURE:  
 WAVE SOLDERING OR REFLOW SOLDERING AT 260°C  
 MAXIMUM FOR 5 SEC MAXIMUM.

AMPHENOL PART NUMBER: RJE01-X62-02

GOLD PLATING:  
 1=RJ45 CONTACT 6u"  
 G=RJ45 CONTACT 15u"  
 J=RJ45 CONTACT 30u"  
 6=RJ45 CONTACT 50u"



THIS DOCUMENT CONTAINS PROPRIETARY INFORMATION AND SUCH INFORMATION MAY NOT BE DISCLOSED TO OTHERS FOR ANY PURPOSE OR USED FOR MANUFACTURING PURPOSES WITHOUT WRITTEN PERMISSION FROM AMPHENOL CANADA CORP.

UNLESS SPECIFIED OTHERWISE	DRAWN	F.WANG	OCT08/14
PRIMARY UNITS INCHES	CHECKED	L.Chan	OCT08/14
SECONDARY MILLIMETERS	M.E. APP'D		
REFERENCE IN PARENTHESES	Q.A. APP'D		
GENERAL TOLERANCES FOR MM	DWG APP'D		
1 DECIMAL PLACE ±0.025	ENG. REL. NO.		
2 DECIMAL PLACE ±0.020	REF.		
3 DECIMAL PLACE ±0.015	THIRD ANGLE PROJECTION		
ANGULAR DEGREES ±1.5°	DO NOT SCALE DRAWING		

Amphenol Canada Corp. www.amphenolcanada.com			
HIGH SPEED MODULAR JACK, 2 PORT, 6 POSITION, 6 CONTACTS, SHIELD WITH PCB TAILS—RoHS COMPLIANT			
DWG NO.	P-RJE01-X62-02		REV C
CODE ID NO. 03554	DWG SIZE: C	SCALE: N/A	SHEET 1 OF 1