



Chipsmall Limited consists of a professional team with an average of over 10 year of expertise in the distribution of electronic components. Based in Hongkong, we have already established firm and mutual-benefit business relationships with customers from,Europe,America and south Asia,supplying obsolete and hard-to-find components to meet their specific needs.

With the principle of “Quality Parts,Customers Priority,Honest Operation,and Considerate Service”,our business mainly focus on the distribution of electronic components. Line cards we deal with include Microchip,ALPS,ROHM,Xilinx,Pulse,ON,Everlight and Freescale. Main products comprise IC,Modules,Potentiometer,IC Socket,Relay,Connector.Our parts cover such applications as commercial,industrial, and automotives areas.

We are looking forward to setting up business relationship with you and hope to provide you with the best service and solution. Let us make a better world for our industry!



## Contact us

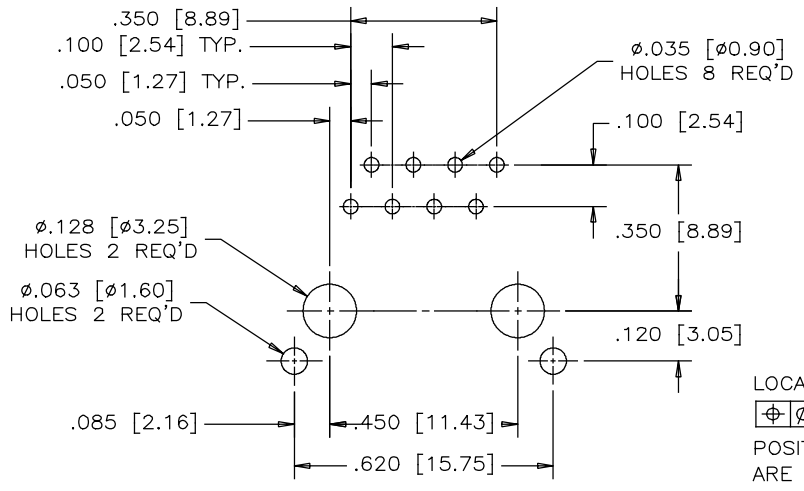
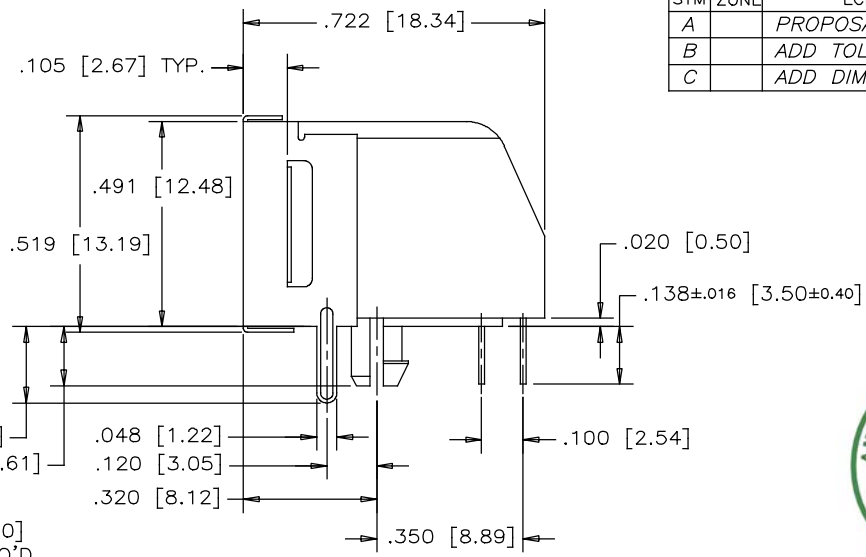
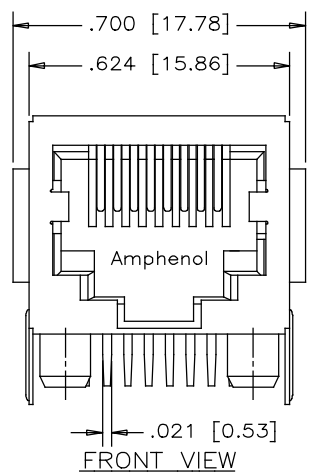
Tel: +86-755-8981 8866 Fax: +86-755-8427 6832

Email & Skype: info@chipsmall.com Web: www.chipsmall.com

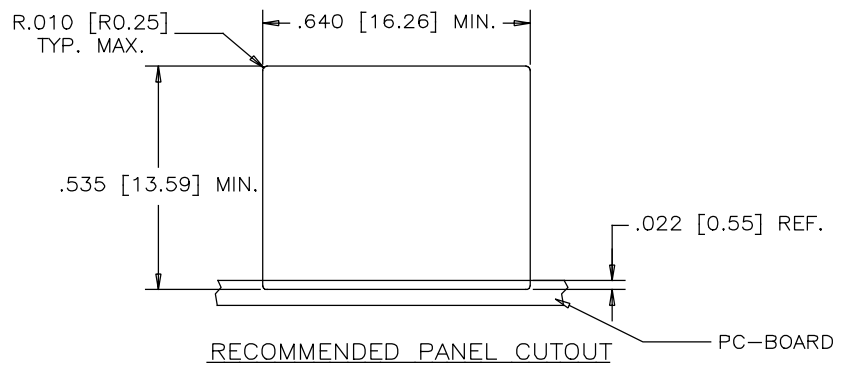
Address: A1208, Overseas Decoration Building, #122 Zhenhua RD., Futian, Shenzhen, China



REVISIONS				
SYM	ZONE	ECN, ERN NO.	DATE	APPRD.
A		PROPOSAL	05/04/07	L.CHAN
B		ADD TOLERANCE.	JAN25/13	L.CHAN
C		ADD DIM.	APR15/13	L.CHAN



RECOMMENDED P.C.B. LAYOUT  
(COMPONENT SIDE OF BOARD)



RECOMMENDED PANEL CUTOUT

LOCATE HOLES  
 $\phi \pm \phi.005 [0.13]$   
 POSITION DIMENSIONS  
 ARE BASIC

SIDE VIEW

MATERIALS:

PLASTIC HOUSING: ENGINEERING THERMOPLASTIC  
 FLAMMABILITY RATING UL94V-0

CONTACTS:

PHOSPHOR BRONZE  
 PLATING: REFER TO PART NUMBER FOR GOLD  
 THICKNESS ON MATING SURFACES.  
 50 μ" [1.27 MICRONS]  
 MIN. NICKEL UNDERPLATE.  
 100 μ" [2.54 MICRONS]  
 MIN. MATTE TIN ON CONTACT TAILS.

SHIELD:

COPPER ALLOY, NICKEL PLATED

UNLESS OTHERWISE SPECIFIED TOLERANCES ARE:  
 $\pm 0.015 [\pm 0.38MM]$ .

AMPHENOL PART NUMBER: RJE03-188-2X20

- 1 = 06 μ" GOLD
- 2 = 15 μ" GOLD
- 3 = 30 μ" GOLD
- 4 = 50 μ" GOLD

DRAWN PAUL WANG	DATE 05/04/07
DESIGNED	
CHECKED	
I. E. APPRD.	
Q. A. APPRD.	
DWG. APPRD.	
ENG. REL. NO.	
REF. EAR# 12704	
DIMENSIONS ARE IN INCHES [mm]	CODE ID. NO. 03554

Amphenol Canada Corp.	
TITLE MODULAR JACK, PARTIAL SHIELD 8 POSITION, 8 CONTACTS, WITH SIDE FLANGES - RoHS COMPLIANT	
DWG	DRAWING NO. P-RJE03-188-2X20
REV.	C
SCALE	WT. _____ SURF. _____ SHEET 1 OF 1

THIS DOCUMENT CONTAINS PROPRIETARY INFORMATION AND SUCH INFORMATION  
 MAY NOT BE DISCLOSED TO OTHERS FOR ANY PURPOSE OR USED FOR MANUFACTURING  
 PURPOSES WITHOUT WRITTEN PERMISSION FROM AMPHENOL CANADA CORP.