



Chipsmall Limited consists of a professional team with an average of over 10 year of expertise in the distribution of electronic components. Based in Hongkong, we have already established firm and mutual-benefit business relationships with customers from,Europe,America and south Asia,supplying obsolete and hard-to-find components to meet their specific needs.

With the principle of “Quality Parts,Customers Priority,Honest Operation,and Considerate Service”,our business mainly focus on the distribution of electronic components. Line cards we deal with include Microchip,ALPS,ROHM,Xilinx,Pulse,ON,Everlight and Freescale. Main products comprise IC,Modules,Potentiometer,IC Socket,Relay,Connector.Our parts cover such applications as commercial,industrial, and automotives areas.

We are looking forward to setting up business relationship with you and hope to provide you with the best service and solution. Let us make a better world for our industry!



Contact us

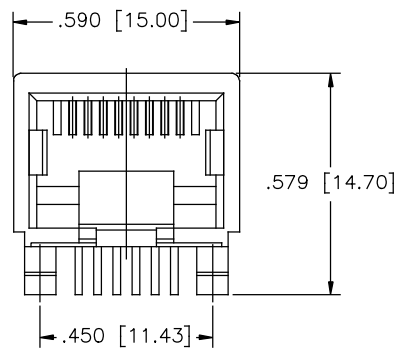
Tel: +86-755-8981 8866 Fax: +86-755-8427 6832

Email & Skype: info@chipsmall.com Web: www.chipsmall.com

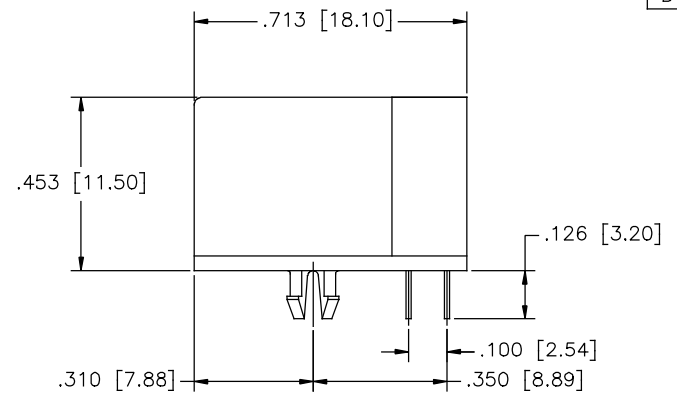
Address: A1208, Overseas Decoration Building, #122 Zhenhua RD., Futian, Shenzhen, China



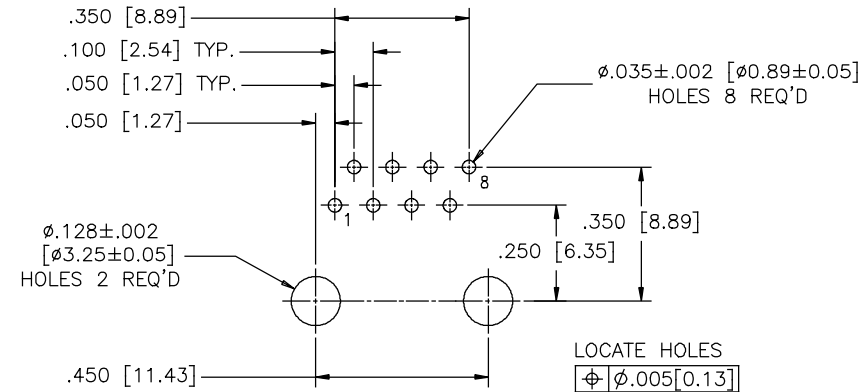
REVISIONS			
REV	DESCRIPTION, ECN, EAR NO.	DATE	APP'D
A	PROPOSAL	25/01/06	L.CHAN
B	CORRECT DRAWING	MAY.9/14	



FRONT VIEW



SIDE VIEW



RECOMMENDED P.C.B. LAYOUT
(COMPONENT SIDE OF BOARD)

LOCATE HOLES
 $\text{⌀} \text{ } \text{⌀}.005 [0.13]$
 POSITION DIMENSIONS
 ARE BASIC



MATERIALS:

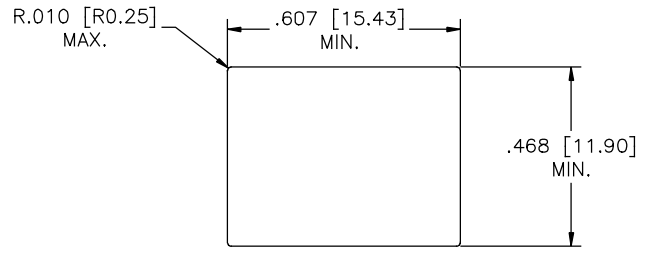
PLASTIC HOUSING: ENGINEERING THERMOPLASTIC
 FLAMMABILITY RATING UL94V-0. COLOUR, BLACK.

CONTACTS:

PHOSPHOR BRONZE
 PLATING: REFER TO PART NUMBER FOR GOLD THICKNESS ON MATING SURFACES.
 50 μ" [1.27 MICRONS] MIN. NICKEL UNDERPLATE.
 100 μ" [2.54 MICRONS] MIN. MATTE-TIN OR GOLD FLASH ON CONTACT TAILS.

AMPHENOL PART NUMBER: RJE05-188-0X10

GOLD PLATING
 1 = 6 μINCH
 2 = 15 μINCH
 3 = 30 μINCH
 4 = 50 μINCH



RECOMMENDED PANEL CUTOUT

UNLESS SPECIFIED OTHERWISE	DRAWN CHIGOW	25/01/06	Amphenol Canada Corp.	
PRIMARY UNITS INCHES	CHECKED L.CHAN	25/01/06	www.amphenolcanada.com	
SECONDARY MILLIMETERS	M.E. APP'D		RJE05 SERIES MODULAR JACK, 8 POSITION, 8 CONTACTS, UNSHIELDED ULTRA LOW PROFILE - RoHS COMPLIANT	
REFERENCE IN PARENTHESES	Q.A. APP'D		DWG NO.	P-RJE05-188-0X10
1 DECIMAL PLACE	DWG APP'D		REF.	
2 DECIMAL PLACES	ENG. REL. NO.		THIRD ANGLE PROJECTION	
3 DECIMAL PLACES ±0.015	REF.		DO NOT SCALE DRAWING	
ANGULAR DEGREES ±1.5'			CODE ID NO. 03554	DWG SIZE SCALE SHEET 1 OF 1