



Chipsmall Limited consists of a professional team with an average of over 10 year of expertise in the distribution of electronic components. Based in Hongkong, we have already established firm and mutual-benefit business relationships with customers from,Europe,America and south Asia,supplying obsolete and hard-to-find components to meet their specific needs.

With the principle of “Quality Parts,Customers Priority,Honest Operation,and Considerate Service”,our business mainly focus on the distribution of electronic components. Line cards we deal with include Microchip,ALPS,ROHM,Xilinx,Pulse,ON,Everlight and Freescale. Main products comprise IC,Modules,Potentiometer,IC Socket,Relay,Connector.Our parts cover such applications as commercial,industrial, and automotives areas.

We are looking forward to setting up business relationship with you and hope to provide you with the best service and solution. Let us make a better world for our industry!



## Contact us

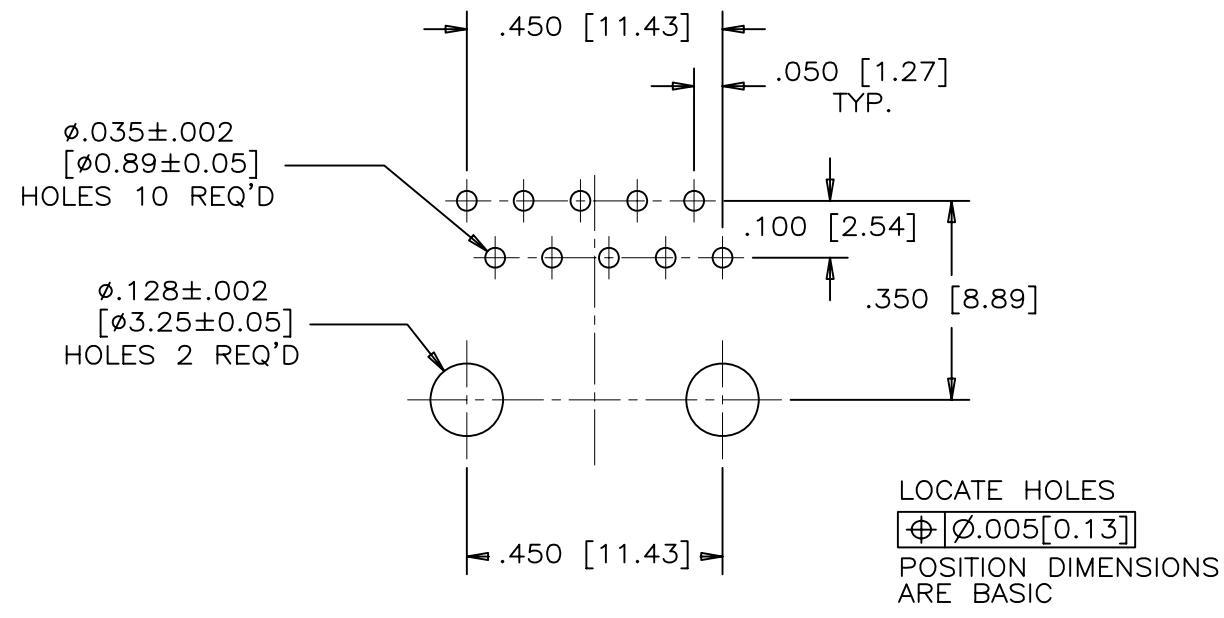
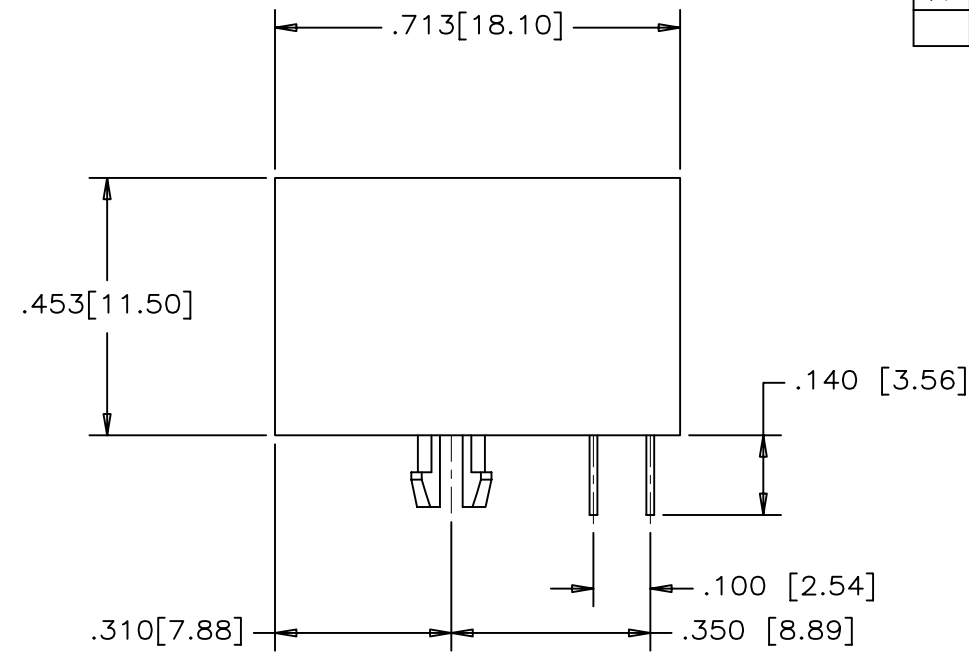
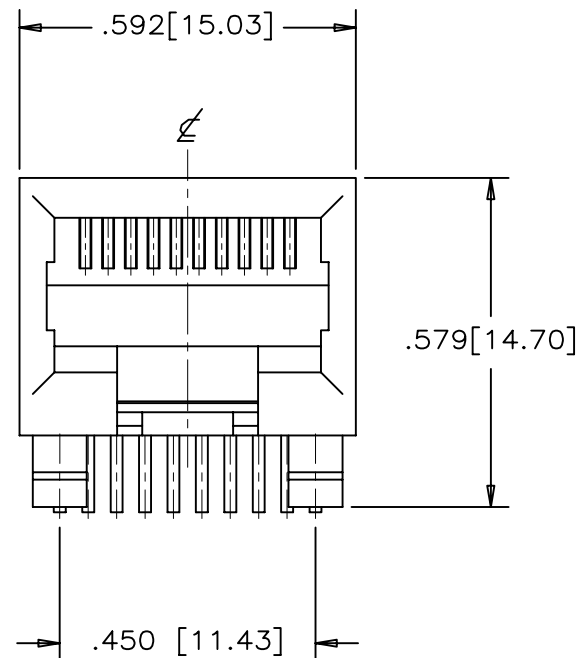
Tel: +86-755-8981 8866 Fax: +86-755-8427 6832

Email & Skype: info@chipsmall.com Web: www.chipsmall.com

Address: A1208, Overseas Decoration Building, #122 Zhenhua RD., Futian, Shenzhen, China



REVISIONS				
SYM	ZONE	ECN, ERN NO.	DATE	APPRD.
A		PROPOSAL	APR13/06	L.CHAN



RECOMMENDED P.C.B. LAYOUT  
(COMPONENT SIDE OF BOARD)

**MATERIALS:**

HOUSING: ENGINEERING THERMOPLASTIC RATING UL94V-0  
COLOUR: BLACK

CONTACTS: PHOSPHOR BRONZE

PLATING: MATING AREA: SELECTIVELY PLATED GOLD—PER PART NUMBER OPTIONS  
50 MICROINCHS [1.27 MICRONS] MIN. NICKEL OVERALL  
100 MICROINCHS [2.54 MICRONS] MIN. MATTE-TIN OVER TAIL

RECOMMENDED SOLDERING TEMPERATURE:  
WAVE SOLDERING AT 240°C MAXIMUM FOR 5 SEC MAXIMUM.

PART NUMBER: RJE05-1AA-0X10

- 1- 6μ" (0.15 MICRONS) GOLD
- 2- 15μ" (0.38 MICRONS) GOLD
- 3- 30μ" (0.78 MICRONS) GOLD
- 4- 50μ" (1.27 MICRONS) GOLD

DRAWN PAULW	DATE APR13/06	Amphenol Canada Corp.		
DESIGNED				
CHECKED CHIGOW	DATE APR13/06	TITLE		
I. E. APPRD.		SINGLE PORT MODULAR JACK, 10 POSITIONS, 10 CONTACTS - RoHS COMPLIANT		
Q. A. APPRD.		DWG	DRAWING NO.	REV.
DWG. APPRD.			P-RJE05-1AA-0X10	A
ENG. REL. NO.		SCALE	WT. -----	SURF. -----
REF. EAR # A060406				SHEET 1 OF 1
DIMENSIONS ARE IN INCHES [mm]	CODE ID. NO. 03554			

THIS DOCUMENT CONTAINS PROPRIETARY INFORMATION AND SUCH INFORMATION MAY NOT BE DISCLOSED TO OTHERS FOR ANY PURPOSE OR USED FOR MANUFACTURING PURPOSES WITHOUT WRITTEN PERMISSION FROM AMPHENOL CANADA CORP.