



Chipsmall Limited consists of a professional team with an average of over 10 year of expertise in the distribution of electronic components. Based in Hongkong, we have already established firm and mutual-benefit business relationships with customers from,Europe,America and south Asia,supplying obsolete and hard-to-find components to meet their specific needs.

With the principle of "Quality Parts,Customers Priority,Honest Operation,and Considerate Service",our business mainly focus on the distribution of electronic components. Line cards we deal with include Microchip,ALPS,ROHM,Xilinx,Pulse,ON,Everlight and Freescale. Main products comprise IC,Modules,Potentiometer,IC Socket,Relay,Connector.Our parts cover such applications as commercial,industrial, and automotives areas.

We are looking forward to setting up business relationship with you and hope to provide you with the best service and solution. Let us make a better world for our industry!



Contact us

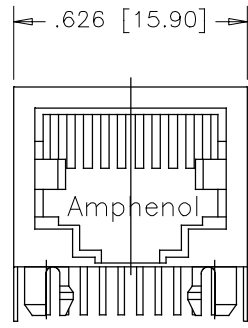
Tel: +86-755-8981 8866 Fax: +86-755-8427 6832

Email & Skype: info@chipsmall.com Web: www.chipsmall.com

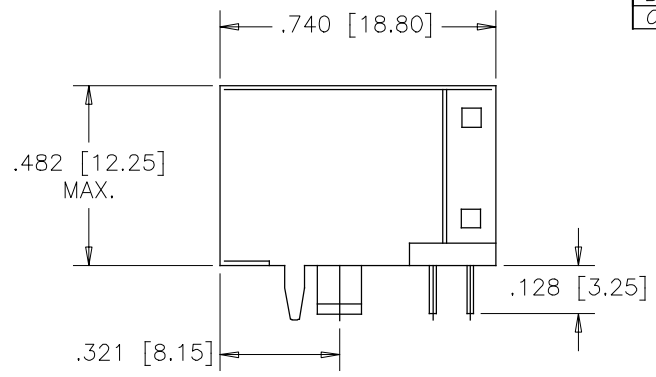
Address: A1208, Overseas Decoration Building, #122 Zhenhua RD., Futian, Shenzhen, China



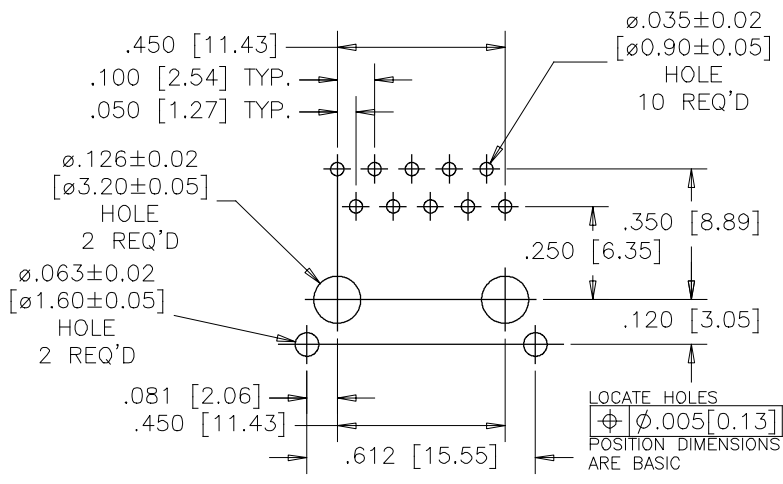
REVISIONS			
REV	DESCRIPTION, ECN, EAR NO.	DATE	APP'D
A	PROPOSAL	NOV 14/05	L.CHAN
B	PROPOSAL	OCT 09/06	L.CHAN
C	ADD UP AMPHENOL LOGO ACCORDING TO THE PRODUCTION	FEB 08/17	L.CHAN



FRONT VIEW



SIDE VIEW



RECOMMENDED P.C.B. LAYOUT
(COMPONENT SIDE OF BOARD)

NOTE:

HOUSING AND INSERT: ENGINEERING THERMOPLASTIC, FLAMMABILITY UL94V-0, COLOUR: BLACK

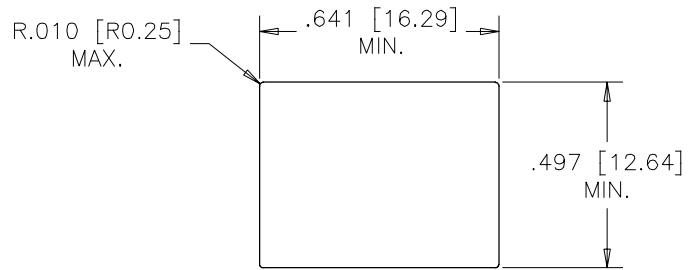
CONTACTS: PHOSPHOR BRONZE. GOLD PLATING: REFER TO AMPHENOL PART NUMBER SYSTEM FOR PLATING OPTIONS. 50 u" [1.27 MICRONS] MIN. NICKEL UNDERPLATE 100 u" [2.54 MICRONS] MIN. MATTE TIN ON CONTACT TAILS.

SHIELD: COPPER ALLOY PLATING: NICKEL OVER COPPER UNDERPLATED.

RECOMMENDED SOLDERING TEMPERATURE: WAVE SOLDERING OR REFLOW SOLDERING AT 240°C MAX. FOR 5 SEC MAX.

AMPHENOL PART NUMBER: RJE05-1AA-1X10

GOLD PLATING
1 = 6 uINCH
2 = 15 uINCH
3 = 30 uINCH
4 = 50 uINCH



RECOMMENDED PANEL CUTOUT

UNLESS SPECIFIED OTHERWISE		DRAWN Chigow Xu	DATE 02/09/06	Amphenol Canada Corp. www.amphenolcanada.com
PRIMARY UNITS INCH	CHECKED L.CHAN	DATE 02/09/06	TITLE RJE05 SERIES MODULAR JACK, 10 POSITION, 10 CONTACTS, SHIELDED -RoHS COPLIANT	
SECONDARY MILLIMETER	M.E. APP'D			DWG. NO. P-RJE05-1AA-1X10
REFERENCE IN PARENTHESES	Q.A. APP'D			
GENERAL TOLERANCES	DWG APPR.			REV C
1 DECIMAL PLACE ±0.30	ENG. REL. NO.			
2 DECIMAL PLACES ±0.25	REF.			
3 DECIMAL PLACES ±0.20	THIRD ANGLE PROJECTION			
ANGULAR DEGREES ±1.0°	DO NOT SCALE DRAWING			