



Chipsmall Limited consists of a professional team with an average of over 10 year of expertise in the distribution of electronic components. Based in Hongkong, we have already established firm and mutual-benefit business relationships with customers from,Europe,America and south Asia,supplying obsolete and hard-to-find components to meet their specific needs.

With the principle of "Quality Parts,Customers Priority,Honest Operation,and Considerate Service",our business mainly focus on the distribution of electronic components. Line cards we deal with include Microchip,ALPS,ROHM,Xilinx,Pulse,ON,Everlight and Freescale. Main products comprise IC,Modules,Potentiometer,IC Socket,Relay,Connector.Our parts cover such applications as commercial,industrial, and automotives areas.

We are looking forward to setting up business relationship with you and hope to provide you with the best service and solution. Let us make a better world for our industry!



## Contact us

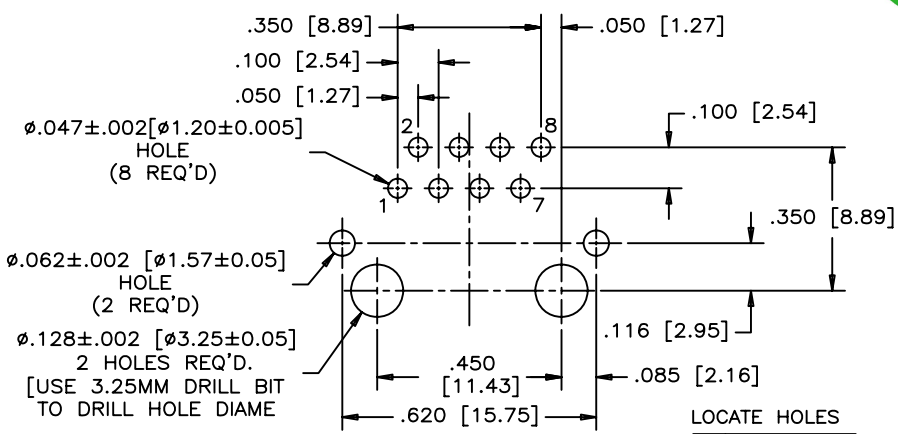
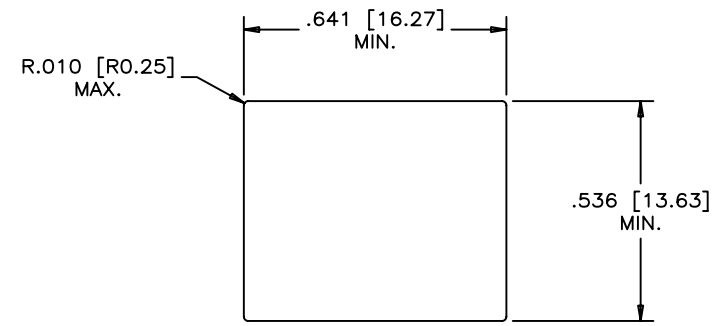
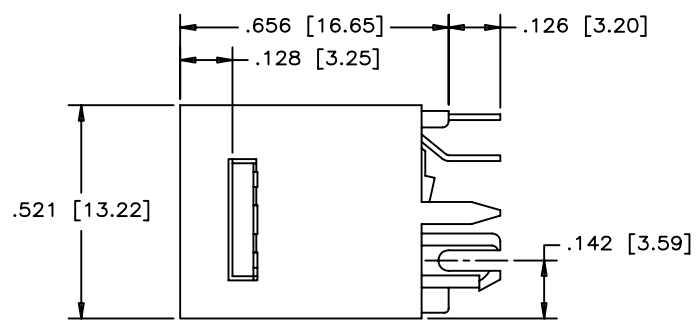
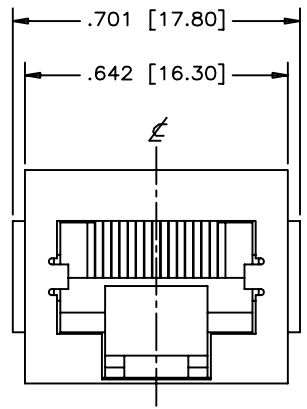
Tel: +86-755-8981 8866 Fax: +86-755-8427 6832

Email & Skype: info@chipsmall.com Web: www.chipsmall.com

Address: A1208, Overseas Decoration Building, #122 Zhenhua RD., Futian, Shenzhen, China



REVISIONS				
SYM	ZONE	ECN, ERN NO.	DATE	APPRD.
B		PROPOSAL	MAY15/06	LCHAN
C		PROPOSAL	JUN19/08	LCHAN



RECOMMENDED P.C.B. LAYOUT  
(COMPONENT SIDE OF BOARD)

LOCATE HOLES  
 $\varnothing \pm 0.005 [0.13]$   
 HOLE POSITIONS  
 ARE BASIC

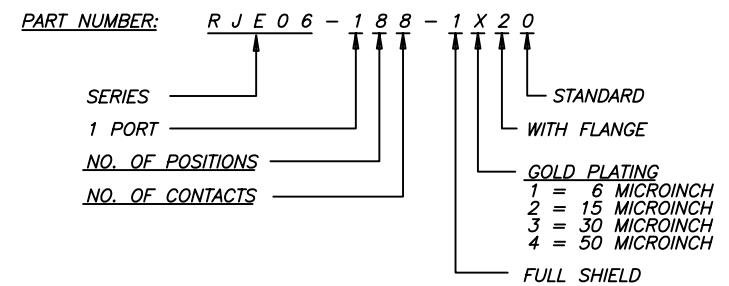
**MATERIALS:**

HOUSING: ENGINEERING THERMOPLASTIC  
 FLAMMABILITY RATING UL94V-0  
 COLOR: BLACK

CONTACTS: PHOSPHOR BRONZE

PLATING: REFER TO PART NUMBER FOR GOLD THICKNESS  
 ON MATING SURFACE  
 50 MICROINCH [1.27 MICRONS] MIN. NICKEL OVERALL  
 100 MICROINCH [2.54 MICRONS] MIN. MATTE-TIN  
 OR GOLD FLASH OVER TAIL

SHIELD: COPPER ALLOY WITH NICKEL PLATED



THIS DOCUMENT CONTAINS PROPRIETARY INFORMATION AND SUCH INFORMATION  
 MAY NOT BE DISCLOSED TO OTHERS FOR ANY PURPOSE OR USED FOR MANUFACTURING  
 PURPOSES WITHOUT WRITTEN PERMISSION FROM AMPHENOL CANADA CORP.

DRAWN PAULW	DATE MAY15/06
DESIGNED	
CHECKED CHIGOW	DATE MAY15/06
I. E. APPRD.	
Q. A. APPRD.	
DWG. APPRD.	
ENG. REL. NO.	
REF. EAR # A060504	
DIMENSIONS ARE IN INCHES [mm]	CODE ID. NO. 03554

<b>Amphenol Canada Corp.</b>	
TITLE RJE06 SERIES, 8 POSITION 8 CONTACT, VERTICAL MOUNT, WITH SHIELD, AND FLANGE - RoHS COMPLIANT	
DWG	DRAWING NO. P-RJE06-188-1X20
REV.	C
SCALE	WT. _____ SURF. _____ SHEET 1 OF 1