



Chipsmall Limited consists of a professional team with an average of over 10 year of expertise in the distribution of electronic components. Based in Hongkong, we have already established firm and mutual-benefit business relationships with customers from,Europe,America and south Asia,supplying obsolete and hard-to-find components to meet their specific needs.

With the principle of “Quality Parts,Customers Priority,Honest Operation,and Considerate Service”,our business mainly focus on the distribution of electronic components. Line cards we deal with include Microchip,ALPS,ROHM,Xilinx,Pulse,ON,Everlight and Freescale. Main products comprise IC,Modules,Potentiometer,IC Socket,Relay,Connector.Our parts cover such applications as commercial,industrial, and automotives areas.

We are looking forward to setting up business relationship with you and hope to provide you with the best service and solution. Let us make a better world for our industry!



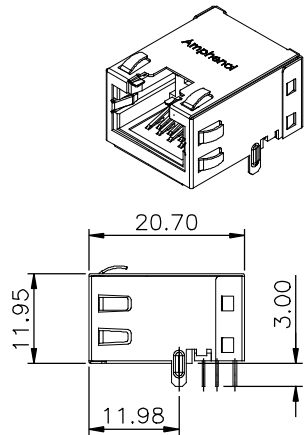
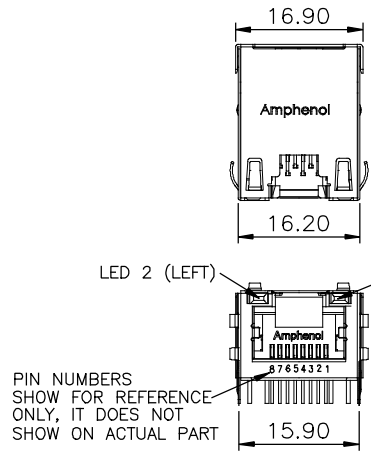
Contact us

Tel: +86-755-8981 8866 Fax: +86-755-8427 6832

Email & Skype: info@chipsmall.com Web: www.chipsmall.com

Address: A1208, Overseas Decoration Building, #122 Zhenhua RD., Futian, Shenzhen, China

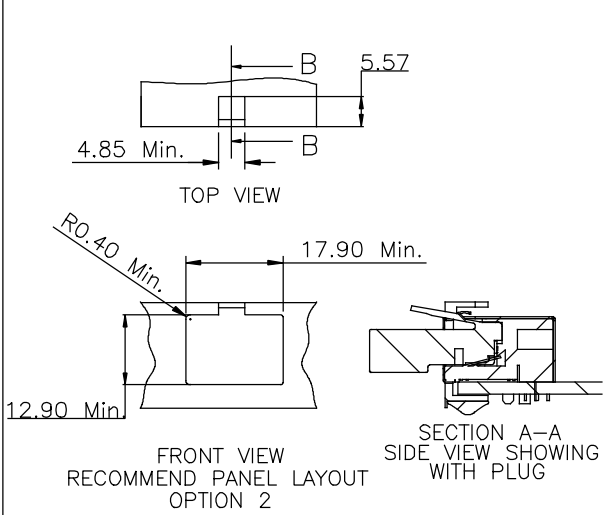
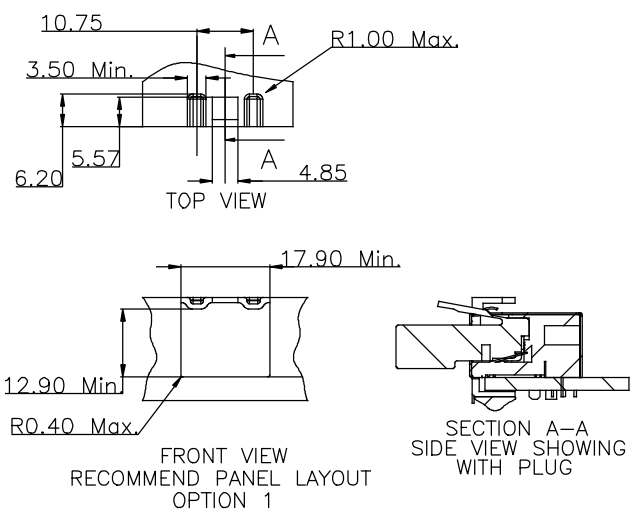




REVISIONS			
REV	ECN, ERN NO.	DATE	APPRD.
A	PROPOSAL DRAWING	FEB. 28, 2015	L.CHAN

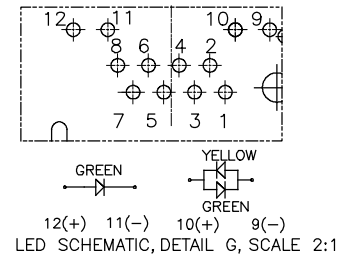
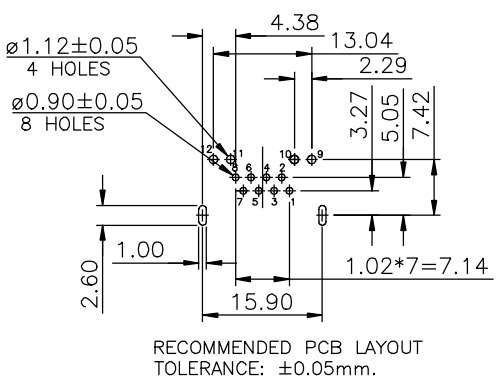
NOTES:
 ELECTRICAL:
 1. VOLTAGE RATING : 125 VAC.
 2. CURRENT RATING : 1.25 AMP.
 3. INSULATING RESISTANCE : 500 MEGOHMS MINIMUM.
 4. DIELECTRIC STRENGTH : 1000 VAC 60Hz, 1MIN.
 5. CATEGORY 6 CHARACTERISTIC:
 Frequency Near-End Crosstalk Return Loss Attenuation

MHz	dB, MIN.	dB, MIN.	dB, MAX.
1.0	75.0	30.0	0.1
4.0	75.0	30.0	0.1
8.0	75.0	30.0	0.1
10.0	74.0	30.0	0.1
16.0	69.9	30.0	0.1
20.0	68.0	30.0	0.1
25.0	66.0	30.0	0.1
31.25	64.1	30.0	0.11
62.5	58.1	28.1	0.16
100.0	54.0	24.0	0.20
200.0	48.0	18.0	0.28
250.0	46.0	16.0	0.32



MECHANICAL:
 1. SHIELD : STAINLESS STEEL, WITH TIN-DIP ON SOLDER TABS.
 2. HOUSING : HIGH TEMP THERMOPLASTIC, UL 94V-0.
 3. INSERT : HIGH TEMP THERMOPLASTIC UL 94V-0.
 4. PCB : FR-4.
 5. CONTACT : PHOSPHOR BRONZE.
 30u" SELECTIVE GOLD PLATING FOR MATING SURFACE,
 50u" NICKEL UNDERPLATE
 100u" MATTE TIN PLATING ON CONTACT SOLDER TAIL.

ENVIRONMENTAL:
 1. STORAGE : -40° TO +85°.
 2. OPERATION : -40° TO +85°.
 MATES WITH MODULAR PLUG CONFORMING TO FCC PART 68, SUBPART F.
 RECOMMENDED SOLDER PROCESS: WAVE SOLDER, PEAK TEMPERATURE 260° FOR 10 SECOND.



AMPHENOL PART NUMBER: RJE49-188-1XX1
 GOLD PLATING OPTION _____ REFER TO LED OPTIONS DRAWING P-RJE49-LEDS FOR ORDERING CODES
 1=6u" [0.15 MICRONS] GOLD PLATING
 2=15u" [0.38 MICRONS] GOLD PLATING
 3=30u" [0.76 MICRONS] GOLD PLATING
 4=50u" [1.27 MICRONS] GOLD PLATING

LED SPECIFICATIONS:
 FORWARD VOLTAGE: 2.2 VOLTS TYP
 REVERSE VOLTAGE: 5.0 VOLTS
 LUMINOUS INTENSITY: 4 mcd MIN. (AT IF =20mA)

UNLESS OTHERWISE SPECIFIED		DATE
DIMENSION ARE IN mm		FEB28/2015
FRACTION DECIMALS ANGLES		FEB28/2015
.X ±0.50	.X' ±3.0°	
.XX ±0.30	.X' ±2.0°	
.XXX ±0.10	.XX' ±1.0°	
3rd ANGLE PROJECTION		

DRAWN JUSTIN.FENG		DATE FEB28/2015		Amphenol Canada Corp.	
DESIGNED JUSTIN.FENG		DATE FEB28/2015			
CHECKED L.CHAN		DATE FEB28/2015		TITLE	
I. E. APPRD.				MODULAR JACK, SINGLE PORTS, 8 POSITIONS, 8 CONTACTS, SHIELDED WITH TOP & SIDE TABS, WITH LED, TAB UP, CAT6-RoHS COMPLIANT	
Q. A. APPRD.				DWG	
DWG. APPRD.				DRAWING NO.	
ENG. REL. NO.				P-RJE49-188-1XX1	
REF.				REV.	
DIMENSIONS ARE IN mm		CODE ID. NO. 03554		A	
SCALE 4/1		WT. -----		SURF. -----	
				SHEET 1 OF 1	

THIS DOCUMENT CONTAINS PROPRIETARY INFORMATION AND SUCH INFORMATION MAY NOT BE DISCLOSED TO OTHERS FOR ANY PURPOSE OR USED FOR MANUFACTURING PURPOSES WITHOUT WRITTEN PERMISSION FROM AMPHENOL CANADA CORP.