



Chipsmall Limited consists of a professional team with an average of over 10 year of expertise in the distribution of electronic components. Based in Hongkong, we have already established firm and mutual-benefit business relationships with customers from,Europe,America and south Asia,supplying obsolete and hard-to-find components to meet their specific needs.

With the principle of “Quality Parts,Customers Priority,Honest Operation,and Considerate Service”,our business mainly focus on the distribution of electronic components. Line cards we deal with include Microchip,ALPS,ROHM,Xilinx,Pulse,ON,Everlight and Freescale. Main products comprise IC,Modules,Potentiometer,IC Socket,Relay,Connector.Our parts cover such applications as commercial,industrial, and automotives areas.

We are looking forward to setting up business relationship with you and hope to provide you with the best service and solution. Let us make a better world for our industry!



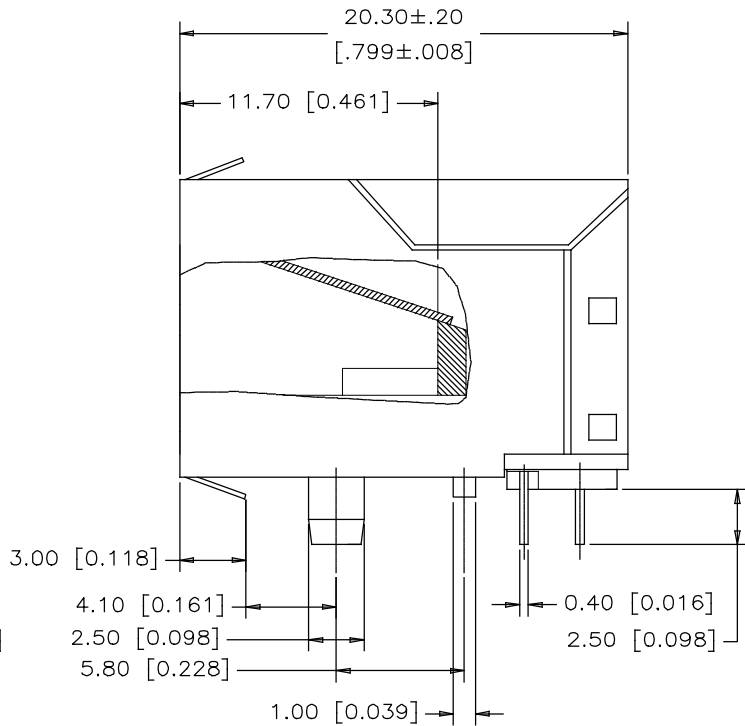
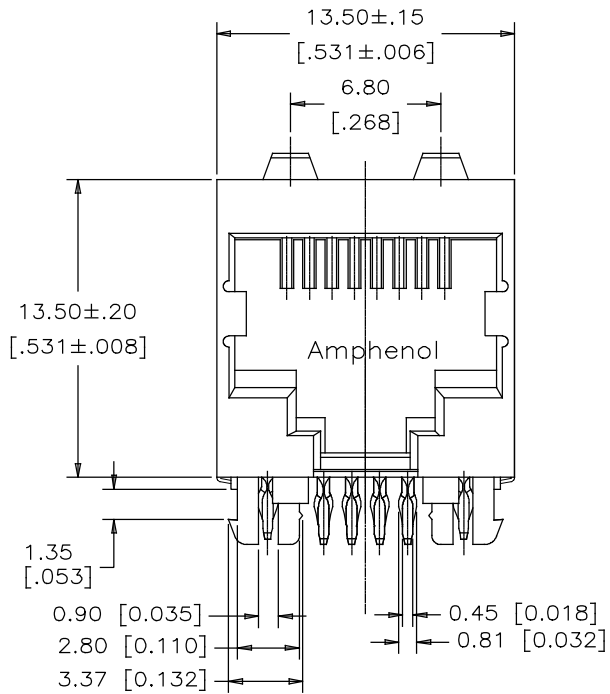
Contact us

Tel: +86-755-8981 8866 Fax: +86-755-8427 6832

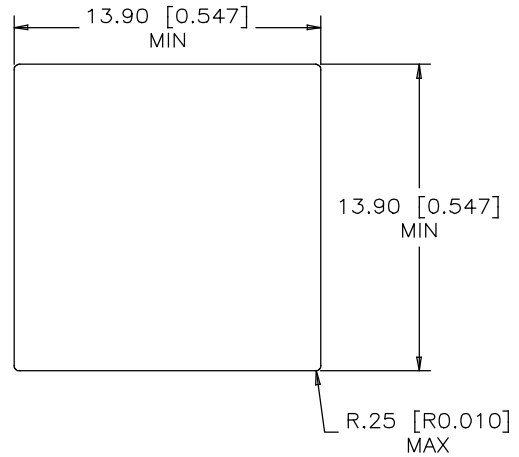
Email & Skype: info@chipsmall.com Web: www.chipsmall.com

Address: A1208, Overseas Decoration Building, #122 Zhenhua RD., Futian, Shenzhen, China

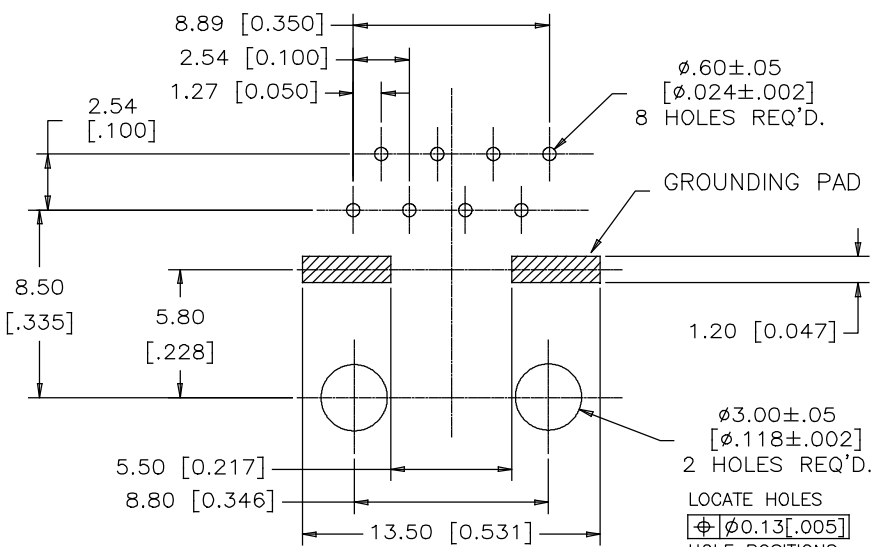




REVISIONS				
SYM	ZONE	ECN, ERN NO.	DATE	APPRD.
E		POPROSAL	OCT 21/08	L.CHAN
F		POPROSAL	NOV 7/08	L.CHAN
G		POPROSAL	DEC 1/08	L.CHAN
H		REVISED DRAWING	DEC 11/13	L.CHAN



RECOMMENDED PANEL CUTOUT



RECOMMENDED P.C.B LAYOUT
(COMPONENT SIDE OF BOARD)

- 1. MATERIALS:**
PLASTIC HOUSING: ENGINEERING THERMOPLASTIC
 FLAMMABILITY RATING UL94V-0
 COLOR: BLACK
CONTACTS: PHOSPHOR BRONZE
PLATING: GOLD PLATED PER PART NUMBER OPTION
 ON MATING SURFACE
 50 μ " [1.27 MICRONS] MIN. NICKEL UNDERPLATE.
 100 μ " [2.54 MICRONS] MIN. TIN-LEAD
 ON CONTACT TAILS.
SHIELD: STAINLESS STEEL.

2. THE REMOVAL FORCE OF PRESS FIT CONTACT SHOULD BE IN RANGE OF 10N PER PIN.

PART NUMBER: RJE56-188-1X10

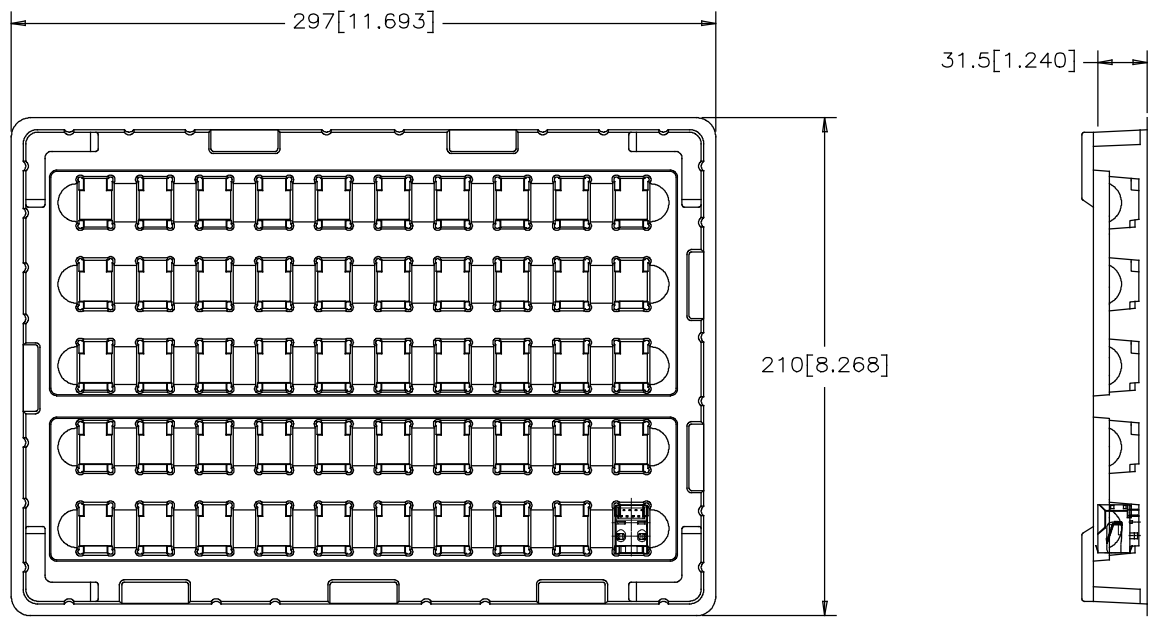
- GOLD PLATING**
 1 = 6 MICROINCH
 2 = 15 MICROINCH
 3 = 30 MICROINCH
 4 = 50 MICROINCH

DRAWN	J.OUYANG	DATE	OCT 5/07
DESIGNED			
CHECKED	L.CHAN	DATE	OCT 5/07
I. E. APPRD.	JEFF.S	DATE	OCT 5/07
Q. A. APPRD.	BORIS	DATE	OCT 5/07
DWG. APPRD.			
ENG. REL. NO.	ECN E07361		
REF.	EAR #A070910		
DIMENSIONS ARE IN		CODE ID. NO.	
mm [INCH]		03554	

Amphenol Canada Corp.		
TITLE		
RJE56 SERIES, 8 POSITION, 8 CONTACTS, WITH SHIELD		
DWG	DRAWING NO.	REV.
	P-RJE56-188-1X10	H
SCALE	WT.	SURF.
		SHEET 1 OF 2

THIS DOCUMENT CONTAINS PROPRIETARY INFORMATION AND SUCH INFORMATION MAY NOT BE DISCLOSED TO OTHERS FOR ANY PURPOSE OR USED FOR MANUFACTURING PURPOSES WITHOUT WRITTEN PERMISSION FROM AMPHENOL CANADA CORP.

E		F		
REVISIONS				
SYM	ZONE	ECN, ERN NO.	DATE	APPRD.
E		POPROSAL	OCT 21/08	L.CHAN
F		POPROSAL	NOV 7/08	L.CHAN
G		POPROSAL	DEC 1/08	L.CHAN
H		REVISED DRAWING	DEC 11/13	L.CHAN



PACKAGING NOTES:

- ONE TRAY SHOULD HOLD 50 CONNECTORS.
- A FULLY LOADED CARTON SHOULD CONTAIN 10 TRAY (500 PCS) OF CONNECTORS.

THIS DOCUMENT CONTAINS PROPRIETARY INFORMATION AND SUCH INFORMATION MAY NOT BE DISCLOSED TO OTHERS FOR ANY PURPOSE OR USED FOR MANUFACTURING PURPOSES WITHOUT WRITTEN PERMISSION FROM AMPHENOL CANADA CORP.

DRAWN	J.OUYANG	DATE	OCT 5/07	Amphenol Canada Corp. TITLE RJE56 SERIES, 8 POSITION, 8 CONTACTS, WITH SHIELD			
DESIGNED							
CHECKED	L.CHAN	DATE	OCT 5/07				
I. E. APPRD.	JEFF.S	DATE	OCT 5/07				
Q. A. APPRD.	BORIS	DATE	OCT 5/07				
DWG. APPRD.				DWG	DRAWING NO.	REV.	
ENG. REL. NO.	ECN E07361				P-RJE56-188-1X10	H	
REF.	EAR #A070910			SCALE	WT.	SURF.	SHEET 2 OF 2
DIMENSIONS ARE IN		CODE ID. NO.	03554				
mm [INCH]							